

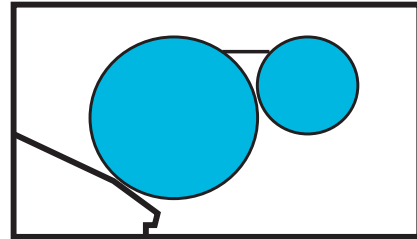
Date of Installation : \_\_\_\_\_

Unit Serial Number : \_\_\_\_\_

Kompac Dealer : \_\_\_\_\_

PRINTERS PARTS  
800-543-1117 201-935-9595  
fax 800-392-4072 201-935-5333  
www.ppsnj.com

# ***VARN* Kompac<sup>®</sup>**



**MODEL : AB 3850**  
PARTS CATALOG # 90302 REV.A

# AB 3850 PARTS CATALOG

P/N 90302

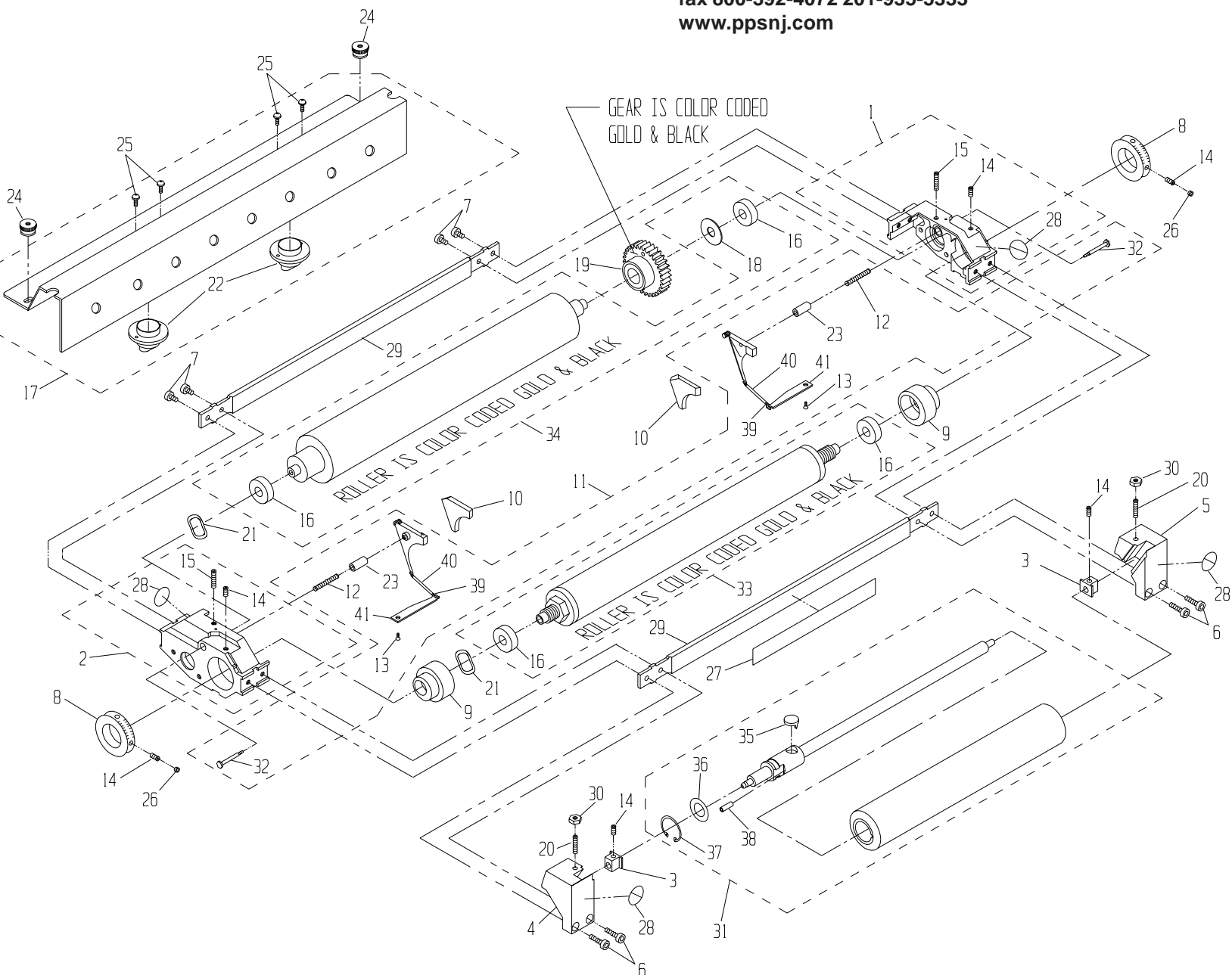
**PRINTERS PARTS**

**800-543-1117 201-935-9595**

**fax 800-392-4072 201-935-5333**

**www.ppsnj.com**

REV	DESCRIPTION	ECN	BY	DATE
A	UPDATED TO NEW PARTS CATALOG FORMAT	1131	MJC	9-12-95

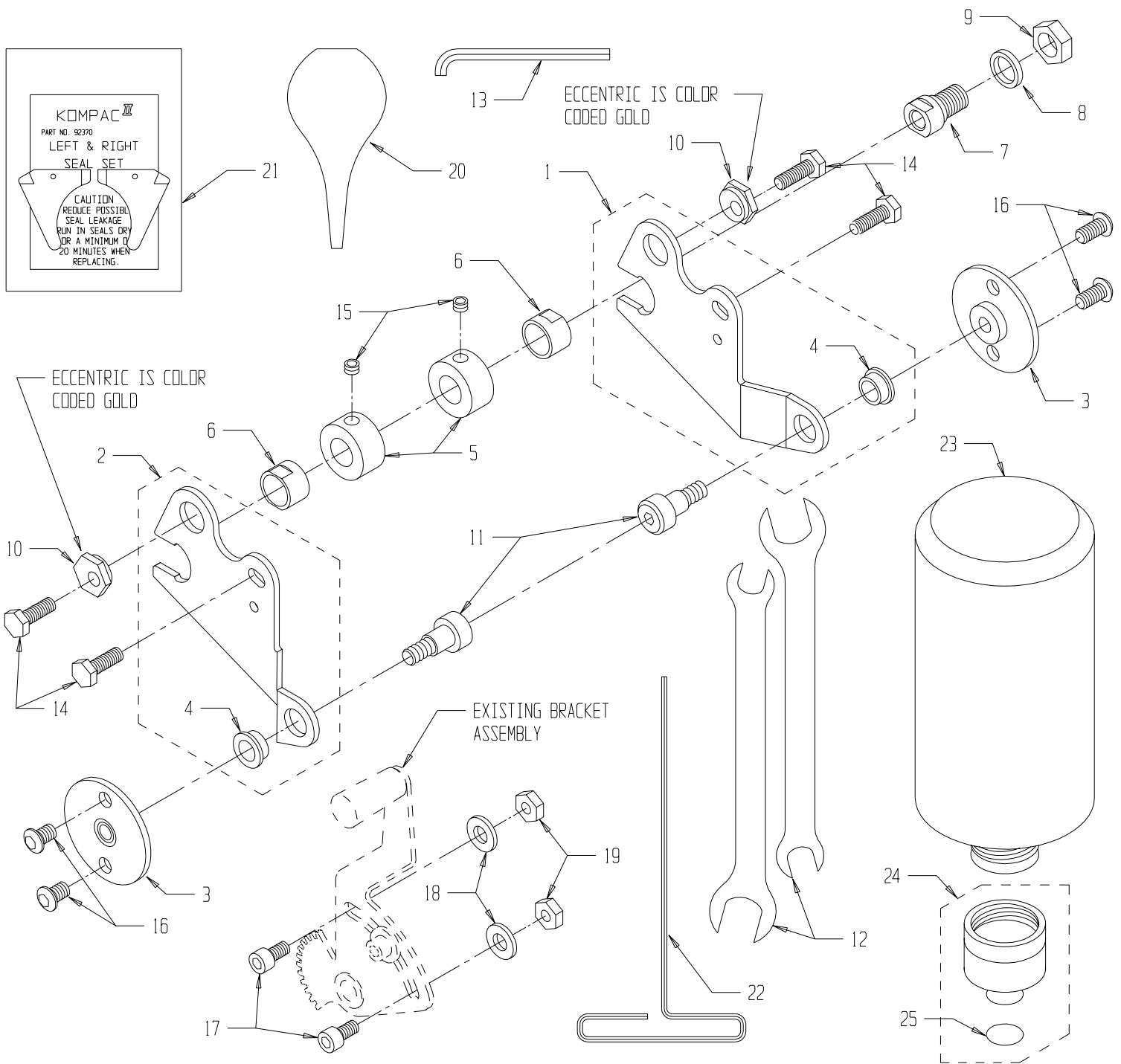


\* PART IS INCLUDED IN OUTLINED SUBASSEMBLY.

ITEM#	PART #	DESCRIPTION	QTY
41	92234	TAB	*
40	92259	SPRING COVER	*
39	92236	TAB SPRING	*
38	91949	SPRING PIN	*
37	91997	OSC. RETAINING CLIP	*
36	91965	OSC. RETAINING WASHER	*
35	91111	OSC. DRIVE SHAFT FOLLOWER	*
34	92720	23-1/4" FORM ROLLER W/B	1
33	92710	23-1/4" METERING ROLLER W/B	1
32	92303	SHOULDER SCREW	*
31	91308	23-1/4" OSC. ROLL. PARTS ASSY	1

30	91982	#10-32 NUT	2
29	92502	23-1/4" TIE BAR	2
28	92601	INWARD NIP SYMBOL	2*
27	92494	WARNING STICKER	1
26	91810	#10-24 X 1/8 SLOT SET SCW	2
25	91806	#6-32 X 3/8 PHILLIPS HD SCW	*
24	92691	COVER NUT	2
23	92304	GUIDE PIN	*
22	92604	NOZZLE	*
21	92491	WAVE WASHER	2
20	91851	#10-32 x 1 SET SCREW	2
19	92940	GEAR CLUTCH ASSY, AB 8580	1
18	92415	THRUST WASHER	*
17	91380	23-1/4" OSC. COVER ASSEMBLY	1
16	92401	BEARING	*

15	91814	#10-24 X 3/4 STUD	*
14	91811	#10-24 X 1/4 SET SCREW	4*
13	91802	#3-48 X 1/4 FLAT HD SCREW	*
12	92238	COMPRESSION SPRING	*
11	92290	BACKING PLATE KIT (L & R)	1
10	92370	SEAL SET (L & R)	1
9	92291	ECCENTRIC	2
8	92222	METERING GAUGE	2
7	91816	#10-24 x 3/8 BUTTON HD SCREW	4
6	91829	#10-24 x 11/16 SOCKET HD SCW	4
5	91017	R.H. OSC. END BLOCK	1
4	91018	L.H. OSC. END BLOCK	1
3	91219	ALIGNMENT BLOCK	2
2	92210	L.H. END FRAME ASSY	1
1	92200	R.H. END FRAME ASSY	1



\* PART IS INCLUDED IN OUTLINED SUBASSEMBLY.

<b>PRINTERS PARTS</b>			
<b>800-543-1117 201-935-9595</b>			
<b>fax 800-392-4072 201-935-5333</b>			
<b>www.ppsnj.com</b>			
ITEM	PART NO.	DESCRIPTION	QTY.
25	92765	O-RING	*
24	92760	DISPENSING VALVE ASSY	1
23	92771	CALIBRATED BOTTLE	1
22	90755	3/32" T-WRENCH	1
21	92370	KOMPAC SEAL SET (L & R)	1
20	92778	KOMPAC SYRINGE	1
19	91972	1/4"-20 NUT, LOCKING	2
18	91962	WASHER, NO. 12	2
17	91875	1/4"-20x3/8" SOCKET HEAD SCREW	2
16	91895	1/4"-28x3/8" BUTTON HD SCREW	4

15	91870	BRASS TIPPED SET SCREW	2
14	91867	1/4"-20x1/2" HEX HD SCREW	4
13	93708	3/16" ALLEN WRENCH	1
12	93555	KOMPAC WRENCH	2
11	93804	SHOULDER SCREW	2
10	93543	BRACKET ECCENTRIC	2
9	91980	7/16"-20 NUT	1
8	93612	BEARING BOLT SLEEVE	1
7	93812	BEARING BOLT	1
6	93818	ECCENTRIC SHAFT BUSHING	2
5	91910	9/16" COLLAR	2
4	93816	FLANGE BEARING	*
3	93800	BOLT RETAINER ASSY	2
2	93810	LH MOUNTING BRACKET ASSY	1
1	93820	RH MOUNTING BRACKET ASSY	1
ITEM	PART NO.	DESCRIPTION	QTY.