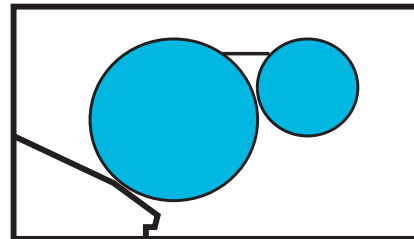


Date of Installation : \_\_\_\_\_

Unit Serial Number : \_\_\_\_\_

Kompac Dealer : **PRINTERS PARTS**  
**800-543-1117 201-935-9595**  
**fax 800-392-4072 201-935-5333**  
**www.ppsnj.com**

***VARN***  
**Kompac<sup>®</sup>**



**MODEL : AB 5060**  
**PARTS CATALOG # 90192 REV.A**

**PRINTERS PARTS**  
**800-543-1117 201-935-9595**  
**fax 800-392-4072 201-935-5333**  
**www.ppsnj.com**

# AB 5060 PARTS CATALOG

P/N 90192

**PRINTERS PARTS**

**800-543-1117 201-935-9595**

**fax 800-392-4072 201-935-5333**

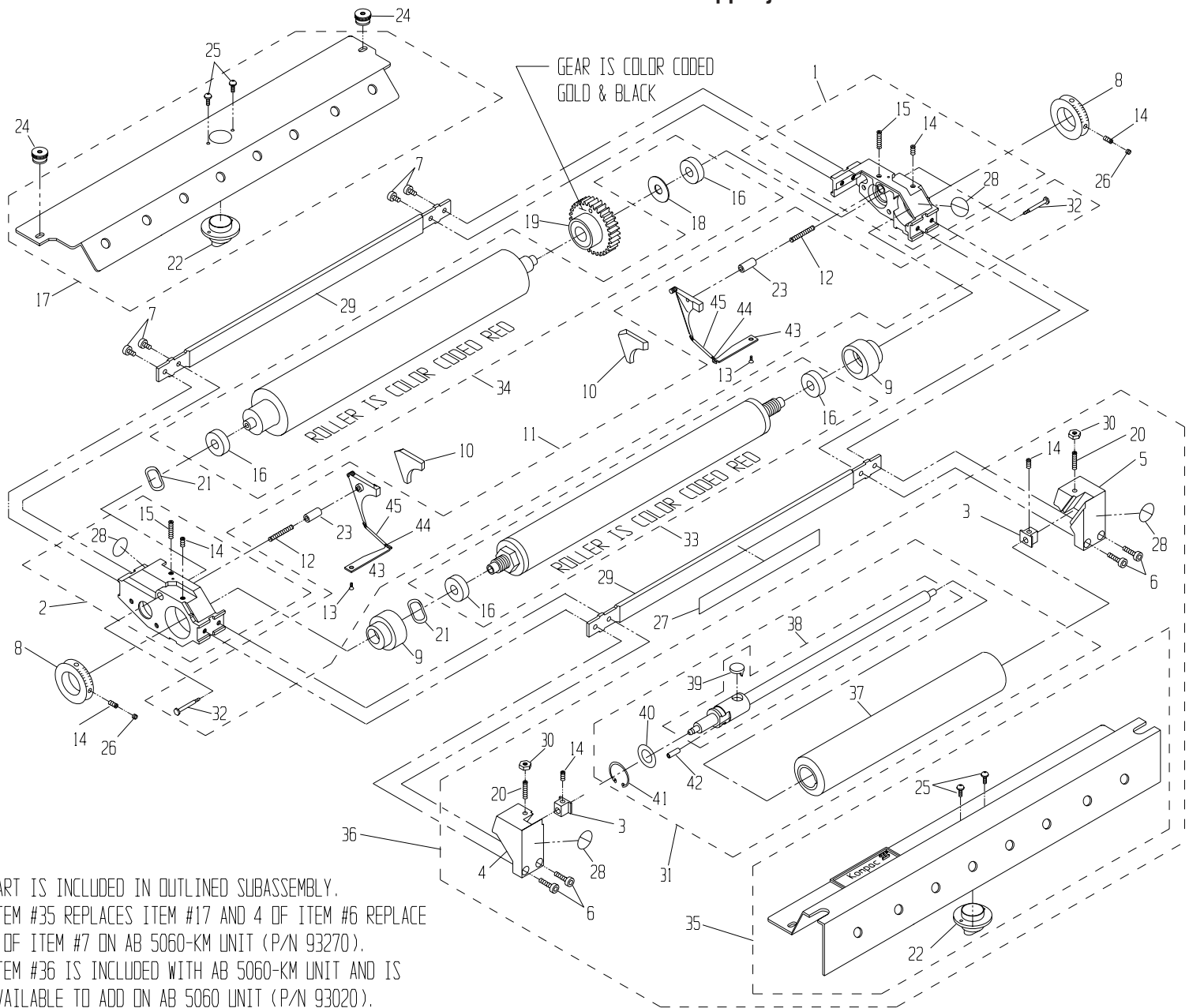
**www.ppsnj.com**

REV	DESCRIPTION	ECN	BY	DATE
A	UPDATED TO NEW PARTS CATALOG FORMAT	1108	MJC	5-25-95

AB 5060 UNIT: P/N 93020  
 AB 5060-KM UNIT: P/N 93270

PRINTERS PARTS  
 800-543-1117 201-935-9595  
 fax 800-392-4072 201-935-5333  
 www.ppsnj.com

PARTS CATALOG #90192 REV A

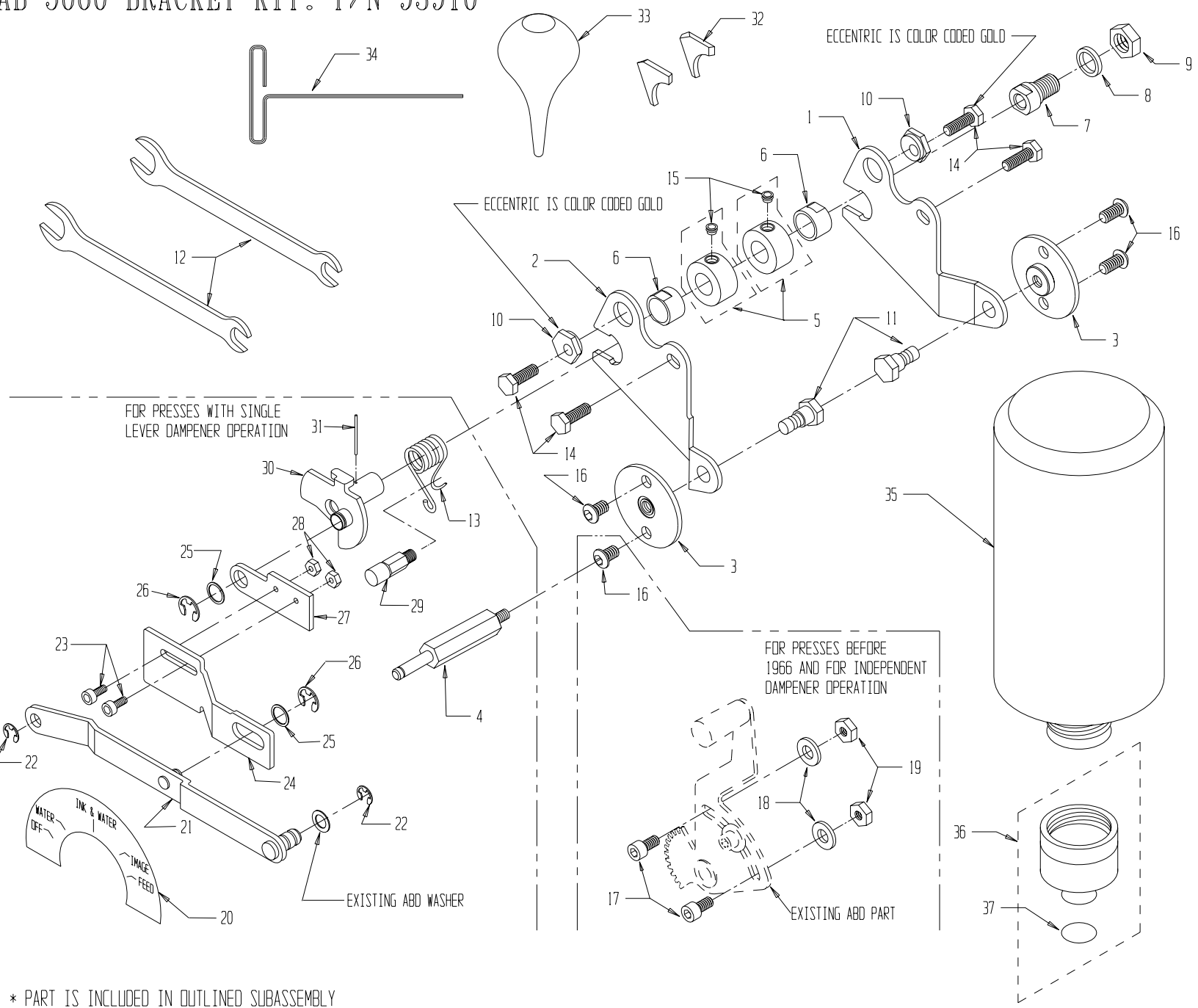


- \* PART IS INCLUDED IN OUTLINED SUBASSEMBLY.
- \*\* ITEM #35 REPLACES ITEM #17 AND 4 OF ITEM #6 REPLACE 4 OF ITEM #7 ON AB 5060-KM UNIT (P/N 93270).
- \*\*\* ITEM #36 IS INCLUDED WITH AB 5060-KM UNIT AND IS AVAILABLE TO ADD ON AB 5060 UNIT (P/N 93020).

45	92259	SPRING COVER	*
44	92236	BACKING PLATE TAB SPRING	*
43	92234	BACKING PLATE TAB	*
42	91949	SPRING PIN	*
41	91997	OSC. RETAINING CLIP	*
40	91965	OSC. RETAINING WASHER	*
39	91111	OSC. DRIVE SHAFT FOLLOWER	*
38	91220	OSCILLATOR SHAFT ASSY, 11"	*
37	91120	OSCILLATOR ROLLER, 11"	*
36	96520	KOLORMATE MODEL 20	***
35	91320	11-1/8" OSC COVER ASSY	**
34	92430	11-1/8" FORM ROLLER W/B	1
33	92420	11-1/8" METERING ROLLER W/B	1
32	92303	SHOULDER SCREW	*
31	91302	11-1/8" OSC ROLL PARTS ASSY	1
ITEM#	PART #	DESCRIPTION	QTY

30	91982	#10-32 NUT	2
29	92493	11-1/8" TIE BAR	2
28	92601	INWARD NIP SYMBOL	2*
27	92494	WARNING STICKER	1
26	91810	#10-24 X 1/8 SLOT SET SCW	2
25	91806	#6-32 X 3/8 PHILLIPS HD SCW	*
24	92691	COVER NUT	2
23	92304	GUIDE PIN	*
22	92604	NOZZLE	*
21	92491	WAVE WASHER	2
20	91851	#10-32 x 1 SET SCREW	2
19	92940	GEAR CLUTCH ASSY, AB 8580	1
18	92415	THRUST WASHER	*
17	92600	11" COVER ASSEMBLY	**
16	92401	BEARING	*
ITEM#	PART #	DESCRIPTION	QTY

15	91814	#10-24 X 3/4 STUD	*
14	91811	#10-24 X 1/4 SET SCREW	4*
13	91802	#3-48 X 1/4 FLAT HD SCREW	*
12	92238	COMPRESSION SPRING	*
11	92290	BACKING PLATE KIT (L & R)	1
10	92370	SEAL SET (L & R)	1
9	92291	ECCENTRIC	2
8	92222	METERING GAUGE	2
7	91818	#10-24 x 3/8 SOCKET HD SCREW	8**
6	91829	#10-24 x 11/16 SDC HD SCREW	4**
5	91017	R.H. OSC. END BLOCK	1
4	91018	L.H. OSC. END BLOCK	1
3	91219	ALIGNMENT BLOCK	2
2	92210	L.H. END FRAME ASSY	1
1	92200	R.H. END FRAME ASSY	1
ITEM#	PART #	DESCRIPTION	QTY



\* PART IS INCLUDED IN OUTLINED SUBASSEMBLY

ITEM#	PART #	DESCRIPTION	QTY
<b>PRINTERS PARTS</b>			
<b>800-543-1117 201-935-9595</b>			
<b>fax 800-392-4072 201-935-5333</b>			
<b>www.ppsnj.com</b>			
37	92765	O-RING	*
36	92760	DISPENSING VALVE ASSY	1
35	92771	CALIBRATED BOTTLE	1
34	90755	3/32 WRENCH	1
33	92778	KOMPAC SYRINGE	1
32	92370	KOMPAC SEAL SET	1
31	91943	3/32 x 1 ROLL PIN	1

30	93787	POSITIVE STOP ASSY	1
29	93809	STOP BOLT	1
28	91968	10-24 LOCK NUT	2
27	93799	ABD SHORT LINK	1
26	91995	3/8 E-RING	2
25	91956	SPACER WASHER	2
24	93801	ABD LONG LINK	1
23	91818	10-24 x 3/8 SOCKET CAP SCW	2
22	91994	5/16 E-RING	2
21	93794	ABD FORM LINK ASSY	1
20	93564	OPERATION DECAL	1
19	91972	1/4-20 LOCK NUT	2
18	91962	#12 WASHER	2
17	91875	1/4-20 x 3/8 SOCKET CAP SCW	2
16	91895	1/4-28 x 3/8 BUTTON CAP SCW	4

15	91870	1/4-20 x 3/16 SET SCREW	*
14	91867	1/4-20 x 1/2 HEX HD SCREW	4
13	93811	TORSION SPRING	1
12	93555	KOMPAC WRENCH	2
11	93568	SHOULDER BOLT	2
10	93543	BRACKET ECCENTRIC	2
9	91980	7/16-20 NUT	1
8	93612	BEARING BOLT SLEAVE	1
7	93812	BEARING BOLT	1
6	93818	ECCENTRIC SHAFT BUSHING	2
5	91910	9/16 LOCK COLLAR	2
4	93613	DETENT STUD	1
3	93805	BOLT RETAINER ASSY	2
2	93781	L.H. MOUNTING BRACKET	1
1	93782	R.H. MOUNTING BRACKET	1