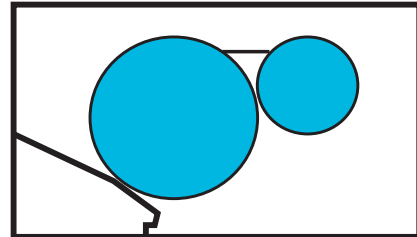


Date of Installation : _____

Unit Serial Number : _____

Kompac Dealer : _____
PRINTERS PARTS
800-543-1117 201-935-9595
fax 800-392-4072 201-935-5333
www.ppsnj.com

VARN
Kompac[®]



MODEL : AB 890-OEM
PARTS CATALOG # 92422 REV.C

AB 890 PARTS CATALOG

P/N 092422

10-98

PRINTERS PARTS

800-543-1117 201-935-9595

fax 800-392-4072 201-935-5333

www.ppsnj.com

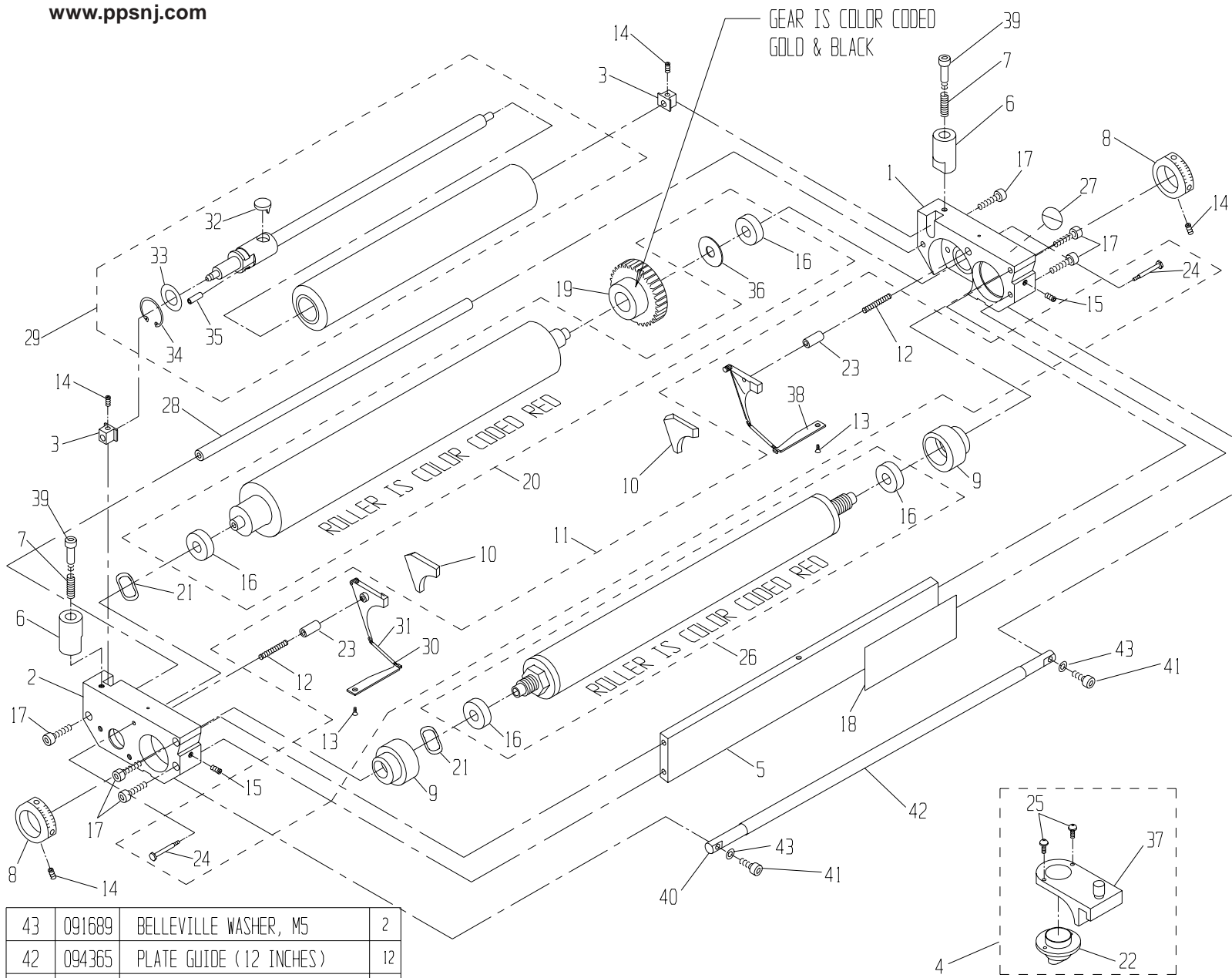
REV	DESCRIPTION	ECN	BY	DATE
-	NEW RELEASE		P.M.	11-98
A	ON UNIT, ITEM 18 WAS P/N 094984	1497	P.M.	3-9-99
B	ON UNIT PAGE: ADDED ITEM #43 (P/N 091689)	1725	MJC	8-21-01
C	ON UNIT PAGE: MADE ITEM 42 ONE SINGLE BAR	1749	P.M.	1-31-02

PRINTERS PARTS

800-543-1117 201-935-9595

fax 800-392-4072 201-935-5333

www.ppsnj.com



* PART IS INCLUDED IN OUTLINED SUBASSEMBLY.

43	091689	BELLEVILLE WASHER, M5	2
42	094365	PLATE GUIDE (12 INCHES)	12
41	091915	SCREW, LOW HD. 10-24 x .50	2
40	094943	GUIDE BAR, 8900	1
39	091649	SHOULDER SCREW, 1/4 x 1-1/4	2
38	092234	TAB	*
37	094997	BRACKET, NOZZLE	*
36	092415	THRUST WASHER	*
35	091949	SPRING PIN	*
34	091997	OSC. RETAINING CLIP	*
33	091965	OSC. RETAINING WASHER	*
32	091111	OSC. DRIVE SHAFT FOLLOWER	*
31	092259	TAB SPRING COVER	*
30	092236	TAB SPRING	*
29	091303	OSCILLATOR	1
28	094945	TIE BAR, 8900	1
27	092601	SAFETY STICKER	1
ITEM#	PART #	DESCRIPTION	QTY

26	092420	METERING ROLLER W/B	1
25	091907	#6-32 X 3/8 PHILLIPS HD SCW	*
24	092303	SHOULDER SCREW, SEAL PLATE	*
23	092304	GUIDE PIN	*
22	092604	COVER NOZZLE	*
21	092491	WAVE WASHER	2
20	092430	FORM ROLLER W/B	1
19	092940	GEAR CLUTCH ASSY, AB 8580	1
18	090984	I.D. STICKER	1
17	091853	#10-32 x 1.12 SOC. HD. SCREW	6
16	092401	BEARING (6000)	*
15	091813	#10-24 X 1/2 SET SCREW	2
14	091811	#10-24 X 1/4 SET SCREW	4
ITEM#	PART #	DESCRIPTION	QTY

13	091802	#3-48 X 1/4 FLAT HD SCREW	*
12	092238	COMPRESSION SPRING	*
11	092290	BACKING PLATE KIT (L & R)	1
10	092370	SEAL SET (L & R)	1
9	092291	ECCENTRIC	2
8	094992	METERING GAUGE	2
7	092007	SPRING, COMPRESSION	2
6	094991	OSCILLATOR POST	2
5	094944	TIE PLATE, 8900	1
4	098750	BRACKET NOZZLE ASSEMBLY	1
3	091219	ROLLER ALIGNMENT BLOCK	2
2	094994	END FRAME, L.H.	1
1	094993	END FRAME, R.H.	1
ITEM#	PART #	DESCRIPTION	QTY

AB 890 BRACKET KIT: P/N 092419
 AB 990 USER ACCESSORY KIT: P/N 098340

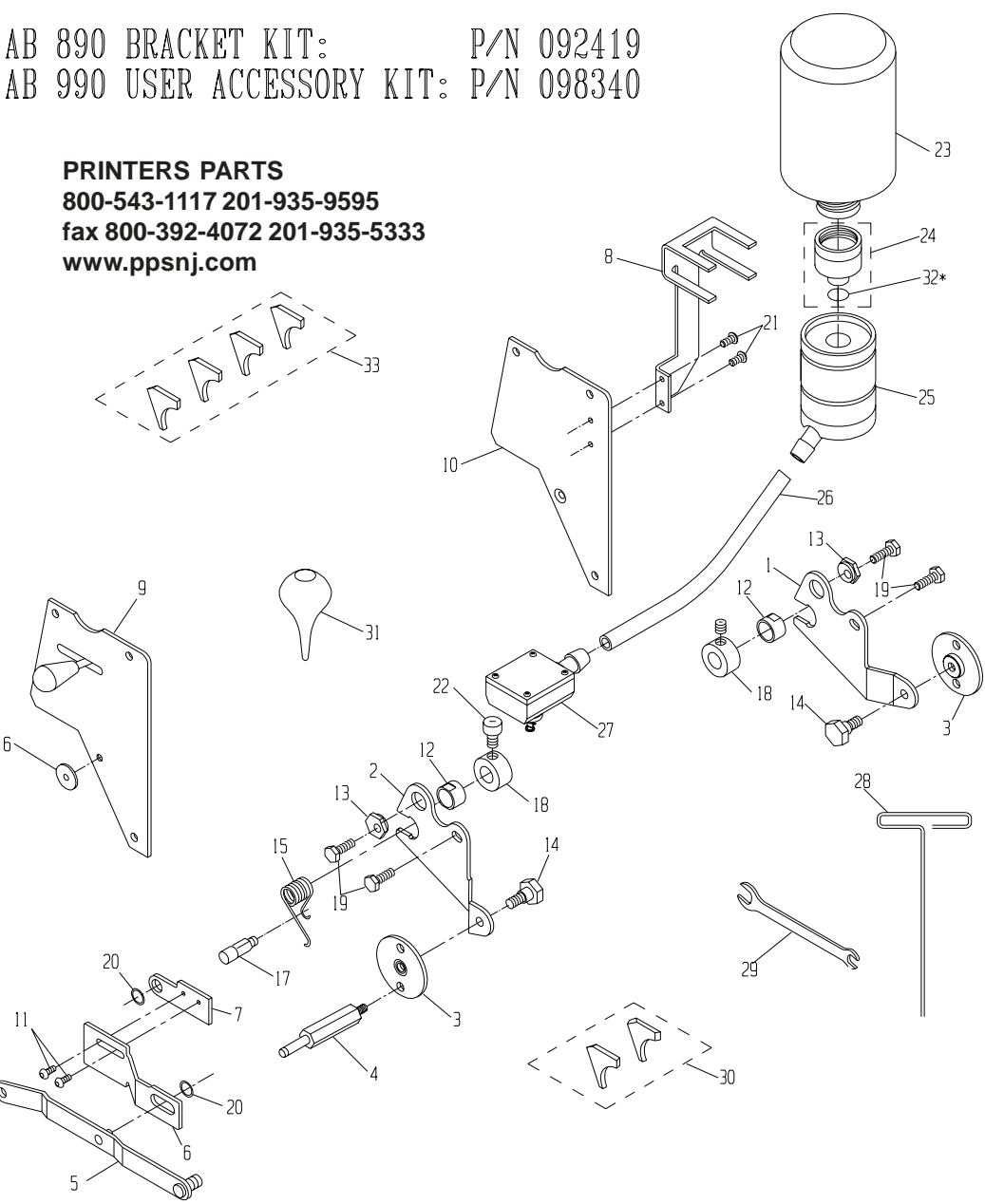
PARTS CATALOG #092422 REV. C

PRINTERS PARTS

800-543-1117 201-935-9595

fax 800-392-4072 201-935-5333

www.ppsnj.com



ITEM	PART NO	DESCRIPTION	QTY.
1	093782	R.H. MOUNTING BRACKET	1
2	093781	L.H. MOUNTING BRACKET	1
3	093805	BOLT RETAINER ASSY	2
4	094982	STUD, DETENT, 5/16 THREAD	1
5	093794	AB DICK FORM LINK ASSY	1
6	093801	AB DICK LONG LINK	1
7	093799	AB DICK SHORT LINK	1
8	094999	BRACKET, BOTTLE	1
9	093609	ASSY, LOCKOUT	1
10	093602	L.H. GUARD SUPPORT BKT	1
11	091816	#10-24 x 3/8 BUT. HD CAP SCW	2
12	093818	ECCENTRIC SHAFT BUSHING	2
13	093543	BRACKET ECCENTRIC	2
14	093568	SHOULDER BOLT	2
15	093811	TORSION SPRING	1
16	094136	SPACER	1
17	093809	STOP BOLT	1
18	091910	9/16 COLLAR	2
19	091867	1/4-20 x 1/2 HEX HEAD SCREW	4
20	091956	SPACER WASHER	2
21	091817	#10-24 x 1/4 BUTTON HD SCREW	2
22	091875	1/4-20 x 3/8 SOC HD CAP SCREW	1
23	092773	ROUND CALIBRATED BOTTLE	1
24	092760	DISPENSING VALVE ASSY	1
25	092740	BOTTLE VALVE ASSY	1
26	094986	1/2" I.D. VINYL TUBING	1
27	092750	ADAPTER BASE ASSY	1
28	090755	3/32" T-WRENCH	1
29	093555	KOMPAC WRENCH	2
30	092370	KOMPAC SEAL SET	1
31	092778	KOMPAC SYRINGE	1
32	092765	DISPENSING VALVE O-RING	*
33	094990	FELT CLEANING SEAL (SET OF 4)	1

* PART IS INCLUDED IN OUTLINED SUBASSEMBLY.