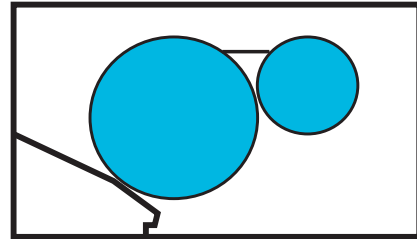


Date of Installation : _____

Unit Serial Number : _____

Kompac Dealer : _____
PRINTERS PARTS
800-543-1117 201-935-9595
fax 800-392-4072 201-935-5333
www.ppsnj.com

VARN
Kompac[®]



MODEL : AB 9900
PARTS CATALOG # 94962 REV.G

AB 990 PARTS CATALOG

P/N 094962

8-96

PRINTERS PARTS

800-543-1117 201-935-9595

fax 800-392-4072 201-935-5333

www.ppsnj.com

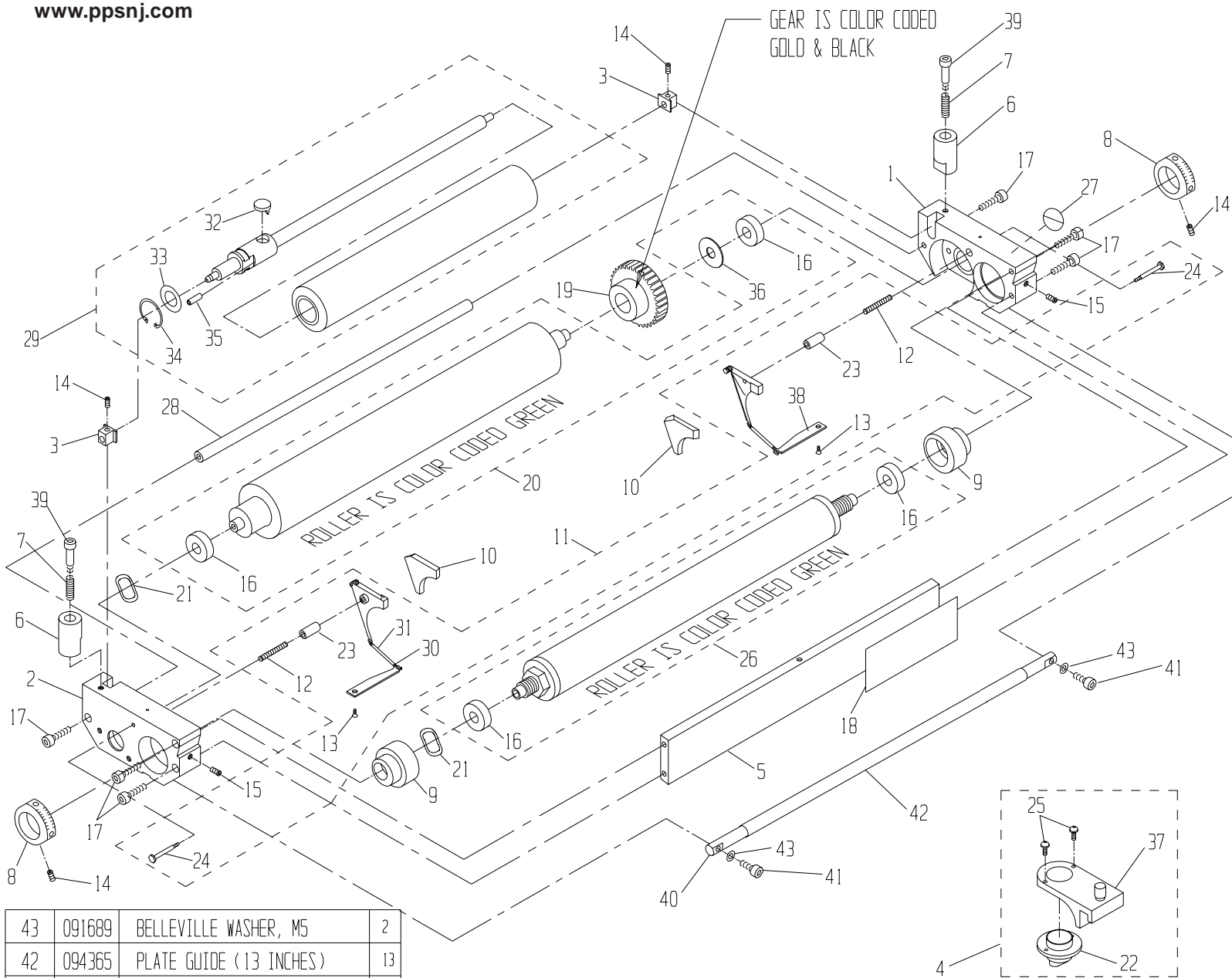
REV	DESCRIPTION	ECN	BY	DATE
-	RELEASED TO PRODUCTION	1208	PM	8-19-96
A	92773 WAS 92771, 91117 WAS 91111	1281	BS	5-02-97
B	ADDED ITEM 39, ITEM #7 WAS 093466	1311	PM	7-8-97
C	ON UNIT, ADDED ITEMS 40, 41, 42.	1416	PM	6-24-98
D	ON BRKT KIT ITEM 15 WAS 091870, ON SAFETY KIT ITEM 7 WAS 93601	1451	PM	10-22-98
E	ON BRKT KIT, ITEM 16 WAS QTY 4	1550	PM	9-3-99
F	ON UNIT PAGE: ADDED ITEM #43 (P/N 091689)	1725	MJC	8-21-01
G	ON UNIT PAGE: MADE ITEM 42 ONE SINGLE BAR	1749	P.M.	1-31-02

PRINTERS PARTS

800-543-1117 201-935-9595

fax 800-392-4072 201-935-5333

www.ppsnj.com

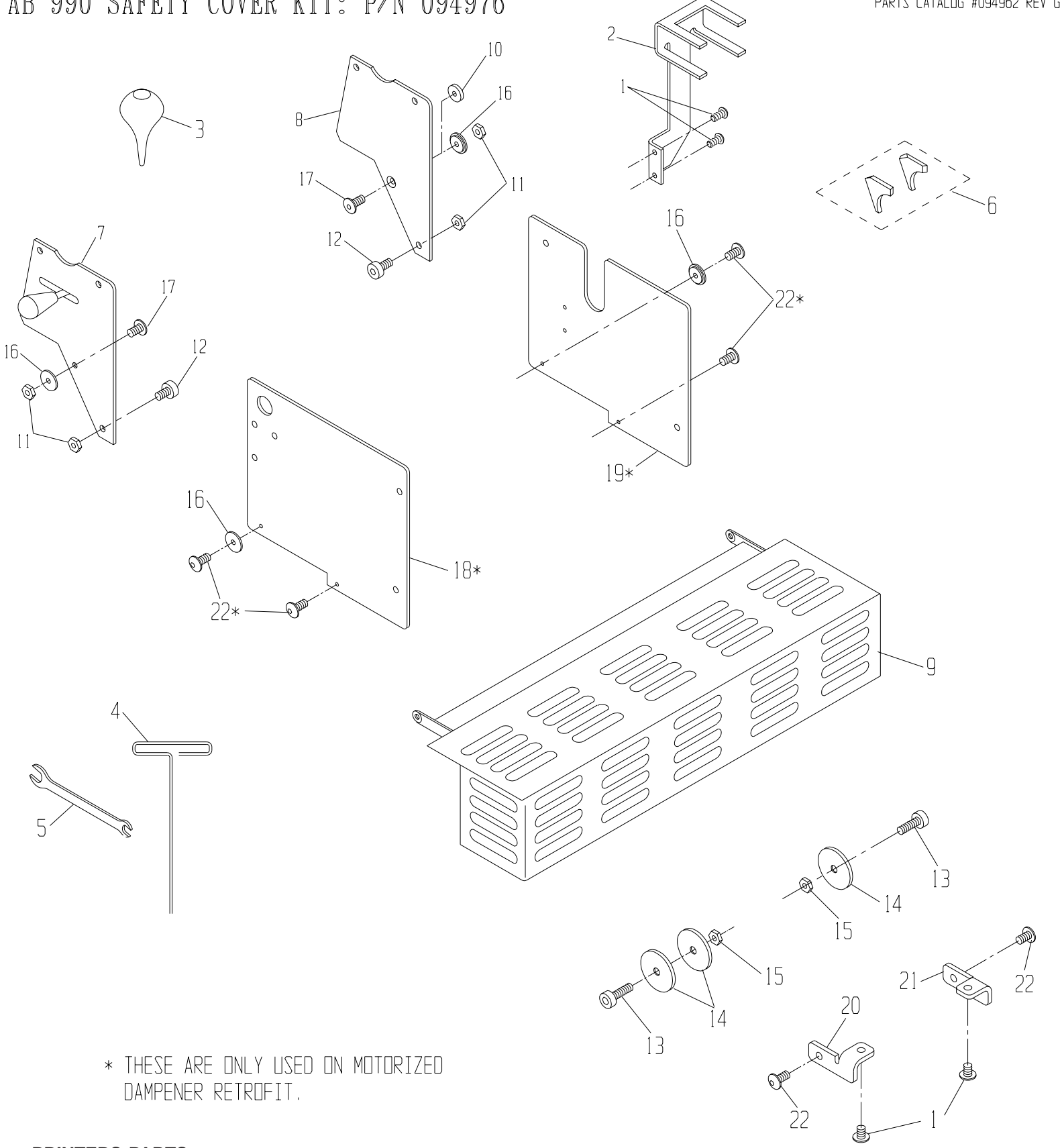


43	091689	BELLEVILLE WASHER, M5	2
42	094365	PLATE GUIDE (13 INCHES)	13
41	091915	SCREW, LOW HD. 10-24 x .50	2
40	094984	GUIDE BAR	1
39	091649	SHOULDER SCREW, 1/4 x 1-1/4	2
38	092234	TAB	*
37	094997	BRACKET, NOZZLE	*
36	092415	THRUST WASHER	*
35	091949	SPRING PIN	*
34	091997	OSC. RETAINING CLIP	*
33	091965	OSC. RETAINING WASHER	*
32	091117	OSC. DRIVE SHAFT FOLLOWER	*
31	092259	TAB SPRING COVER	*
30	092236	TAB SPRING	*
29	094998	OSCILLATOR, 13-1/4", HARD	1
28	094996	TIE BAR	1
27	092601	SAFETY STICKER	1
ITEM#	PART #	DESCRIPTION	QTY

* PART IS INCLUDED IN OUTLINED SUBASSEMBLY.

26	092460	13" METERING ROLLER W/B	1
25	091907	#6-32 X 3/8 PHILLIPS HD SCW	*
24	092303	SHOULDER SCREW, SEAL PLATE	*
23	092304	GUIDE PIN	*
22	092604	COVER NOZZLE	*
21	092491	WAVE WASHER	2
20	092470	13" FORM ROLLER W/B	1
19	092940	GEAR CLUTCH ASSY, AB 8580	1
18	094987	I.D. STICKER (AB 990)	1
17	091853	#10-32 x 1.12 SDC. HD. SCREW	6
16	092401	BEARING (6000)	*
15	091813	#10-24 X 1/2 SET SCREW	2
14	091811	#10-24 X 1/4 SET SCREW	4
ITEM#	PART #	DESCRIPTION	QTY

13	091802	#3-48 X 1/4 FLAT HD SCREW	*
12	092238	COMPRESSION SPRING	*
11	092290	BACKING PLATE KIT (L & R)	1
10	092370	SEAL SET (L & R)	1
9	092291	ECCENTRIC	2
8	094992	METERING GAUGE	2
7	092007	SPRING, COMPRESSION	2
6	094991	OSCILLATOR POST	2
5	094995	TIE PLATE	1
4	098750	BRACKET NOZZLE ASSEMBLY	1
3	091219	ROLLER ALIGNMENT BLOCK	2
2	094994	END FRAME, L.H.	1
1	094993	END FRAME, R.H.	1
ITEM#	PART #	DESCRIPTION	QTY



* THESE ARE ONLY USED ON MOTORIZED DAMPENER RETROFIT.

PRINTERS PARTS
800-543-1117 201-935-9595
fax 800-392-4072 201-935-5333
www.ppsnj.com

22	091816	10-24 x 3/8 BUTTON HD CAP SCW	6
21	094977	L.H. GUARD SUPPORT	1
20	094972	R.H. GUARD SUPPORT	1
19	094988	L.H. BRACKET SUPPORT	1
ITEM	PART NO.	DESCRIPTION	QTY.

18	094978	R.H. BRACKET SUPPORT	1
17	091855	#10-32 x 5/8 FLAT HEAD SCREW	2
16	094136	SPACER	2
15	091932	1/4-20 NUT	2
14	091951	WASHER, FLAT	3
13	091859	1/4-20 x 3/4 BUT HD CAP SCREW	2
12	091842	#10-32 x 5/8 SOCKET HD CAP SCW	2
11	091969	#10-32 LOCK NUT	4
10	091952	SPACER	1
ITEM	PART NO.	DESCRIPTION	QTY.

9	094973	GUARD, AB 990	1
8	093602	L.H. GUARD SUPPORT BKT	1
7	093609	ASSY, LOCKOUT	1
6	092370	KOMPAC SEAL SET	1
5	093555	KOMPAC WRENCH	2
4	090755	3/32 T-WRENCH	1
3	092778	KOMPAC SYRINGE	1
2	094999	BRACKET, BOTTLE (AB 990)	1
1	091817	#10-24 x 1/4 BUTTON HD CAP SCW	4
ITEM	PART NO.	DESCRIPTION	QTY.