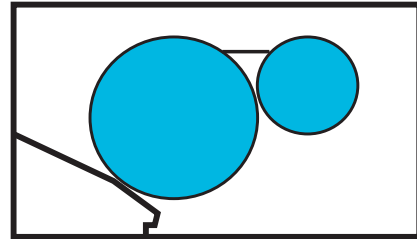


Date of Installation : _____

Unit Serial Number : _____

Kompac Dealer : _____
PRINTERS PARTS
800-543-1117 201-935-9595
fax 800-392-4072 201-935-5333
www.ppsnj.com

VARN
Kompac®



MODEL : AB 990-OEM
PARTS CATALOG # 98342 REV.E

AB 990 (OEM) PARTS CATALOG

P/N 098342

6-95

PRINTERS PARTS

800-543-1117 201-935-9595

fax 800-392-4072 201-935-5333

www.ppsnj.com

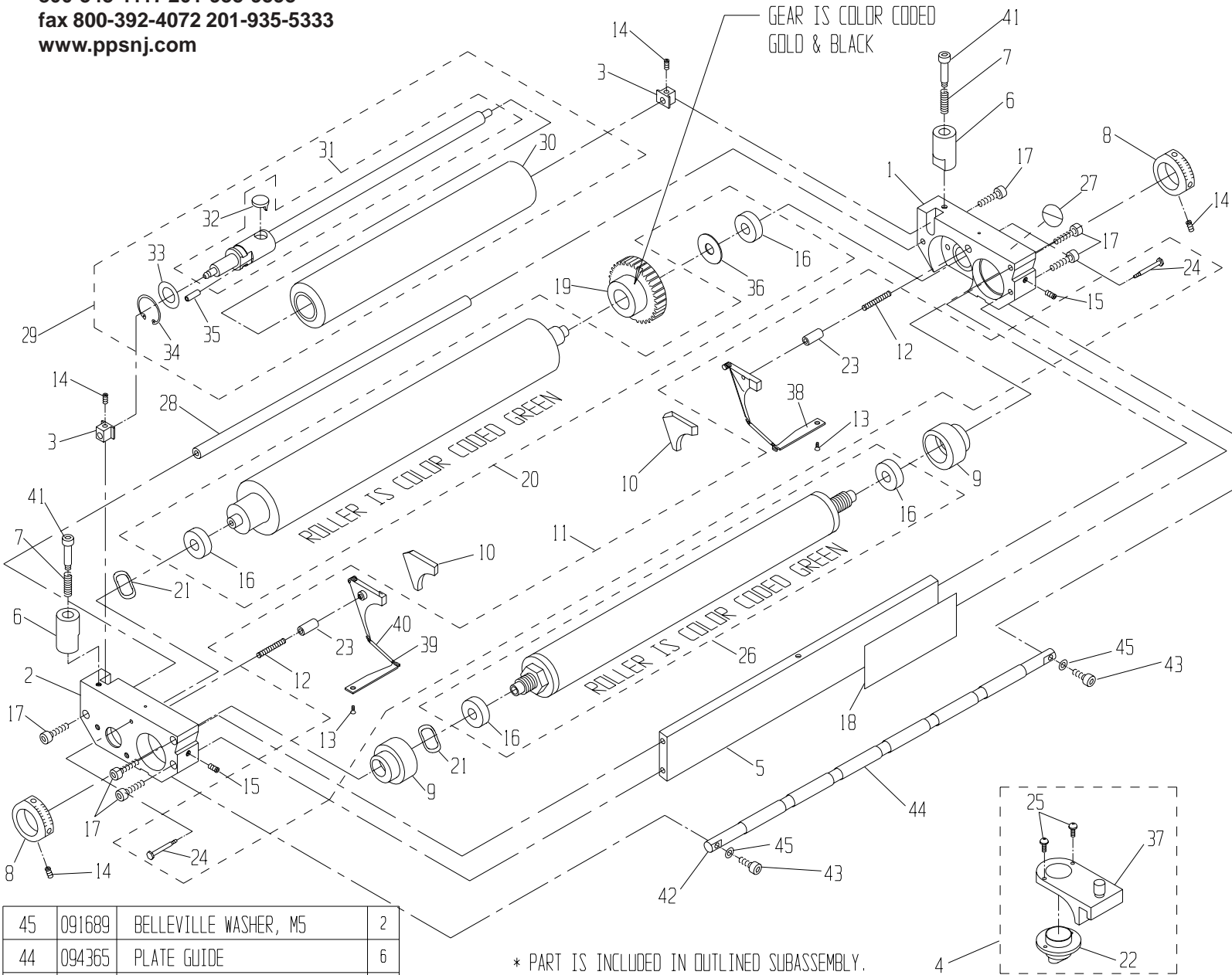
REV	DESCRIPTION	ECN	BY	DATE
-	NEW RELEASE PER ERN# 034		P.M.	6-95
A	STUD, DETENT, 5/16 THREAD WAS # 93613	1143	P.M.	10-3-95
B	ADDED ITEM# 41, ITEM 7 WAS PN 93466	1311	P.M.	7-8-97
C	ON UNIT, ADDED ITEMS 42, 43, 44.	1416	P.M.	6-24-98
D	ON BRKT, 093609 WAS 093601, ADDED P/N 091875	1451	P.M.	11-6-98
E	ON UNIT PAGE: ADDED ITEM #45 (P/N 091689)	1725	MJC	8-21-01

PRINTERS PARTS

800-543-1117 201-935-9595

fax 800-392-4072 201-935-5333

www.ppsnj.com



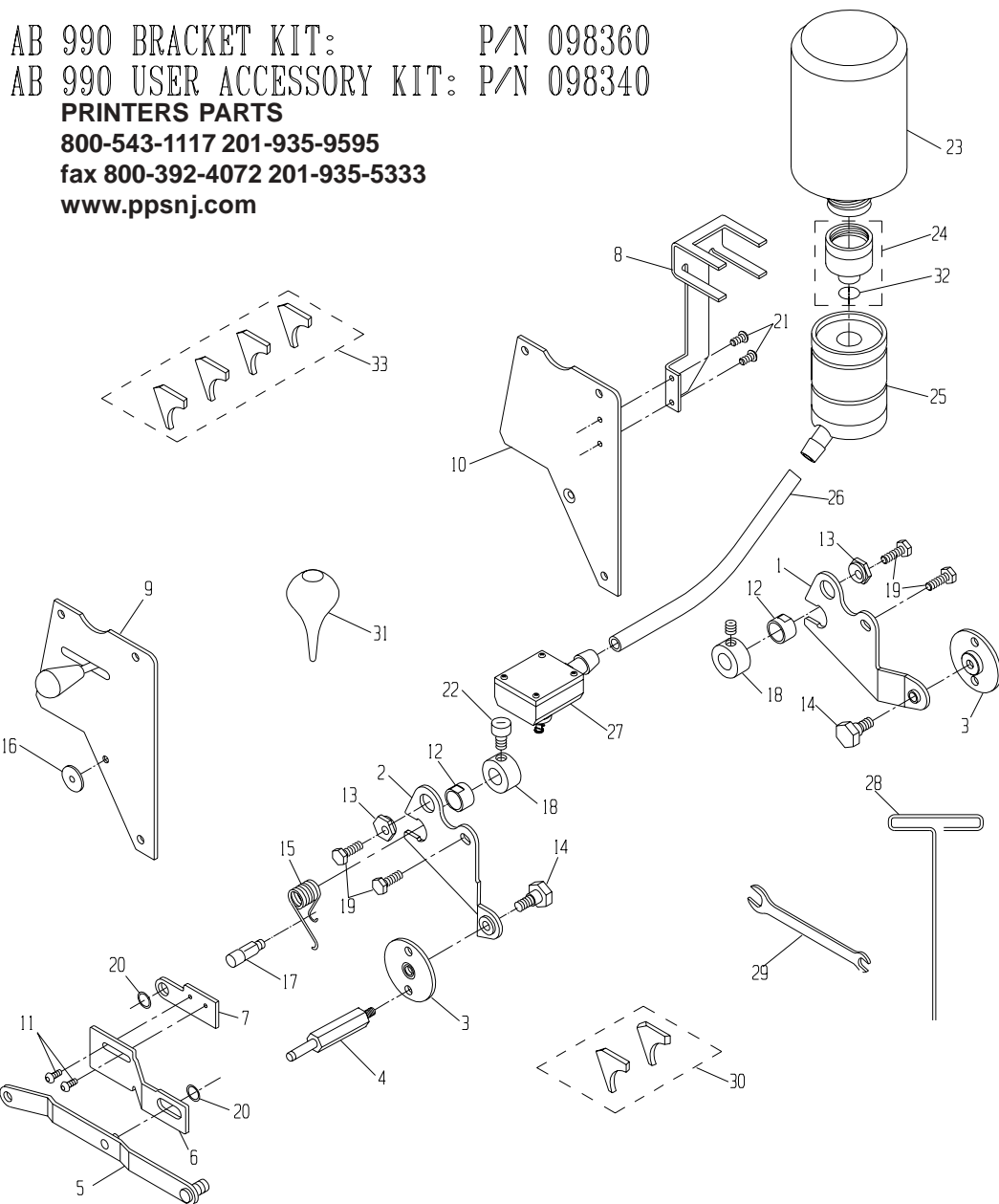
45	091689	BELLEVILLE WASHER, M5	2
44	094365	PLATE GUIDE	6
43	091915	SCREW, LOW HD. 10-24 x .50	2
42	094984	GUIDE BAR	1
41	091649	SHOULDER SCREW, 1/4"	2
40	092259	SPRING COVER	*
39	092236	TAB SPRING	*
38	092234	TAB	*
37	094997	BRACKET, NOZZLE	*
36	092415	THRUST WASHER	*
35	091949	SPRING PIN	*
34	091997	OSC. RETAINING CLIP	*
33	091965	OSC. RETAINING WASHER	*
32	091111	OSC. DRIVE SHAFT FOLLOWER	*
31	094983	OSCILLATOR SHAFT ASSY	*
30	094984	OSCILLATOR ROLLER,	*
29	094998	13-1/4 OSC. ROLL. PARTS ASSY	1
ITEM#	PART #	DESCRIPTION	QTY

* PART IS INCLUDED IN OUTLINED SUBASSEMBLY.

28	094996	TIE BAR	1
27	092601	SAFETY STICKER	1
26	092460	13" METERING ROLLER W/B	1
25	091907	#6-32 X 3/8 PHILLIPS HD SCW	*
24	092303	SHOULDER SCREW	*
23	092304	GUIDE PIN	*
22	092604	NOZZLE	*
21	092491	WAVE WASHER	2
20	092470	13" FORM ROLLER W/B	1
19	092940	GEAR CLUTCH ASSY, AB 8580	1
18	094987	I.D. STICKER (AB 990)	1
17	091853	#10-32 X 1.12 SOC. HD. SCREW	6
16	092401	BEARING	*
15	091813	#10-24 X 1/2 SET SCREW	2
ITEM#	PART #	DESCRIPTION	QTY

14	091811	#10-24 X 1/4 SET SCREW	4
13	091802	#3-48 X 1/4 FLAT HD SCREW	*
12	092238	COMPRESSION SPRING	*
11	092290	BACKING PLATE KIT (L & R)	1
10	092370	SEAL SET (L & R)	1
9	092291	ECCENTRIC	2
8	094992	METERING GAUGE	2
7	092007	SPRING, COMPRESSION	2
6	094991	OSCILLATOR POST	2
5	094995	TIE PLATE	1
4	098750	BRACKET NOZZLE ASSEMBLY	1
3	091219	ALIGNMENT BLOCK	2
2	094994	L.H. END FRAME	1
1	094993	R.H. END FRAME	1
ITEM#	PART #	DESCRIPTION	QTY

AB 990 BRACKET KIT: P/N 098360
 AB 990 USER ACCESSORY KIT: P/N 098340
PRINTERS PARTS
800-543-1117 201-935-9595
fax 800-392-4072 201-935-5333
www.ppsnj.com



ITEM	PART NO	DESCRIPTION	QTY.
1	090920	R.H. MOUNTING BRACKET ASSY	1
2	090910	L.H. MOUNTING BRACKET ASSY	1
3	093805	BOLT RETAINER ASSY	2
4	094982	STUD, DETENT, 5/16 THREAD	1
5	093794	AB DICK FORM LINK ASSY	1
6	093801	AB DICK LONG LINK	1
7	093799	AB DICK SHORT LINK	1
8	094999	BRACKET, BOTTLE	1
9	093609	ASSY, LOCKOUT	1
10	093602	L.H. GUARD SUPPORT BKT	1
11	091816	#10-24 x 3/8 BUT. HD CAP SCW	2
12	093818	ECCENTRIC SHAFT BUSHING	2
13	093543	BRACKET ECCENTRIC	2
14	093814	SHOULDER BOLT	2
15	093811	TORSION SPRING	1
16	094136	SPACER	1
17	093809	STOP BOLT	1
18	091910	9/16 COLLAR	2
19	091867	1/4-20 x 1/2 HEX HEAD SCREW	4
20	091956	SPACER WASHER	2
21	091817	#10-24 x 1/4 BUTON HD SCREW	2
22	091875	1/4-20 x 3/8 SDC HD CAP SCREW	1
23	092773	ROUND CALIBRATED BOTTLE	1
24	092760	DISPENSING VALVE ASSY	1
25	092740	BOTTLE VALVE ASSY	1
26	094986	1/2" I.D. VINYL TUBING	1
27	092750	ADAPTER BASE ASSY	1
28	090755	3/32" T-WRENCH	1
29	093555	KOMPAC WRENCH	2
30	092370	KOMPAC SEAL SET	1
31	092778	KOMPAC SYRINGE	1
32	092765	DISPENSING VALVE O-RING	*
33	094990	FELT CLEANING SEAL (SET OF 4)	1

* PART IS INCLUDED IN OUTLINED SUBASSEMBLY.