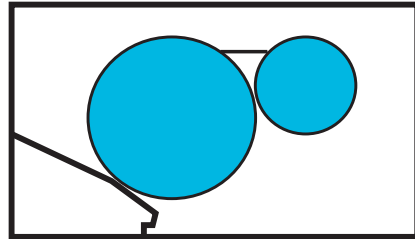


Date of Installation : _____

Unit Serial Number : _____

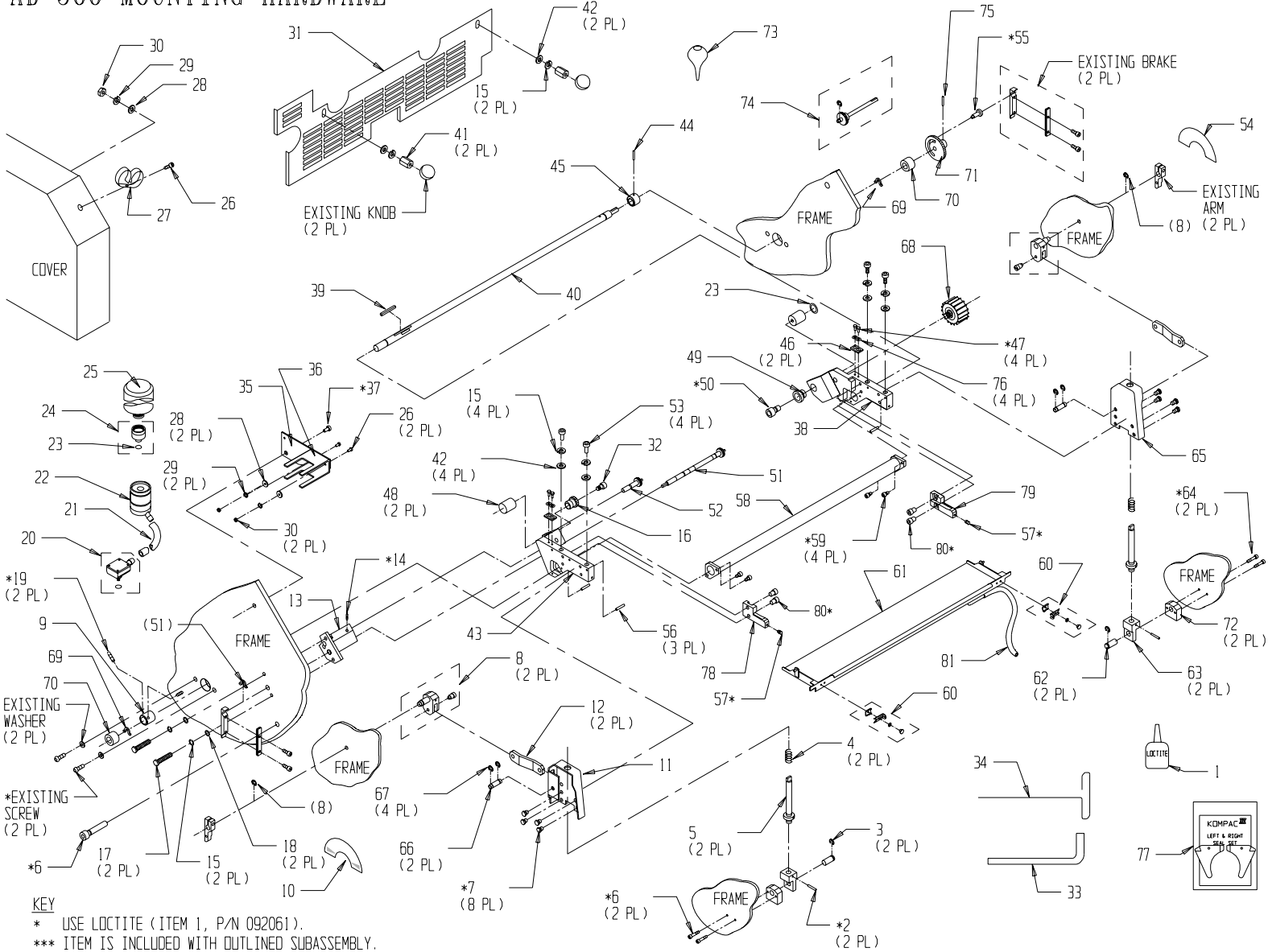
Kompac Dealer : _____
PRINTERS PARTS
800-543-1117 201-935-9595
fax 800-392-4072 201-935-5333
www.ppsnj.com

VARN
Kompac[®]



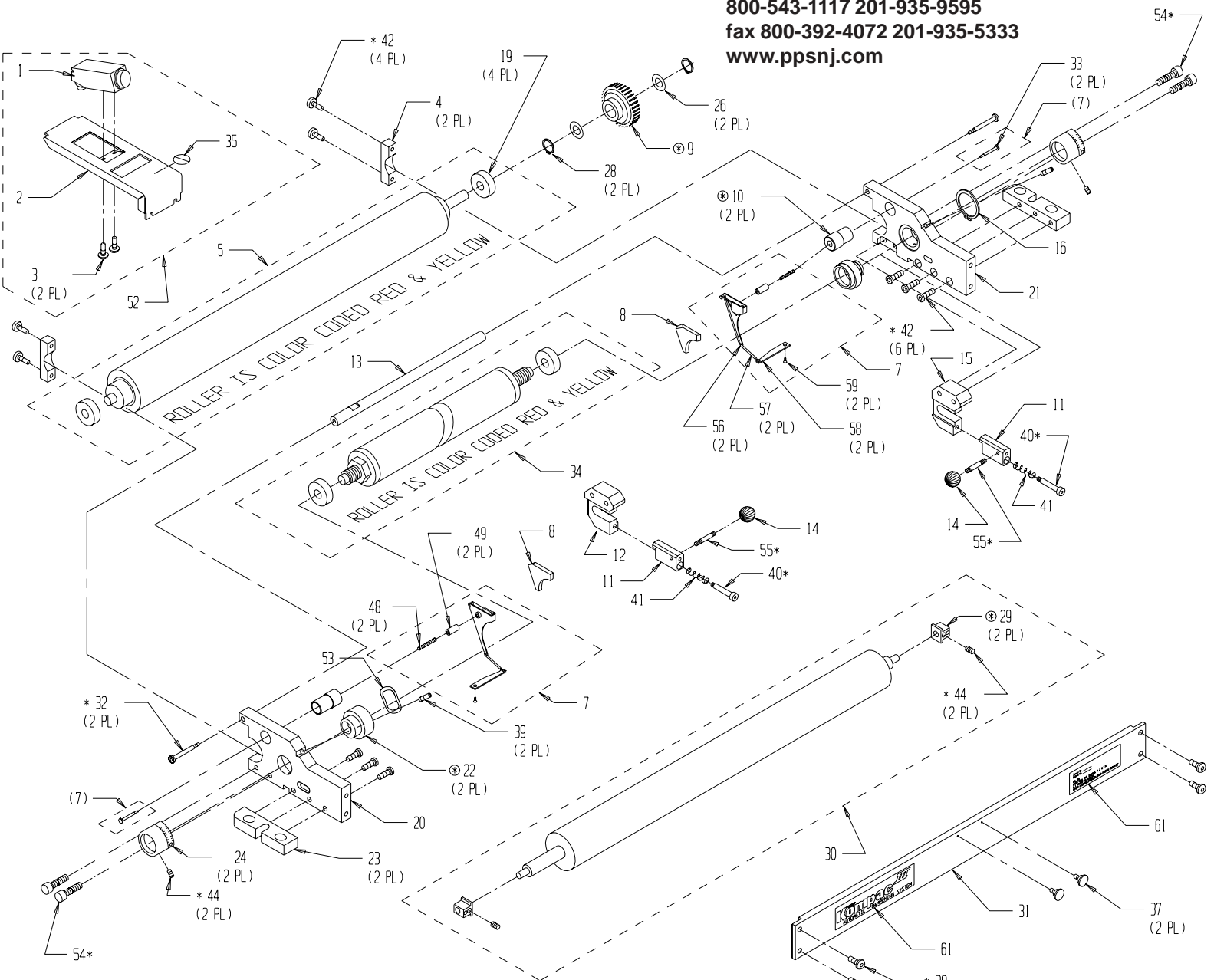
MODEL : AD-500
PARTS CATALOG # 90442 REV.F

AD 500 MOUNTING HARDWARE



KEY
 * USE LOCTITE (ITEM 1, P/N 092061).
 *** ITEM IS INCLUDED WITH OUTLINED SUBASSEMBLY.

81.	091528	CLEAR PLASTIC HOSE, I.D. 3/8"	1	54.	090465	STRIPE ADJUST LABEL	1	27.	091672	SPRING CLIP	1
80.	091721	M8 X 12mm LDW HD CAP SCREW	4	53.	091763	M10 X 25mm LDW HEAD CAP SCREW	4	26.	091765	M5 X 12mm BUTTON HEAD CAP SCW	3
79.	098712	BRKT, FORM ROLLER PAN, OPS	1	52.	090770	SKEW IDLER SHAFT ASS'Y	1	25.	092771	CALIBRATED BOTTLE	1
78.	098713	BRKT, FORM ROLLER PAN, NOPS	1	51.	090780	SKEW ADJUST ASS'Y	1	24.	092760	DISPENSING VALVE ASS'Y	1
77.	090850	KIII SEAL SET (L.H. & R.H.)	1	50.	091713	M10 X 20mm SHOULDER SCREW	1	23.	092765	VALVE BODY O-RING	***
76.	091981	M4 FLAT WASHER	4	49.	092619	BRACKET SPACER	1	22.	092740	BOTTLE VALVE ASS'Y	1
75.	091736	3mm X 18mm ROLL PIN	1	48.	090764	SPACER CAP	2	21.	092756	1/2" I.D. VINYL TUBING	1
74.	090810	STRIPE ADJUST DRIVE ASSEMBLY	1	47.	091760	M4 X 10mm SOCKET HEAD CAP SCW	4	20.	092750	ADAPTOR BASE ASSEMBLY	1
73.	092778	KOMPAC SYRINGE	1	46.	092598	STOP PLATE	2	19.	091700	M6 X 6mm SOCKET HEAD SET SCW	2
72.	092624	SPRING BLOCK	2	45.	092629	ECCENTRIC COLLAR, R.H.	1	18.	091979	FLAT WASHER, .414" X 1" X .093"	2
71.	092564	STRIPE ADJUST GEAR	1	44.	091947	5mm X 24mm ROLL PIN	1	17.	091764	M10 X 45mm HEX HEAD CAP SCREW	2
70.	092614	STRIPE SET ROD BUSHING	1	43.	092961	NON-OP SIDE BRACKET	1	16.	090990	SKEW ECCENTRIC ASSEMBLY	1
69.	091663	16mm RETAINING RING	2	42.	091976	M10 FLAT WASHER	6	15.	091741	M10 SPLIT LOCK WASHER	8
68.	090820	IDLER GEAR ASSEMBLY	1	41.	091732	M10 HEX NUT	2	14.	091701	M6 X 10mm SET SCREW	1
67.	091680	8mm E-RING	4	40.	092633	FORM STRIPE ADJUST ROD	1	13.	092535	SKEW ADJUST BOSS	1
66.	092574	LINKAGE PIN	2	39.	092632	SQUARE KEY STOCK	1	12.	092595	THROW ARM	2
65.	092594	SPRING BRACKET OP-SIDE	1	38.	092962	OP-SIDE BRACKET	1	11.	092593	SPRING BRKT, NON-OP SIDE	1
64.	091762	M6 X 35mm SOCKET HEAD CAP SCW	2	37.	091767	M10 X 16mm BUTTON HD CAP SCREW	1	10.	090464	SKEW ADJUST LABEL	1
63.	092626	SPRING PIVOT BLOCK	2	36.	092749	UNIVERSAL BOTTLE BRACKET	1	9.	092628	ECCENTRIC COLLAR, L.H.	1
62.	092623	PIVOT STUD	2	35.	092618	BOTTLE BRACKET BASE	1	8.	090790	THROW BLOCK ASS'Y	2
61.	098711	PAN, F/R OSC, AD505	1	34.	090756	2.5mm T-WRENCH	1	7.	091894	M8 X 16mm SOCKET HEAD CAP SCW	8
60.	090800	LATCH ASSEMBLY	2	33.	090757	8mm HEX KEY WRENCH	1	6.	091887	M6 X 30mm SOCKET HEAD CAP SCW	3
59.	091710	M6 X 10mm SHOULDER SCREW	4	32.	091714	M10 X 25mm SHOULDER SCREW	1	5.	090830	SPRING ROD ASS'Y	2
58.	092181	BRACKET TIE BAR	1	31.	092606	ADAST 515 SAFETY COVER	1	4.	092060	DIE SPRING	2
57.	092057	THREADED STUD	2	30.	091752	M5 X .8 HEX NUT	3	3.	091681	9mm E-RING	2
56.	091948	5mm X 32mm ROLL PIN	3	29.	091740	M5 SPLIT LOCK WASHER	3	2.	091889	M5 X 10mm SOCKET HEAD SET SCW	2
55.	091712	M8 X 12mm SHOULDER SCREW	1	28.	091978	M5 FLAT WASHER	3	1.	092061	LOCTITE 5 ml	1
ITEM	PART #	DESCRIPTION	QTY.	ITEM	PART #	DESCRIPTION	QTY.	ITEM	PART #	DESCRIPTION	QTY.



KEY
 * USE LOCTITE (BRACKET KIT ITEM, P/N 092061).
 ⊕ GREASE MOVING PARTS PRIOR TO ASSEMBLY.
 *** ITEM IS INCLUDED WITH OUTLINED SUBASSEMBLY.

ITEM	PART #	DESCRIPTION	QTY.	ITEM	PART #	DESCRIPTION	QTY.	ITEM	PART #	DESCRIPTION	QTY.
61.	098026	LABELS, TIE PLATE	1	40.	091708	M6 X 30mm SHOULDER SCREW	2	20.	092176	NON-OP SIDE 515 FRAME	1
59.	091760	M4 x 10mm SOCKET HEAD CAP SCW	***	39.	091889	M5 x 10mm SOCKET HEAD SET SCW	2	19.	092586	BEARING, BALL (6201)	***
58.	092234	TAB	***	38.	091766	M6 x 12mm BUTTON HEAD CAP SCW	4				
57.	092259	TAB SPRING COVER	***	37.	092062	M5 THUMB SCREW	2				
56.	092236	TAB SPRING	***					16.	091660	RETAINING RING (Ø 1")	1
55.	091417	THREADED STUD, SHORT	2	35.	092601	SAFETY STICKER	***	15.	091572	OSC.MTG. BLOCK, OP-SIDE	1
54.	092129	M6 x 25mm LDW HD SOC SCREW	4	34.	092580	MET. ROLLER ASSY W/BEARINGS	1	14.	092055	BALL KNOB	2
53.	091772	WAVE SPRING (32mm)	1	33.	092303	SEAL PLATE SHOULDER SCREW	***	13.	092617	TIE ROD	1
52.	099330	AD 500 NOZZLE COVER ASSEMBLY	1	32.	091711	M6 x 10mm SHOULDER SCREW	2	12.	091571	OSC.MTG. BLOCK, NDP-SIDE	1
				31.	092487	TIE PLATE	1	11.	095697	CLAMP, OSCILLATOR	2
				30.	091470	OSCILLATOR	1	10.	092292	BACKING PLATE STANDOFF	2
49.	092304	GUIDE PIN	***	29.	092174	METRIC ALIGNMENT BLOCK	***	9.	090860	FORM GEAR ASSEMBLY	1
48.	092242	COMPRESSION SPRING	***	28.	091662	12mm RETAINING RING	2	8.	090850	KIII SEAL SET (R.H. & L.H.)	1
				26.	091966	SPACER WASHER, .875 x .478	2	7.	090870	SEAL BACKING PLATE KIT	1
44.	091888	M5 x 5mm SOCKET HEAD SET SCW	2	24.	092612	METERING GAUGE	2	5.	090840	FORM ROLLER ASSY W/ BEARINGS	1
42.	091761	M6 x 18mm SOCKET HEAD CAP SCW	10	23.	092178	ATTACHMENT BLOCK	2	4.	092179	BEARING CLAMP, FORM ROLLER	2
41.	095698	SPRING, COMPRESSION	2	22.	092175	ECCENTRIC, METERING ROLLER	2	3.	091806	6-32 X 3/8" PHIL. HEAD SCREW	***
				21.	092177	OP SIDE 515 FRAME	1	2.	092605	NOZZLE BRACKET	***
								1.	092700	NOZZLE ASS'Y	***