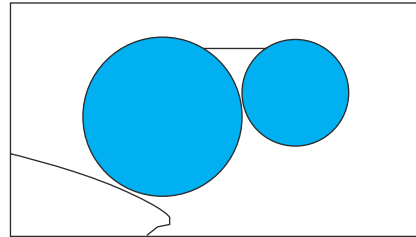


Date of Installation : _____

Unit Serial Number : _____

Kompac Dealer : _____

Kompac®



A DIVISION OF DAY INTERNATIONAL, INC.



DAY INTERNATIONAL, INC.

Image Transfer Group



GT - 52 - DI

Parts Catalog # 095139

PRINTERS PARTS

800-543-1117 201-935-9595

fax 800-392-4072 201-935-5333

www.ppsnj.com

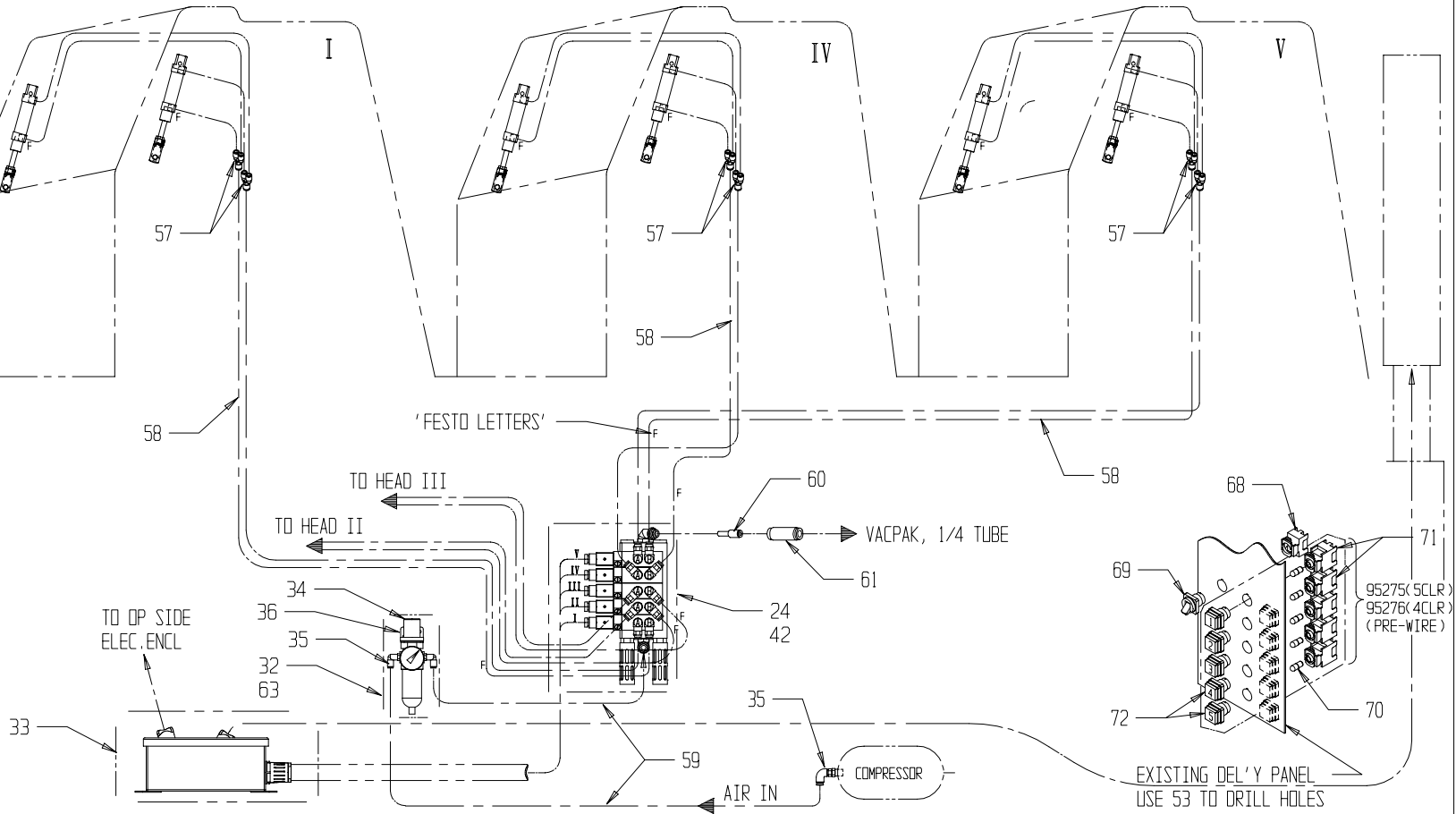
GTO-DI PNEUMATIC/ELECTRIC CONTROL KIT : P/N 095149 (120V); 095168(240V)

FIVE(5) COLORS, DIRECT IMAGE DRY SYSTEM, KOMPAC CONVERSION

PARTS CATALOG # 095139-A

GTO-DI PNEUMATIC/ELECTRIC CONTROL KIT : P/N 095159 (120V); 095158(240V)

FOUR(4) COLORS, DIRECT IMAGE DRY SYSTEM, KOMPAC CONVERSION



**ITEM 66; 095137(120 V), 095138(240 V)

ITEM	PART NO	DESCRIPTION	QTY.
80	-	-	*
79	-	-	*
78	095259	AUX. CONTACT	*
77.	099742	SOCKET, RELAY	*
76.	092087	SCREW, 10-32	*
75.	095156	PANEL	*
74.	099647	DRILL, 5/32	1
73.	098978	TAP, M5	1
72.	095102	BUTTON, PUSH	5 AR
71.	095107	BUTTON, LOCK	5 AR
70.	095109	LAMP, IND	5 AR
69.	095135	SWITCH, TILT	1
68.	095136	BLOCK, CONTACT	1
67.	099631	CUTTER, TUBE	1
66.	**	RELAY, 4 ND, 120 V DR 240 V	1 AR
65.	095153	HOLE, SAW, 1 1/8	1
64.	095152	HOLE, SAW, 7/8	1
63.	091757	SCREW, M5 X 10	2
62.	091753	NUT, M6	*
61.	099112	CONN, ST, 6-1/4 TUBE	1
60.	099028	INSERT, 8-6MM	1
59.	099176	TUBING, 8MM	20'
58.	095013	TUBING, DUD, 6MM	100'
57.	095025	FTG, Y, 6MM	11
56.	095148	CONNECTOR, ST 6MM	AR
55.	092061	LOCTITE, SEAL	1
54.	091743	WASHER, M6	*
53.	095147	TEMPLATE	1
52.	091583	HHS, M6 x 20	*
51.	099179	CONNECTOR, ST, 6MM(NOT SHOWN)	*
ITEM	PART NO	DESCRIPTION	QTY.

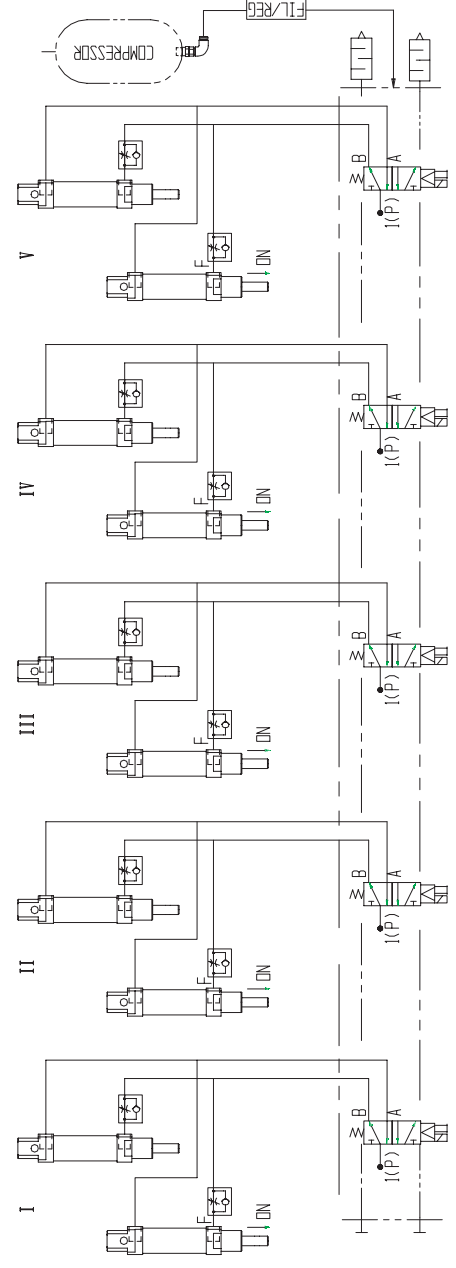
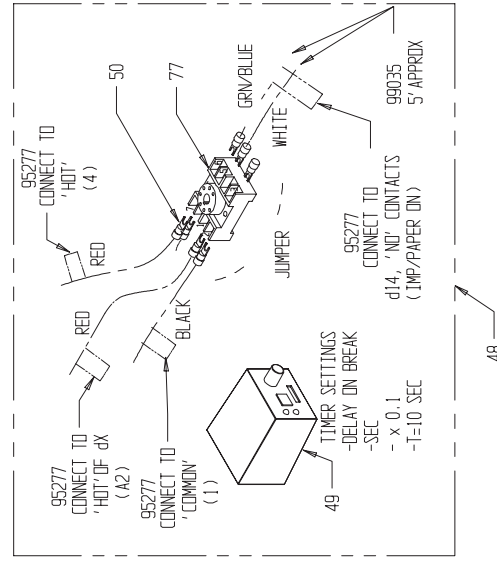
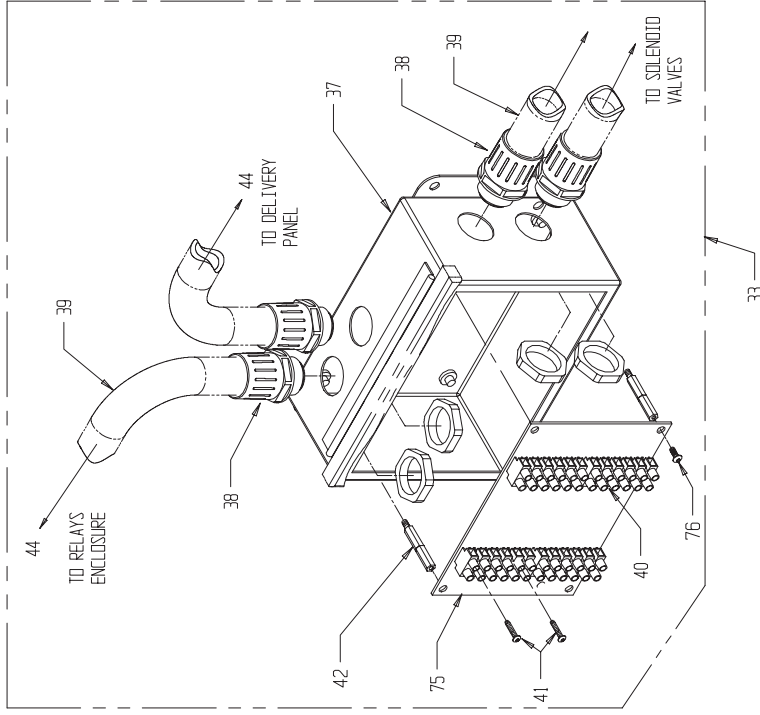
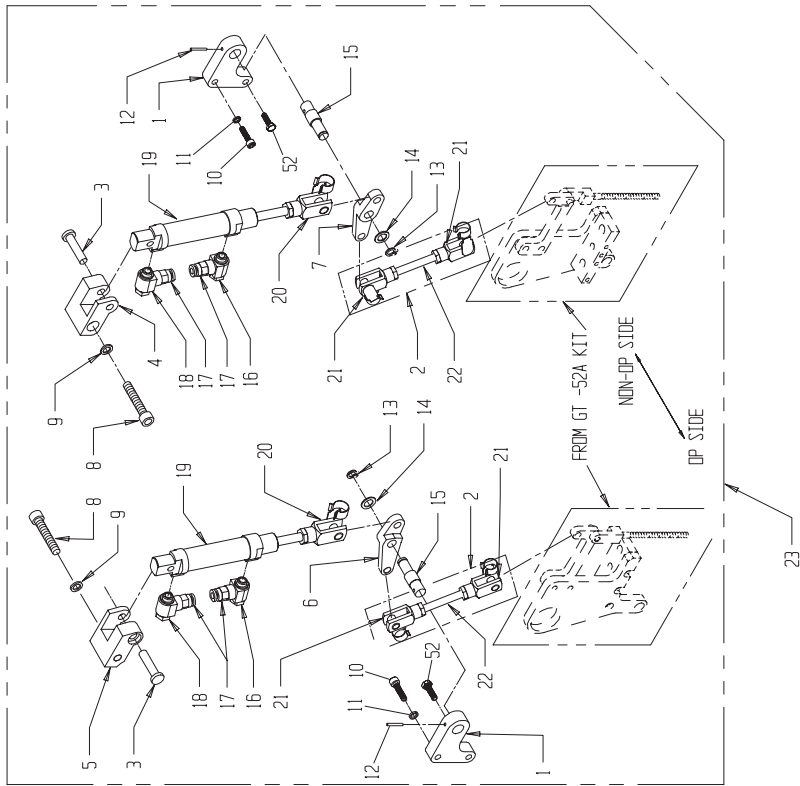
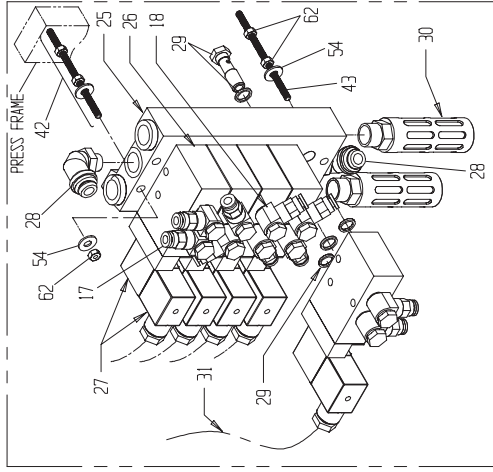
AR = AS REQUIRED
 * INCLUDED WITH OUTLINE SUB ASSY.
 ** ITEM 27; 95018(120V), 95184(240V)

ITEM	PART NO	DESCRIPTION	QTY.
50.	099675	CONNECTOR, SPADE	*
49.	099615	RELAY, TIMER	*
48.	095098	AUTO ON/OFF KIT, DELAY	1
47.	092089	TIE WRAP, 11"	10*
46.	092053	TIE WRAP	20*
45.	099033	MARKER	*
44.	099035	ELEC COND, RED, WHT, GRN, BLK, ,5'	1*
43	095286	ROD, THREADED, M6	*
42.	095285	ROD, THREADED ASSY	2
41.	099656	SCREW, 6-32 x 7/8 LG	*
40.	099626	MULTI-TERMINAL	*
39.	095085	CONDUIT, 23 FT	*
38.	095084	FITTING, LOCKNUT, CONDUIT	*
37.	095082	ENCLOSURE, REWORK	*
36.	099111	BRACKET	*
35.	095053	FTG, ELBOW, 1/4-8MM	1*
34.	099079	FILTER, REGULATOR	*
33.	095146	JUNCTION, BOX, ASSY	1
32.	095144	FILTER/REG ASSY	1
31.	095096	ELECTRIC CONDUCTOR, 4' LG	*
30.	095016	SILENCER	*
29.	095015	SCREW, HOLLOW	*
28.	095073	FITTING ELBOW, 3/8-8MM OD	*
27.	**	COIL WITH SOCKET, 120V DR 240V	*
26.	095017	VALVE, SOLENOID	*
ITEM	PART NO	DESCRIPTION	QTY.

**ITEM 24; 5-CLR, 095081(120V), 095256(240V)
 4-CLR, 095254(120V), 095188(240V)

**ITEM 25; 095014(5 CLR), 095187(4CLR)

ITEM	PART NO	DESCRIPTION	QTY.
25.	**	MANIFOLD, VALVES	*
24.	**	VALVE, MANIFOLD ASSY	1
23.	095145	AIR CYL & LINK ASSY	5 AR
22.	095012	STUD, LINK	*
21.	095009	CLEVIS	*
20.	095008	CLEVIS, REWORK, WITH PIN	*
19.	095002	CYLINDER, AIR	*
18.	099008	FTG, EL, 1/8-6MM	*
17.	095019	FTG, ST, 1/8-6MM	*
16.	099006	VALVE SPEED CONTROL	*
15.	095683	PIVOT SHAFT	*
14.	091956	10 MM x 16 MM x 1MM WASHER	*
13.	091665	10 MM RETAINING RING	*
12.	091938	3MM x 25MM ROLL PIN	*
11.	091637	BELLVILLE WASHER .264 x .374	*
10.	091786	M6 x 25MM CAP SCREW	*
9.	091638	BELLVILLE WASHER .331 x .512	*
8.	091603	M8 x 45MM CAP SCREW	*
7.	095007	NON-OP PIVOT ARM	*
6.	095006	OP-SIDE PIVOT ARM	*
5.	095005	OP-SIDE AIR CYLINDER BRACKET	*
4.	095004	NON-OP AIR CYLINDER BRACKET	*
3.	095003	AIR CYLINDER PIN	*
2.	095011	LINKAGE ASSEMBLY	*
1.	095001	LINKAGE BRACKET	*
ITEM	PART NO	DESCRIPTION	QTY.

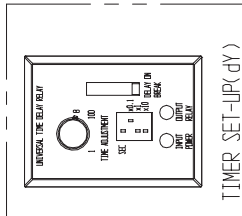


PNEUMATIC SCHEMATIC

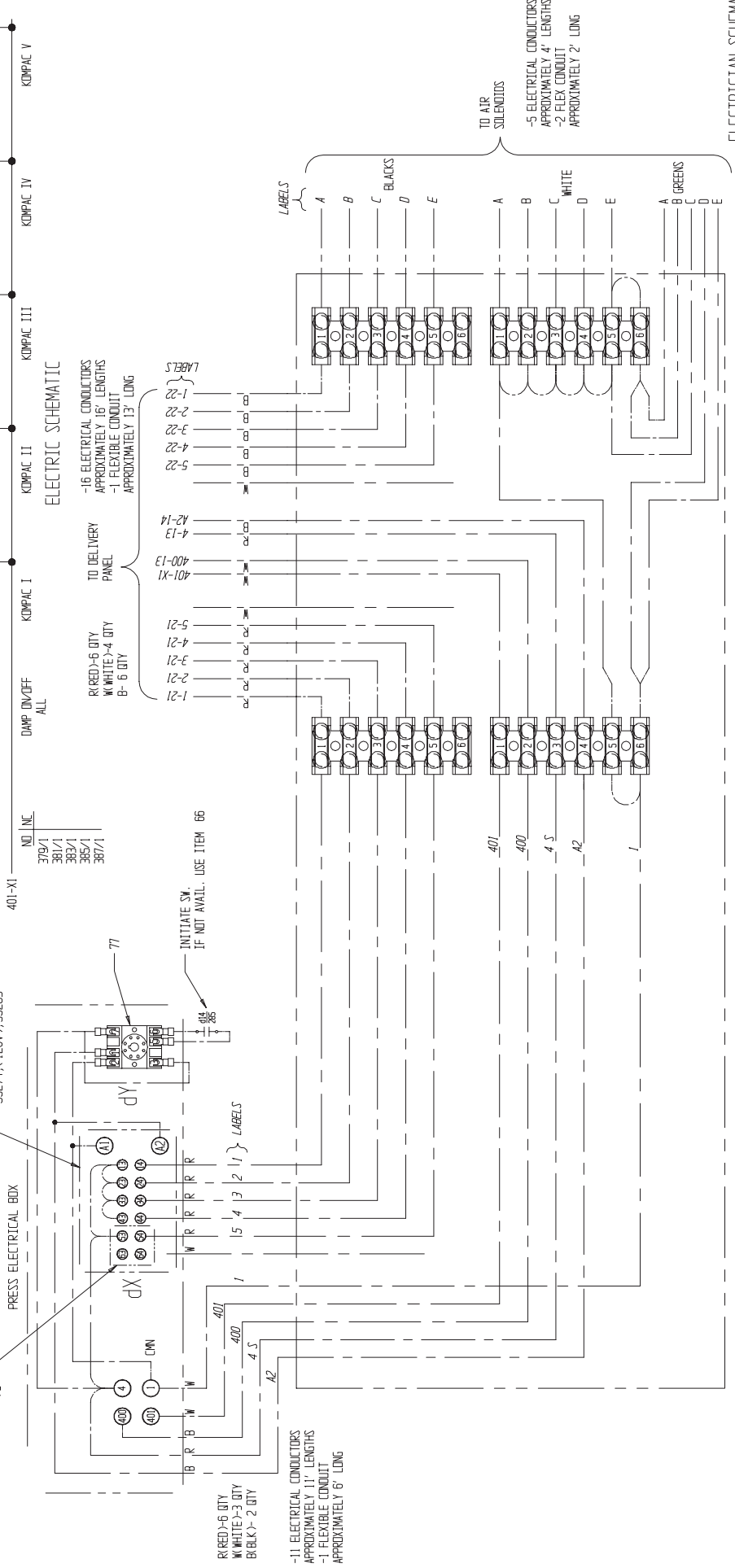
SCHEMATIC

PARTS CATALOG # 095139-A

1. START BY ROUTING CONDUITS TO ENCL., DEL'Y, PANEL AND VALVES.
2. MOUNT RELAYS, TIMERS, AND SWITCHES.
3. LOCATE TERMINAL STRIPS 400, 4, 1, 401, & CONNECT LABELED WIRES PER SCHEMATIC.
4. USE WHITE WIRES FOR JUMPERS.
5. NON LABELED WIRES ARE SPARES.



ASSY: 5 CLR 4 CLR
95273, (240V), 95284
95274, (120V), 95283



PAGE 3 OF 3