

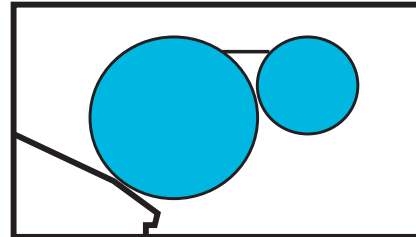
Date of Installation : _____

Unit Serial Number : _____

Kompac Dealer : _____

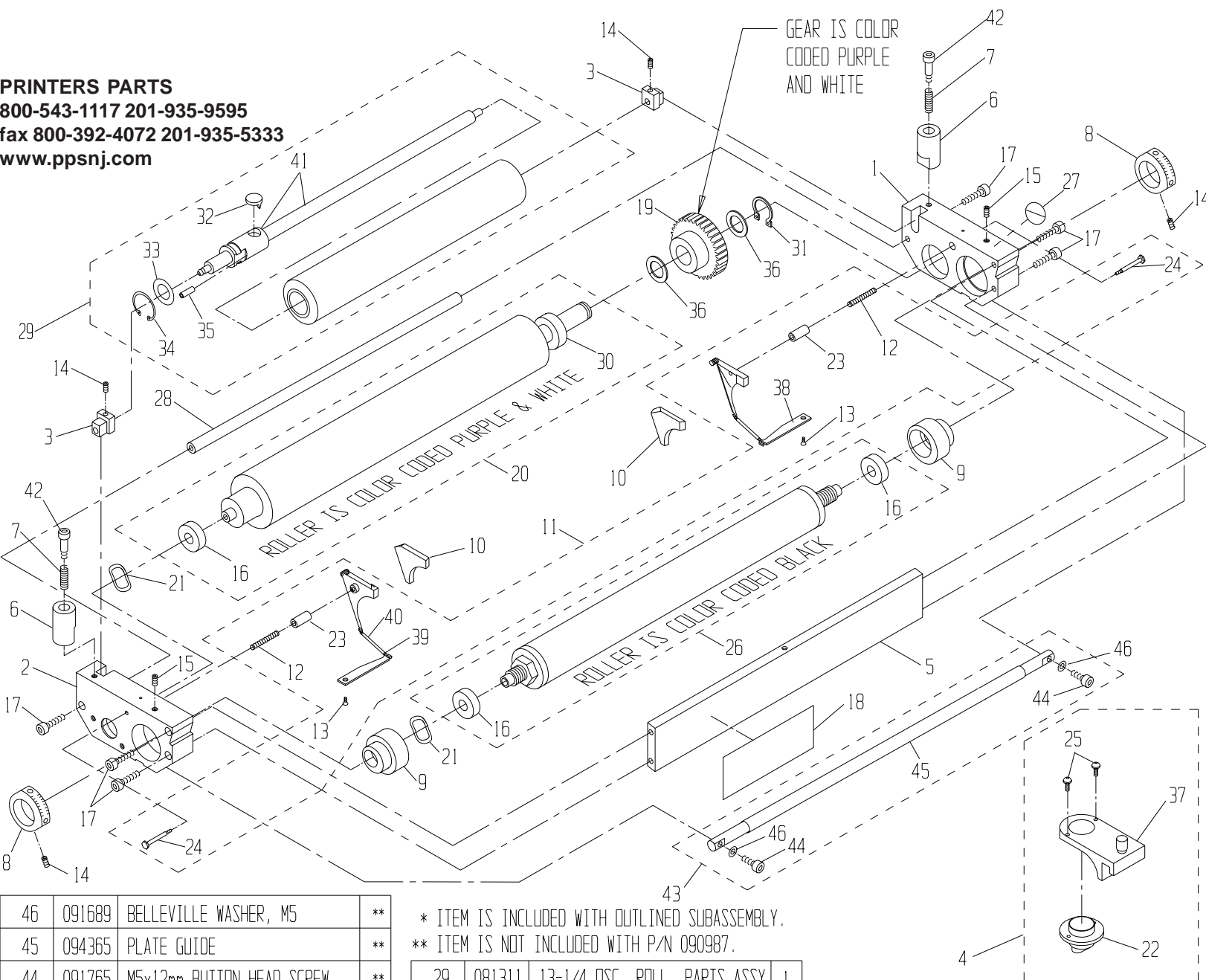
PRINTERS PARTS
800-543-1117 201-935-9595
fax 800-392-4072 201-935-5333
www.ppsnj.com

***VARN* Kompac[®]**



MODEL : HMD-234
PARTS CATALOG # 90892 REV.D

PRINTERS PARTS
 800-543-1117 201-935-9595
 fax 800-392-4072 201-935-5333
 www.ppsnj.com

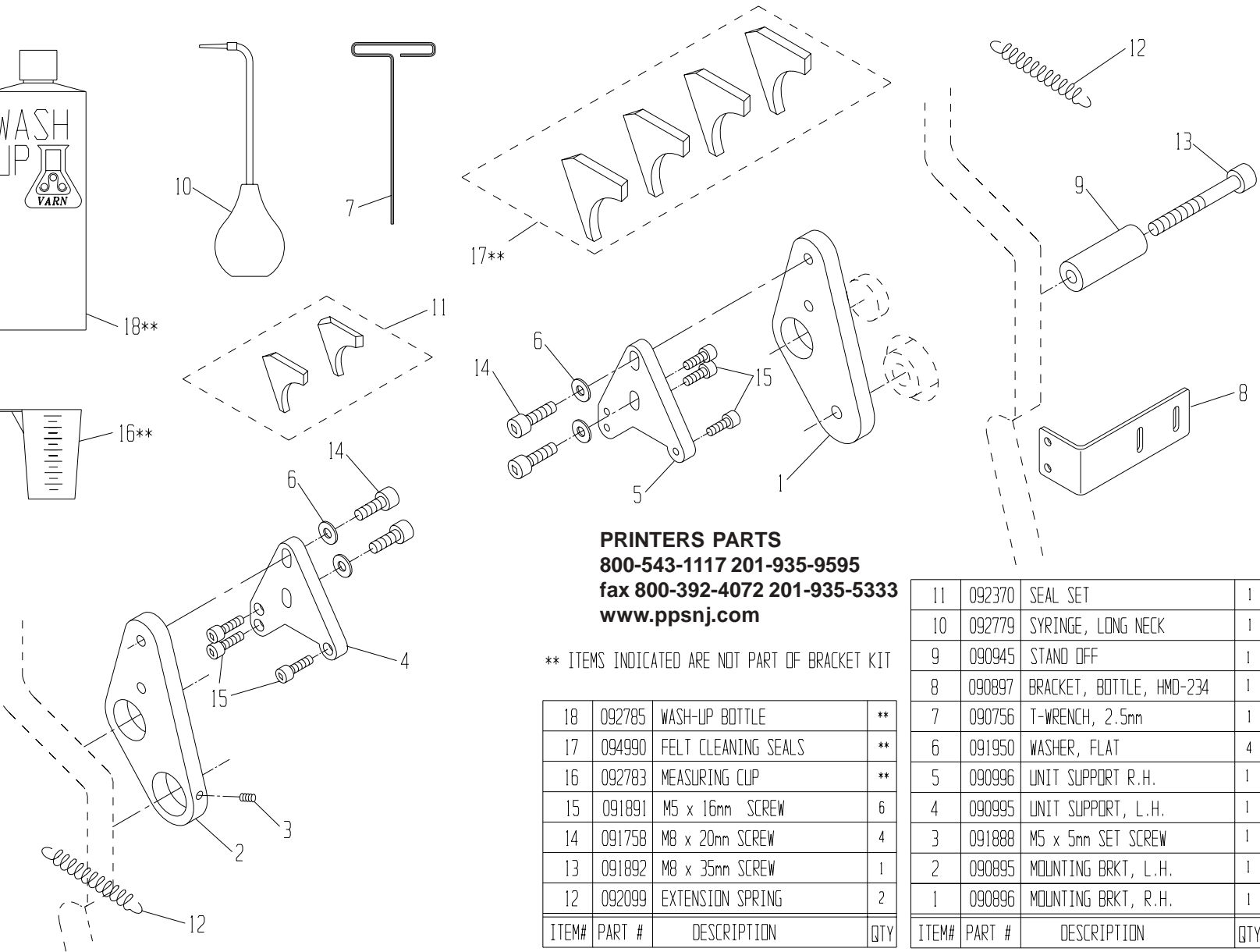


46	091689	BELLEVILLE WASHER, M5	**
45	094365	PLATE GUIDE	**
44	091765	M5x12mm BUTTON HEAD SCREW	**
43	090879	PLATE GUIDE ASSY	**
42	091708	SHOULDER SCREW, 6mm	2
41	091262	SHAFT ASSY, S.S.	*
40	092259	SPRING COVER	*
39	092236	TAB SPRING	*
38	090971	TAB, SHORT	*
37	094997	BRACKET, NOZZLE	*
36	091966	WASHER, FLAT	2
35	091949	SPRING PIN	*
34	091997	OSC. RETAINING CLIP	*
33	091965	OSC. RETAINING WASHER	*
32	091111	OSC. DRIVE SHAFT FOLLOWER	*
31	091662	RETAINING RING	1
30	092586	BEARING	*
ITEM#	PART #	DESCRIPTION	QTY

* ITEM IS INCLUDED WITH OUTLINED SUBASSEMBLY.
 ** ITEM IS NOT INCLUDED WITH P/N 090987.

29	081311	13-1/4 OSC. ROLL. PARTS ASSY	1
28	090989	TIE ROD	1
27	092601	SAFETY STICKER	1
26	094240	13-1/4" METERING ROLLER W/B	1
25	091907	#6-32 X 3/8 PHILLIPS HD SCW	*
24	092296	SHOULDER SCREW	*
23	092304	GUIDE PIN	*
22	092604	NOZZLE	*
21	092491	WAVE WASHER	2
20	090973	13-1/4" FORM ROLLER W/B	1
19	090959	GEAR CLUTCH ASSY, HMD-34	1
18	090984	I.D. STICKER (HAMADA)	1
17	091898	M5 x 35mm SOC. HD. SCREW	6
16	092401	BEARING	*
15	091904	M5 x 16mm SET SCREW	2
ITEM#	PART #	DESCRIPTION	QTY

14	091888	M5 x 5mm SET SCREW	4
13	091901	M3 x 6mm SOC HD SCREW	*
12	092238	COMPRESSION SPRING	*
11	090970	BACKING PLATE KIT (HAMADA)	1
10	092370	SEAL SET (L & R)	1
9	092291	ECCENTRIC	2
8	092612	METERING GAUGE	2
7	092007	SPRING, COMPRESSION	2
6	094991	OSCILLATOR POST	2
5	090979	TIE BAR	1
4	098750	BRACKET NOZZLE ASSEMBLY	1
3	090985	ALIGNMENT BLOCK	2
2	090993	L.H. END FRAME	1
1	090994	R.H. END FRAME	1
ITEM#	PART #	DESCRIPTION	QTY



PRINTERS PARTS
800-543-1117 201-935-9595
fax 800-392-4072 201-935-5333
www.ppsnj.com

** ITEMS INDICATED ARE NOT PART OF BRACKET KIT

18	092785	WASH-UP BOTTLE	**
17	094990	FELT CLEANING SEALS	**
16	092783	MEASURING CUP	**
15	091891	M5 x 16mm SCREW	6
14	091758	M8 x 20mm SCREW	4
13	091892	M8 x 35mm SCREW	1
12	092099	EXTENSION SPRING	2
ITEM#	PART #	DESCRIPTION	QTY

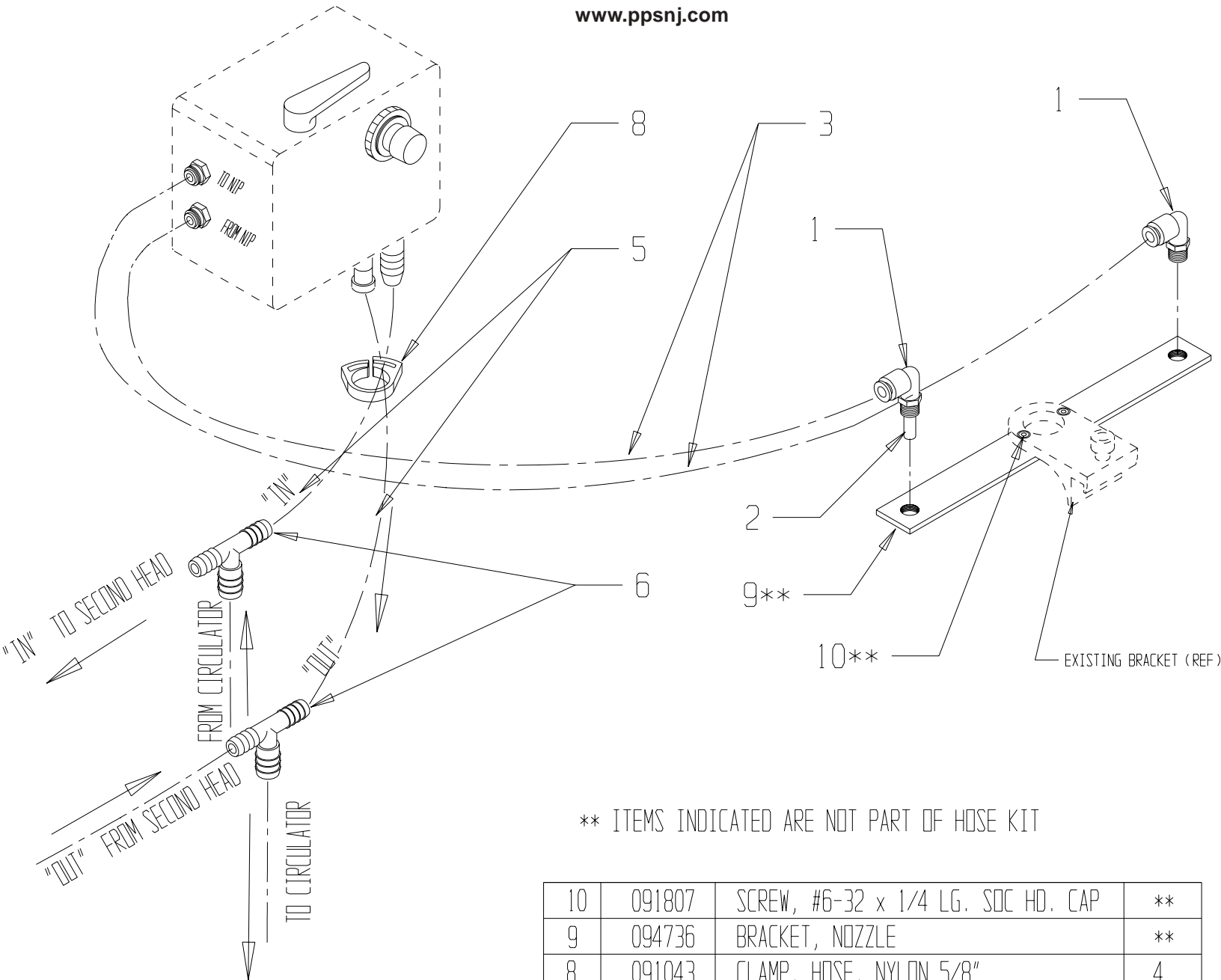
11	092370	SEAL SET	1
10	092779	SYRINGE, LONG NECK	1
9	090945	STAND OFF	1
8	090897	BRACKET, BOTTLE, HMD-234	1
7	090756	T-WRENCH, 2.5mm	1
6	091950	WASHER, FLAT	4
5	090996	UNIT SUPPORT R.H.	1
4	090995	UNIT SUPPORT, L.H.	1
3	091888	M5 x 5mm SET SCREW	1
2	090895	MOUNTING BRKT, L.H.	1
1	090896	MOUNTING BRKT, R.H.	1
ITEM#	PART #	DESCRIPTION	QTY

PRINTERS PARTS

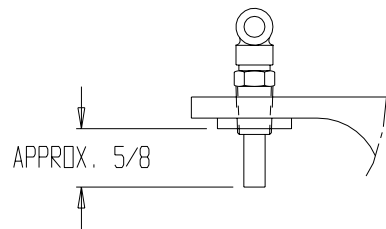
800-543-1117 201-935-9595

fax 800-392-4072 201-935-5333

www.ppsnj.com



** ITEMS INDICATED ARE NOT PART OF HOSE KIT



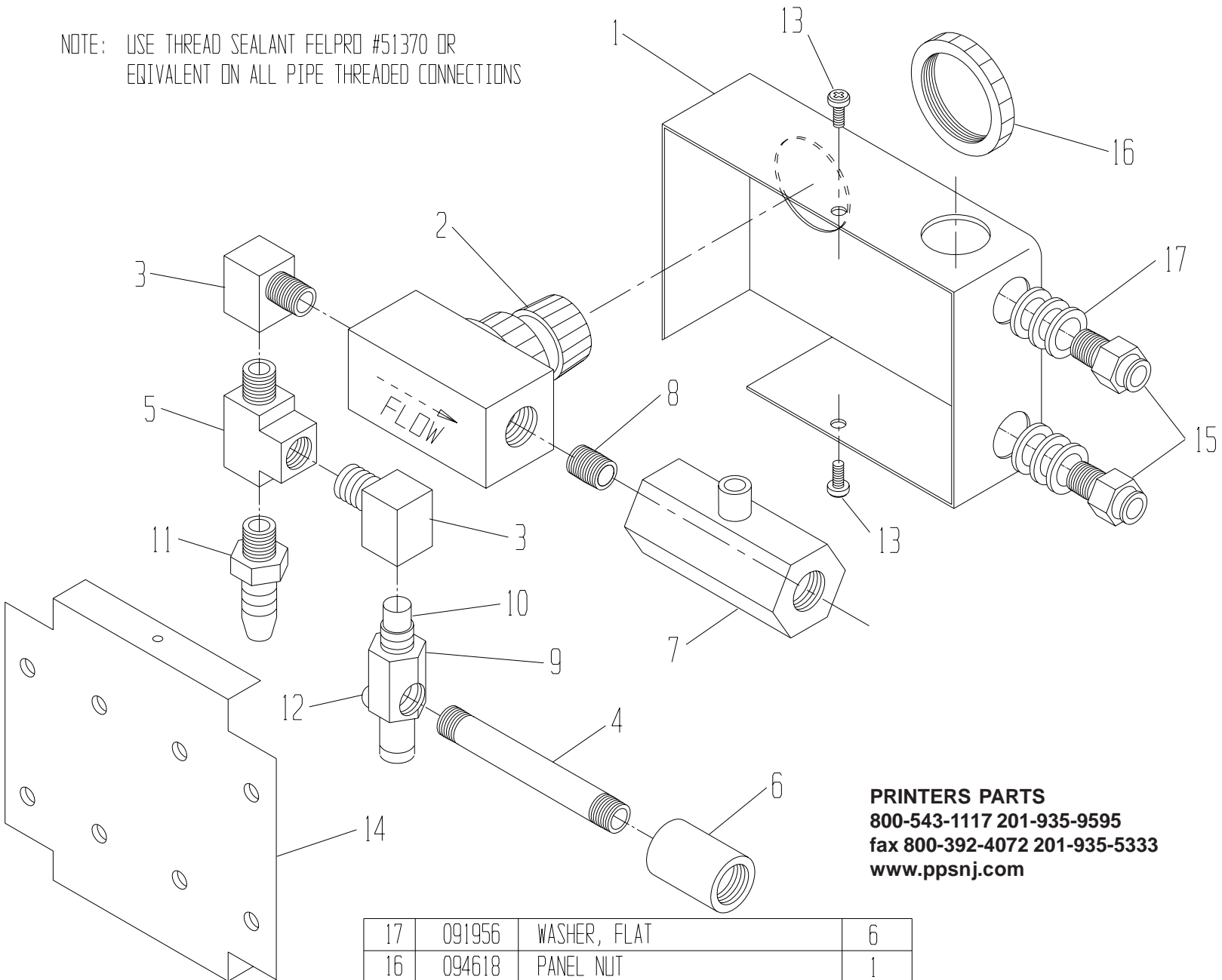
CUT TUBING ITEM #2 TO LENGTH AT INSTALLATION.

10	091807	SCREW, #6-32 x 1/4 LG. SOC HD. CAP	**
9	094736	BRACKET, NOZZLE	**
8	091043	CLAMP, HOSE, NYLON 5/8"	4
7	091063	CLAMP, HOSE, NYLON 3/4"	4
6	091077	BARB TEE 1/2 X 3/8 X 3/8	1
5	091081	PVC FLEX. TUBING 3/8 I.D. X 5/8 O.D.	1
4			
3	091079	TUBING 1/4 O.D. X .170 I.D.(POLYETH)	1
2	091078	1/4 O.D. TUBING, 2" LG	1
1	094916	ELBOW	2
ITEM	PART NO.	DESCRIPTION	QTY.

RECIRCULATOR SUBASS'Y: P/N 094730

PARTS CATALOG #090892 REV. D

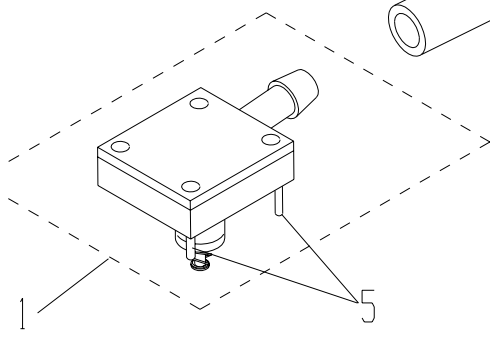
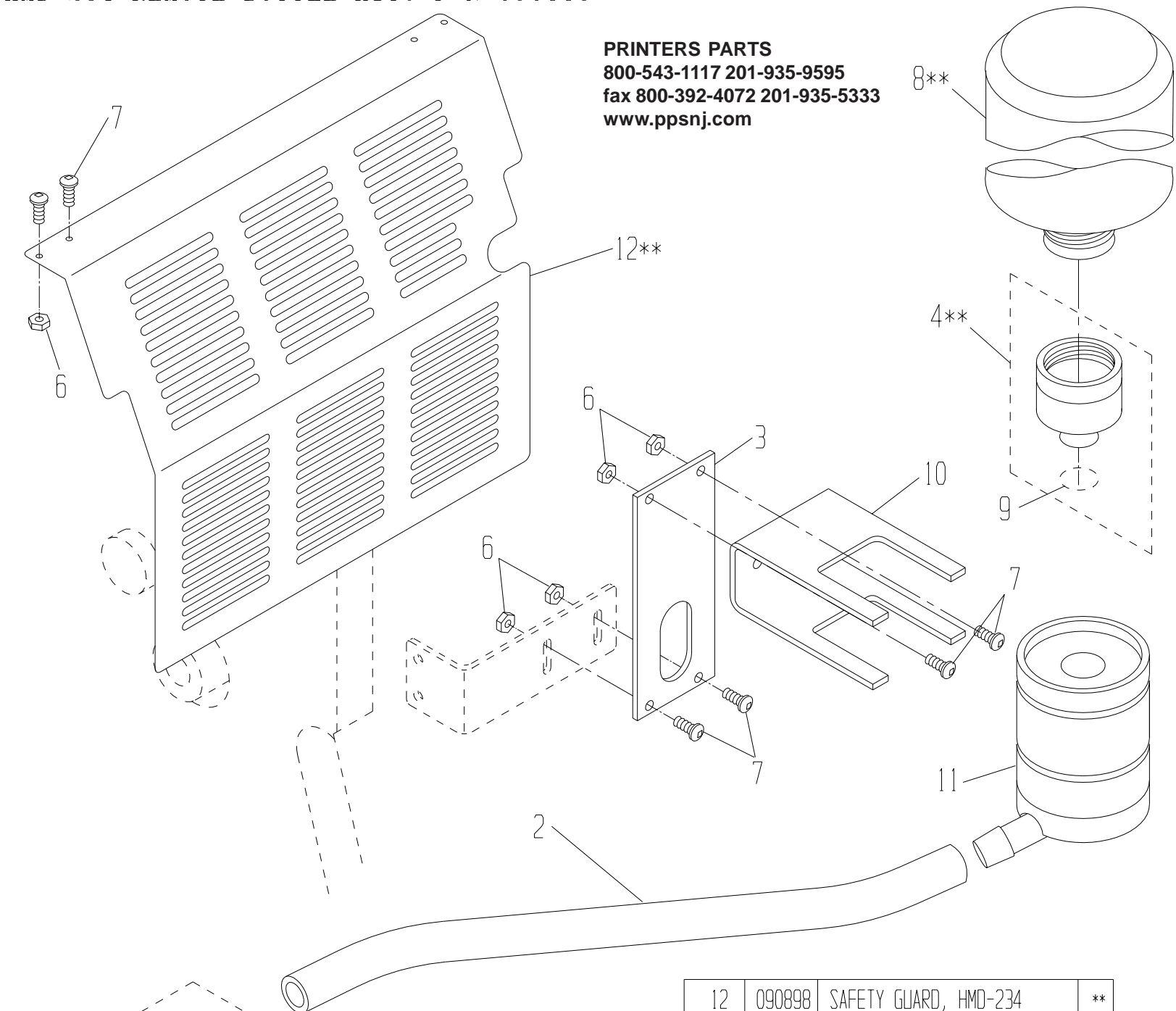
NOTE: USE THREAD SEALANT FELPRO #51370 OR EQUIVALENT ON ALL PIPE THREADED CONNECTIONS



PRINTERS PARTS
 800-543-1117 201-935-9595
 fax 800-392-4072 201-935-5333
 www.ppsnj.com

17	091956	WASHER, FLAT	6
16	094618	PANEL NUT	1
15	095955	CONNECTOR 1/8 NPT x 1/4 HOSE.	2
14	094612	PLATE, MOUNTING	1
13	091907	SCREW #6-32 PAN HD. SELF-TAP	2
12	091824	SCREW #6-32 TRUSS HD.	1
11	091062	FITTING, 1/8 NPT x 3/8 BARB	1
10	095939	TIP, VACUUM	1
09	095938	BODY, VACUUM	1
08	095948	NIPPLE, CLOSE, 1/8 NPT	1
07	095949	BALL VALVE	1
06	094616	COUPLING, 1/8 NPT	1
05	094613	TEE, STREET, 1/8 NPT	1
04	094615	NIPPLE, LONG, 1/8 NPT	1
03	094614	ELBOW, STREET, 1/8 NPT	2
02	094617	NEEDLE VALVE	1
01	094611	ENCLOSURE	1
ITEM	PART NO.	DESCRIPTION	QTY.

PRINTERS PARTS
 800-543-1117 201-935-9595
 fax 800-392-4072 201-935-5333
 www.ppsnj.com



12	090898	SAFETY GUARD, HMD-234	**
11	092740	BOTTLE VALVE ASSY	1
10	092749	UNIVERSAL BOTTLE BRACKET	1
9	092765	DISPENSING VALVE O-RING	*
8	092771	ROUND CALIBRATED BOTTLE	**
7	091765	M5 x 12mm SCREW	8
6	091752	M5 NUT	8
5	091735	ROLL PIN , 3/32 DIA.	*
4	092760	DISPENSING VALVE ASSY	**
3	092748	UNIVERSAL BRACKET	1
2	092756	1/2" VINYL TUBING	1
1	090968	ASSY, BASE (HAMADA)	1
ITEM#	PART #	DESCRIPTION	QTY

* PART IS INCLUDED IN OUTLINED SUBASSEMBLY.
 ** ITEMS INDICATED ARE NOT PART OF REMOTE BOTTLE KIT