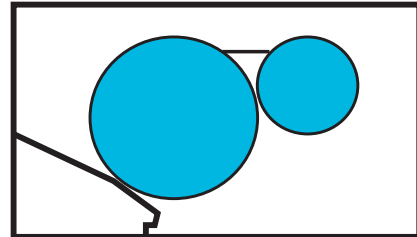


Date of Installation : \_\_\_\_\_

Unit Serial Number : \_\_\_\_\_

Kompac Dealer : \_\_\_\_\_  
PRINTERS PARTS  
800-543-1117 201-935-9595  
fax 800-392-4072 201-935-5333  
www.ppsnj.com

***VARN***  
**Kompac<sup>®</sup>**



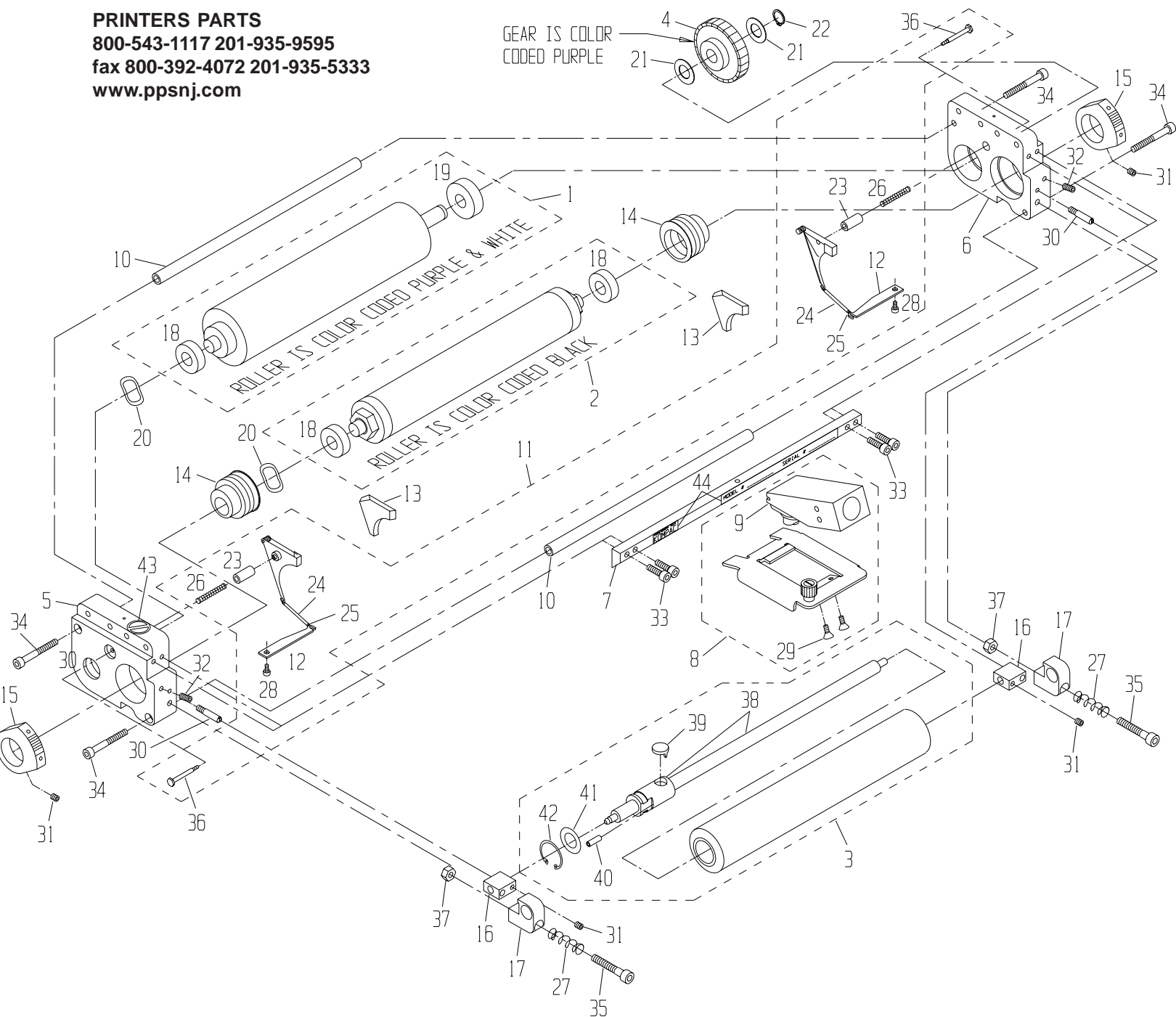
**MODEL : HMD-34-2-0**  
PARTS CATALOG # 93242 REV.E

**PRINTERS PARTS**

800-543-1117 201-935-9595

fax 800-392-4072 201-935-5333

www.ppsnj.com



\* PART IS INCLUDED WITH OUTLINED SUBASSEMBLY

ITEM	PART #	DESCRIPTION	QTY.
44.	095854	STICKER, I.D.	1
43.	092601	WARNING STICKER (INWARD NIP)	1
42.	091997	OSC. RETAINING CLIP	*
41.	091965	OSC. RETAINING WASHER	*
40.	091949	SPRING PIN (5/32x1/2")	*
39.	091117	OSC. DRIVE SHAFT FOLLOWER	*
38.	091262	OSC. SHAFT ASSY, S.S.	*
37.	091753	M6x1 HEX NUT	2
36.	092296	BACK. PLATE SHOULDER SCW, SHORT	*
35.	091762	M6x35mm SOCKET HEAD SCREW	2
34.	091898	M5x35mm SOCKET HEAD SCREW	4
33.	091891	M5x16mm SOCKET HEAD SCREW	4
32.	091897	M5x10mm SET SCREW	2
31.	091888	M5x5mm SET SCREW	4

30.	093174	OSCILLATOR POST, LONG	2
29.	092003	#6 x 1/2" FLT HD PHILLIPS SCW	*
28.	091901	M3x6mm SOCKET HEAD SCREW	*
27.	092007	SPRING, COMPRESSION	2
26.	092238	COMPRESSION SPRING	*
25.	092236	TAB SPRING (EXTENSION)	*
24.	092259	SPRING COVER	*
23.	092304	GUIDE PIN	*
22.	091662	RETAINING RING (12mm)	1
21.	091966	WASHER, FLAT (.478x.878x.02")	2
20.	092491	WAVE WASHER	2
19.	092586	BEARING (12x32x10mm)	*
18.	092401	BEARING (10x26x8mm)	*
17.	094342	SPRING HOUSING	2
16.	093165	BLOCK, OSCILLATOR	2

15.	092612	METERING GAUGE	2
14.	092291	ECCENTRIC	2
13.	092370	KOMPAC SEAL SET	1
12.	090971	TAB, SHORT	*
11.	090970	BACKING PLATE KIT (HAMADA)	1
10.	090989	TIE ROD	2
9.	092700	NOZZLE ASSEMBLY	*
8.	093215	ASSY, BRACKET NOZZLE	1
7.	095848	TIE PLATE (ST)	1
6.	093198	END FRAME, R.H.	1
5.	093197	END FRAME, L.H.	1
4.	090969	GEAR CLUTCH ASSY	1
3.	091311	13-1/4" OSC. ROLLER PARTS ASSY	1
2.	094240	13-1/4" METERING ROLLER W/B	1
1.	090973	FORM ROLLER (HMD 13-1/4") W/B	1

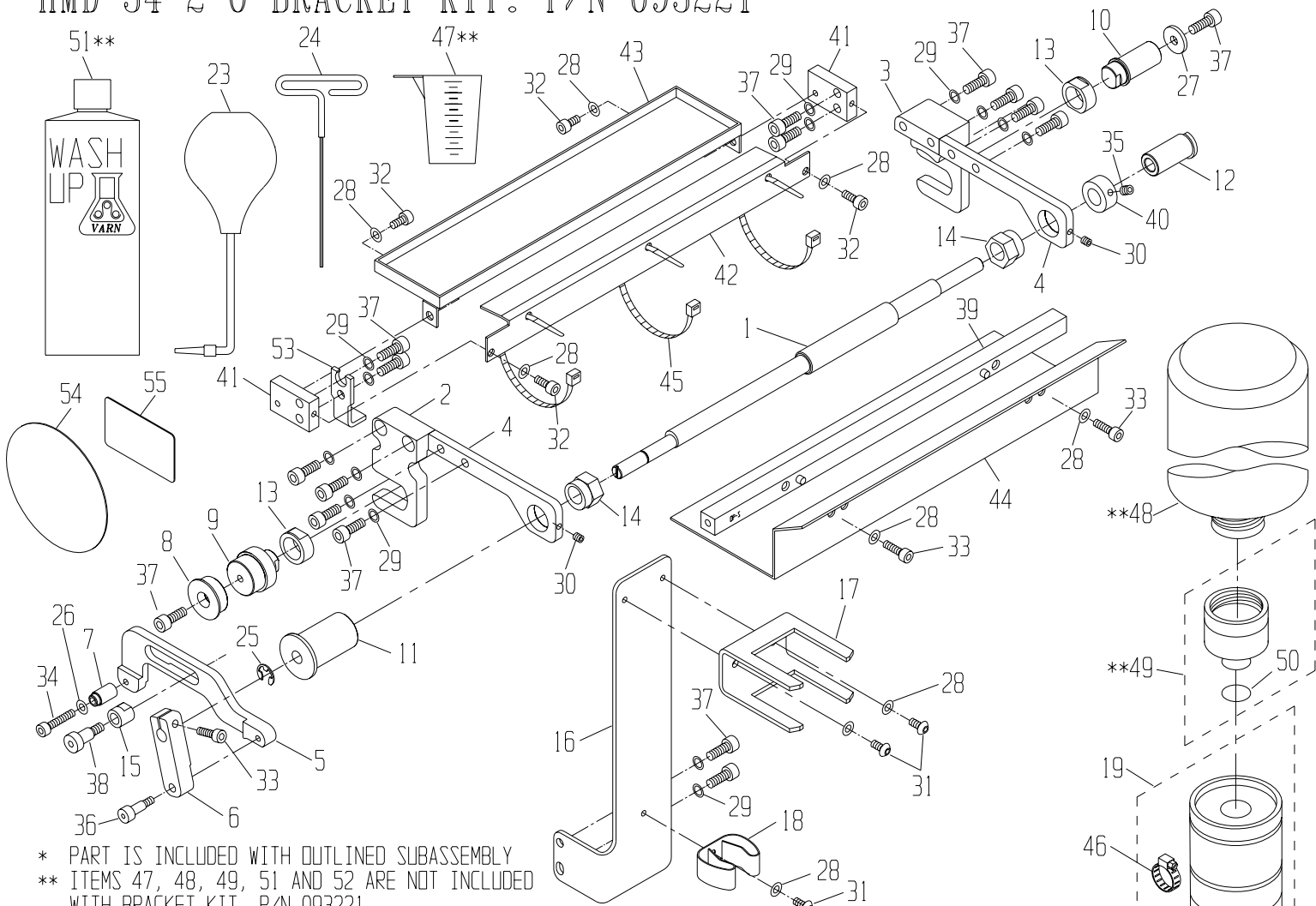
ITEM	PART #	DESCRIPTION	QTY.
------	--------	-------------	------

ITEM	PART #	DESCRIPTION	QTY.
------	--------	-------------	------

ITEM	PART #	DESCRIPTION	QTY.
------	--------	-------------	------

# HMD-34-2-0 BRACKET KIT: P/N 093221

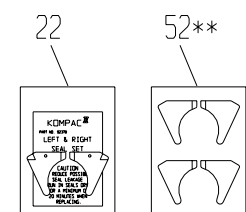
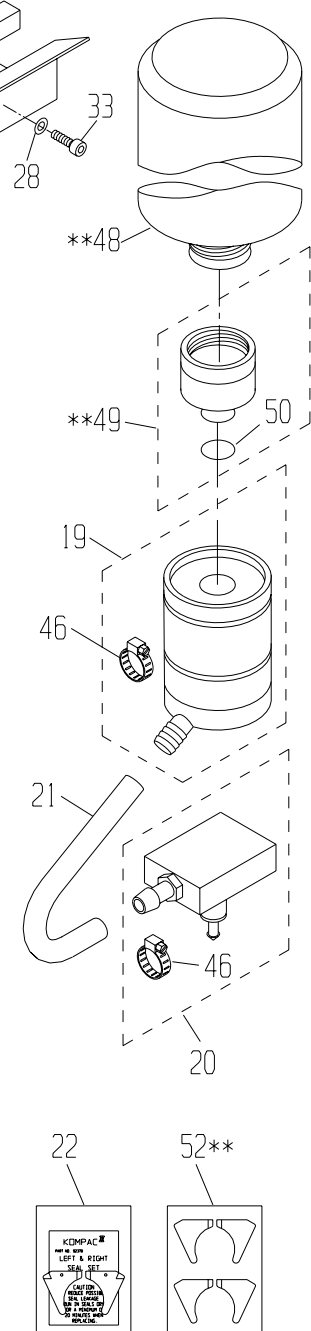
PARTS CATALOG P/N 093242 REV. E



\* PART IS INCLUDED WITH OUTLINED SUBASSEMBLY  
 \*\* ITEMS 47, 48, 49, 51 AND 52 ARE NOT INCLUDED WITH BRACKET KIT, P/N 093221

ITEM	PART #	DESCRIPTION	QTY.
55.	094408	RECTANGLE STICKER	1
54.	093923	3-5/8" DIA. STICKER	1
53.	093248	HEAD STOP BRACKET	1
52.	094990	KOMPAC CLEANING SEALS (4)	**
51.	092785	WASH-UP BOTTLE	**
50.	092765	DISPENSING VALVE O-RING	*
49.	092760	DISPENSING VALVE ASSEMBLY	**
48.	092771	ROUND CALIBRATED BOTTLE	**
47.	092783	MEASURING CLIP	**
46.	091911	CLAMP, ADJUSTABLE 1/4"-25/32"	*
45.	092053	NYLON CABLE TIE	3
44.	093238	SAFETY GUARD, TIE BAR	1
43.	093237	DRIP PAN	1
42.	093236	SHIELD, WIRE	1
41.	093235	BRACKET, DRIP PAN	2
40.	093175	COLLAR, SET SCREW, .562 I.D.	1
39.	093209	TIE BAR, PRESS	1
38.	091712	M8x12mm SHOULDER SCREW	1
37.	092024	M6x16mm SOCKET HEAD SCREW	16
36.	091709	M6x12mm SHOULDER SCREW	1
35.	091700	M6x6mm CLIP POINT SET SCREW	*
34.	091789	M5x25mm SOCKET HEAD SCREW	1
33.	091891	M5x16mm SOCKET HEAD SCREW	3
32.	091757	M5x10mm SOCKET HEAD SCREW	4
31.	091768	M5x10mm BUTTON HEAD SCREW	3
30.	091888	M5x5mm SET SCREW	2
29.	091637	WASHER, BELLEVILLE, .264x.374"	14

28.	091689	WASHER, BELLEVILLE (M5)	9
27.	091951	WASHER, .25x.75x.12"	1
26.	091978	WASHER, M5 FLAT	1
25.	091680	E-RING, 8mm	1
24.	090756	T-WRENCH, 2.5mm	1
23.	092779	KOMPAC LONG NECK SYRINGE	1
22.	092370	KOMPAC SEAL SET	1
21.	092756	1/2" VINYL TUBING	1
20.	092750	ADAPTER BASE ASSEMBLY	1
19.	092740	BOTTLE VALVE ASSEMBLY	1
18.	091672	SPRING CLIP	1
17.	092749	UNIVERSAL BOTTLE BRACKET	1
16.	093166	BRACKET, BOTTLE	1
15.	093151	BUSHING, ON/OFF EXTENSION	1
14.	093272	ECCENTRIC, ON/OFF	2
13.	093155	BUSHING, UNIT	2
12.	093232	BUSHING, ON/OFF, R.H.	1
11.	093231	BUSHING, ON/OFF, L.H.	1
10.	093229	STUB SHAFT, R.H.	1
9.	093228	STUB SHAFT, L.H.	1
8.	093234	WASHER, SPECIAL	1
7.	093233	SPACER, ON/OFF BRACKET	1
6.	093227	ARM, ON/OFF	1
5.	093225	EXTENSION, ON/OFF	1
4.	093222	BRACKET, ON/OFF	2
3.	093224	BRACKET, SUPPORT, R.H.	1
2.	093223	BRACKET, SUPPORT, L.H.	1
1.	093226	SHAFT, ON/OFF	1



**PRINTERS PARTS**  
 800-543-1117 201-935-9595  
 fax 800-392-4072 201-935-5333  
 www.ppsnj.com

ITEM	PART #	DESCRIPTION	QTY.
------	--------	-------------	------

ITEM	PART #	DESCRIPTION	QTY.
------	--------	-------------	------