

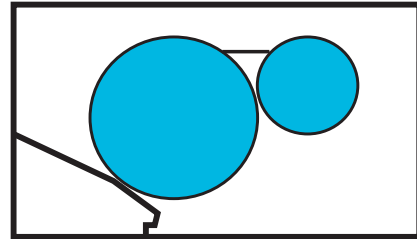
Date of Installation : \_\_\_\_\_

Unit Serial Number : \_\_\_\_\_

Kompac Dealer : \_\_\_\_\_

PRINTERS PARTS  
800-543-1117 201-935-9595  
fax 800-392-4072 201-935-5333  
www.ppsnj.com

***VARN***  
**Kompac<sup>®</sup>**



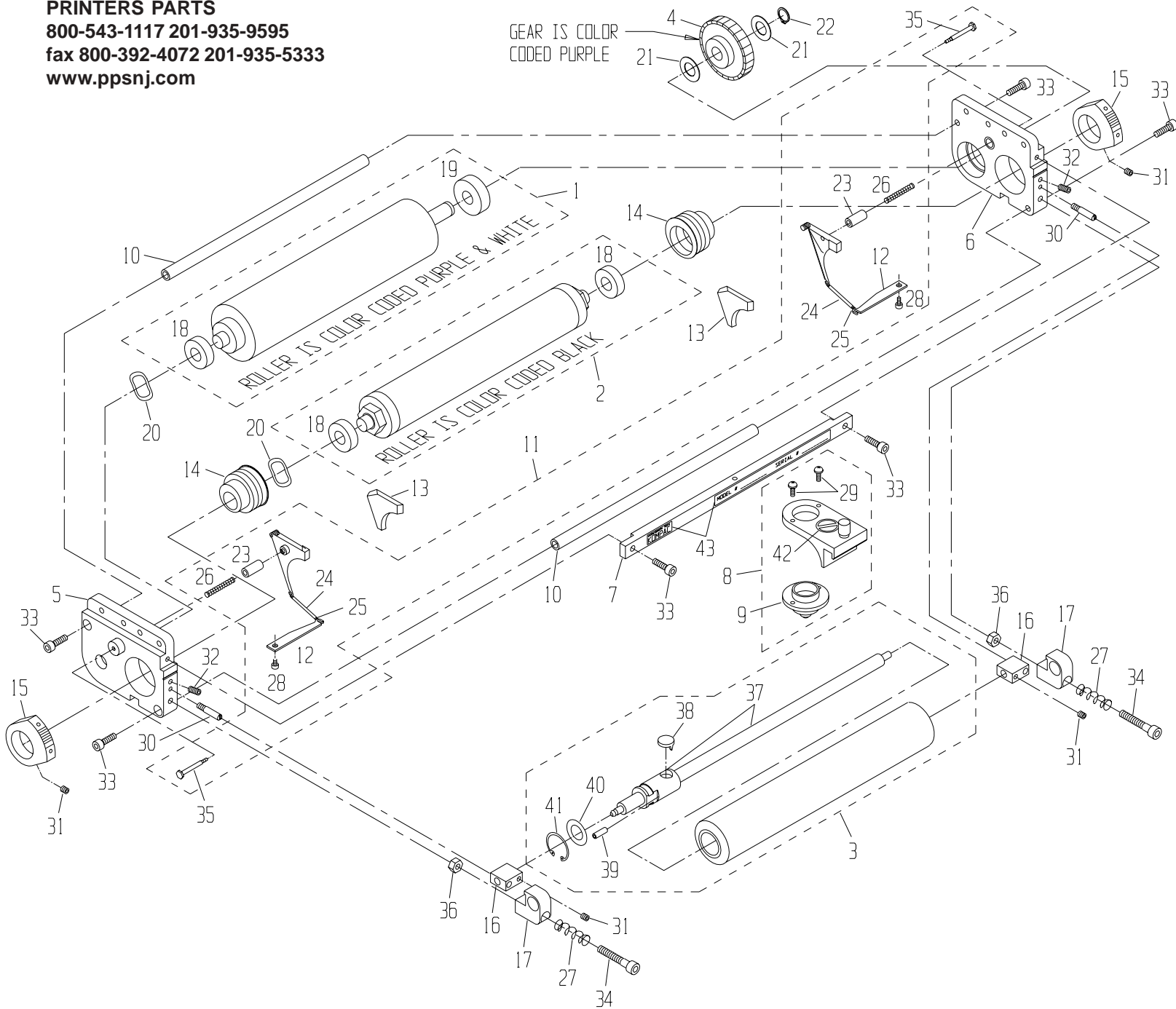
**MODEL : HMD-47-2-0**  
PARTS CATALOG # 93252 REV.A

**PRINTERS PARTS**

800-543-1117 201-935-9595

fax 800-392-4072 201-935-5333

www.ppsnj.com



\* PART IS INCLUDED WITH OUTLINED SUBASSEMBLY

| ITEM | PART # | DESCRIPTION                     | QTY. |
|------|--------|---------------------------------|------|
| 43.  | 095854 | STICKER, I.D.                   | 1    |
| 42.  | 092601 | WARNING STICKER (INWARD NIP)    | 1    |
| 41.  | 091997 | OSC. RETAINING CLIP             | *    |
| 40.  | 091965 | OSC. RETAINING WASHER           | *    |
| 39.  | 091949 | SPRING PIN (5/32x1/2")          | *    |
| 38.  | 091111 | OSC. DRIVE SHAFT FOLLOWER       | *    |
| 37.  | 091252 | OSC. SHAFT ASSY, L.S.           | *    |
| 36.  | 091753 | M6x1 HEX NUT                    | 2    |
| 35.  | 092296 | BACK. PLATE SHOULDER SCW, SHORT | *    |
| 34.  | 091762 | M6x35mm SOCKET HEAD SCREW       | 2    |
| 33.  | 091891 | M5x16mm SOCKET HEAD SCREW       | 6    |
| 32.  | 091897 | M5x10mm SET SCREW               | 2    |
| 31.  | 091888 | M5x5mm SET SCREW                | 4    |

|     |        |                                |   |
|-----|--------|--------------------------------|---|
| 30. | 093174 | OSCILLATOR POST, LONG          | 2 |
| 29. | 091907 | #6-32x3/8" PHILLIPS HEAD SCREW | * |
| 28. | 091901 | M3x6mm SOCKET HEAD SCREW       | * |
| 27. | 092007 | SPRING, COMPRESSION            | 2 |
| 26. | 092238 | COMPRESSION SPRING             | * |
| 25. | 092236 | TAB SPRING (EXTENSION)         | * |
| 24. | 092259 | SPRING COVER                   | * |
| 23. | 092304 | GUIDE PIN                      | * |
| 22. | 091662 | RETAINING RING (12mm)          | 1 |
| 21. | 091966 | WASHER, FLAT (.478x.878x.02")  | 2 |
| 20. | 092491 | WAVE WASHER                    | 2 |
| 19. | 092586 | BEARING (12x32x10mm)           | * |
| 18. | 092401 | BEARING (10x26x8mm)            | * |
| 17. | 094342 | SPRING HOUSING                 | 2 |
| 16. | 093165 | BLOCK, OSCILLATOR              | 2 |

|     |        |                                |   |
|-----|--------|--------------------------------|---|
| 15. | 092612 | METERING GAUGE                 | 2 |
| 14. | 092291 | ECCENTRIC                      | 2 |
| 13. | 092370 | KOMPAC SEAL SET                | 1 |
| 12. | 090971 | TAB, SHORT                     | * |
| 11. | 090970 | BACKING PLATE KIT (HAMADA)     | 1 |
| 10. | 093108 | TIE ROD                        | 2 |
| 9.  | 092604 | NOZZLE                         | * |
| 8.  | 098750 | ASSY, BRACKET NOZZLE           | 1 |
| 7.  | 093164 | TIE PLATE                      | 1 |
| 6.  | 093182 | ASSY, END FRAME, R.H.          | 1 |
| 5.  | 093181 | ASSY, END FRAME, L.H.          | 1 |
| 4.  | 090969 | GEAR CLUTCH ASSY               | 1 |
| 3.  | 091313 | 18-3/8" OSC. ROLLER PARTS ASSY | 1 |
| 2.  | 093129 | METER. ROLLER W/B(HMD 18-3/8") | 1 |
| 1.  | 093121 | FORM ROLLER W/B (HMD 18-3/8")  | 1 |

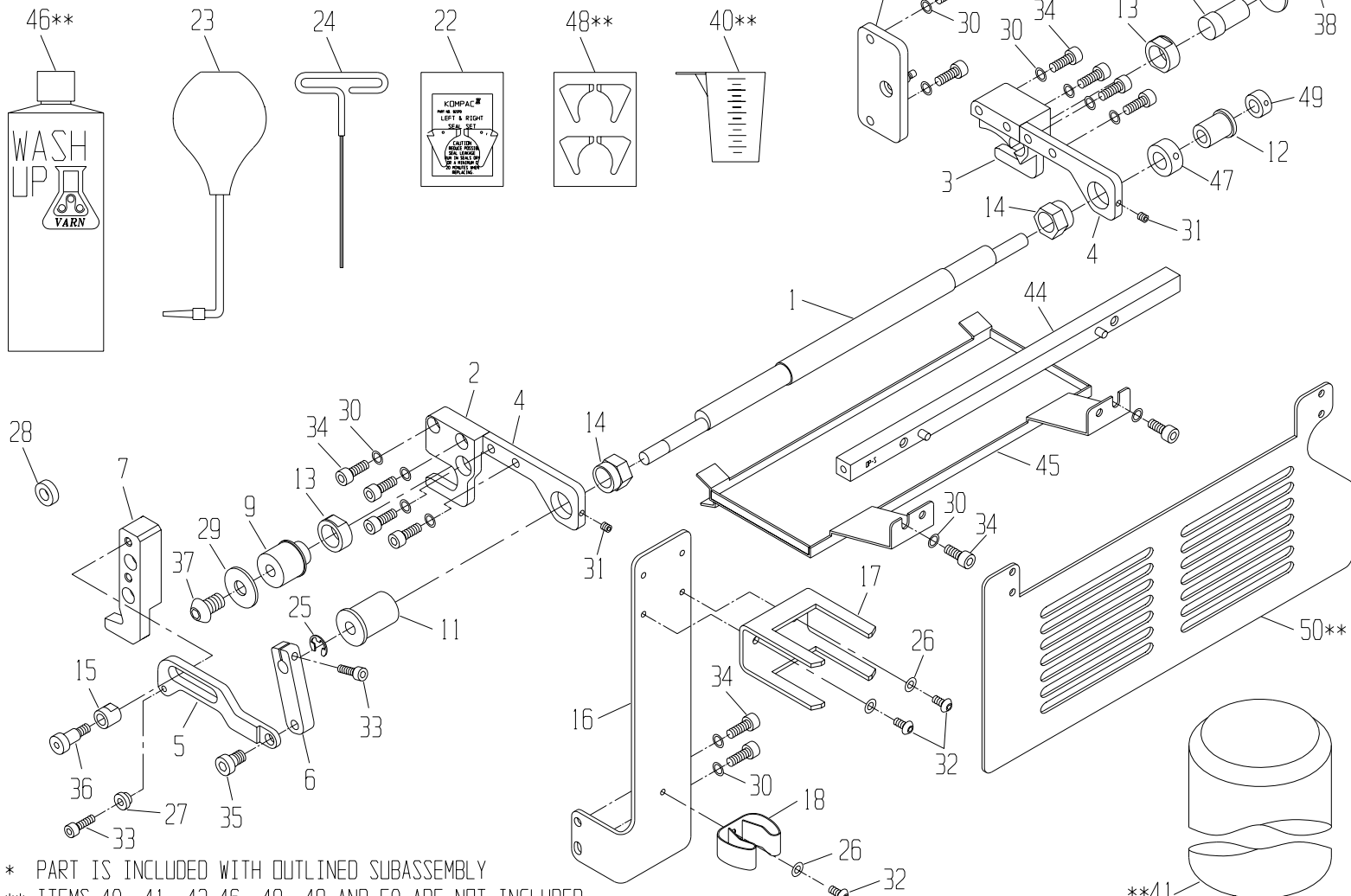
| ITEM | PART # | DESCRIPTION | QTY. |
|------|--------|-------------|------|
|------|--------|-------------|------|

| ITEM | PART # | DESCRIPTION | QTY. |
|------|--------|-------------|------|
|------|--------|-------------|------|

| ITEM | PART # | DESCRIPTION | QTY. |
|------|--------|-------------|------|
|------|--------|-------------|------|

# HMD-47-2 BRACKET KIT: P/N 093142

PARTS CATALOG P/N 093252 REV. A



\* PART IS INCLUDED WITH OUTLINED SUBASSEMBLY  
 \*\* ITEMS 40, 41, 42, 46, 48, 49 AND 50 ARE NOT INCLUDED WITH BRACKET KIT, P/N 093142

| ITEM | PART # | DESCRIPTION                    | QTY. |
|------|--------|--------------------------------|------|
| 50.  | 093173 | SAFETY GUARD                   | **   |
| 49.  | 093176 | COLLAR, SET SCREW, .359 I.D.   | 1    |
| 48.  | 094990 | KOMPAC CLEANING SEALS (4)      | **   |
| 47.  | 093175 | COLLAR, SET SCREW, .562 I.D.   | 1    |
| 46.  | 092785 | WASH-UP BOTTLE                 | **   |
| 45.  | 093168 | DRIP PAN                       | 1    |
| 44.  | 093167 | TIE BAR, PRESS                 | 1    |
| 43.  | 092765 | DISPENSING VALVE O-RING        | *    |
| 42.  | 092760 | DISPENSING VALVE ASSEMBLY      | **   |
| 41.  | 092771 | ROUND CALIBRATED BOTTLE        | **   |
| 40.  | 092783 | MEASURING CUP                  | **   |
| 39.  | 091911 | CLAMP, ADJUSTABLE 1/4"-25/32"  | *    |
| 38.  | 091629 | M10x30mm SOCKET HEAD SCREW     | 1    |
| 37.  | 091767 | M10x16mm BUTTON HEAD CAP SCREW | 1    |
| 36.  | 091712 | M8x12mm SHOULDER SCREW         | 1    |
| 35.  | 091721 | M8x12mm LOW HEAD CAP SCREW     | 1    |
| 34.  | 092024 | M6x16mm SOCKET HEAD SCREW      | 14   |
| 33.  | 091891 | M5x16mm SOCKET HEAD SCREW      | 2    |
| 32.  | 091768 | M5x10mm BUTTON HEAD SCREW      | 3    |
| 31.  | 091888 | M5x5mm SET SCREW               | 2    |
| 30.  | 091637 | WASHER, BELLEVILLE, .264x.374" | 14   |
| 29.  | 091636 | WASHER, M10-WIDE               | 2    |
| 28.  | 092022 | SPACER, .321 x .625" x .205"   | 1    |
| 27.  | 093169 | BUSHING, ON/OFF BRACKET        | 1    |
| 26.  | 091689 | WASHER, BELLEVILLE (M5)        | 3    |

| ITEM | PART # | DESCRIPTION               | QTY. |
|------|--------|---------------------------|------|
| 25.  | 091680 | E-RING, 8mm               | 1    |
| 24.  | 090756 | T-WRENCH, 2.5mm           | 1    |
| 23.  | 092779 | KOMPAC LONG NECK SYRINGE  | 1    |
| 22.  | 092370 | KOMPAC SEAL SET           | 1    |
| 21.  | 092756 | 1/2" VINYL TUBING         | 1    |
| 20.  | 090968 | ASSY, BASE (HAMADA)       | 1    |
| 19.  | 092740 | BOTTLE VALVE ASSEMBLY     | 1    |
| 18.  | 091672 | SPRING CLIP               | 1    |
| 17.  | 092749 | UNIVERSAL BOTTLE BRACKET  | 1    |
| 16.  | 093166 | BRACKET, BOTTLE           | 1    |
| 15.  | 093151 | BUSHING, ON/OFF EXTENSION | 1    |
| 14.  | 093158 | ECCENTRIC, ON/OFF         | 2    |
| 13.  | 093155 | BUSHING, UNIT             | 2    |
| 12.  | 093157 | BUSHING, ON/OFF, R.H.     | 1    |
| 11.  | 093156 | BUSHING, ON/OFF, L.H.     | 1    |
| 10.  | 093161 | STUB SHAFT, R.H.          | 1    |
| 9.   | 093159 | STUB SHAFT, L.H.          | 1    |
| 8.   | 093185 | ASSY, SPRING STUD         | 1    |
| 7.   | 093162 | BRACKET, HEAD STOP        | 1    |
| 6.   | 093148 | ARM, ON/OFF               | 1    |
| 5.   | 093149 | EXTENSION, ON/OFF         | 1    |
| 4.   | 093152 | BRACKET, ON/OFF           | 2    |
| 3.   | 093154 | BRACKET, UNIT, R.H.       | 1    |
| 2.   | 093153 | BRACKET, UNIT, L.H.       | 1    |
| 1.   | 093147 | SHAFT, ON/OFF             | 1    |

