

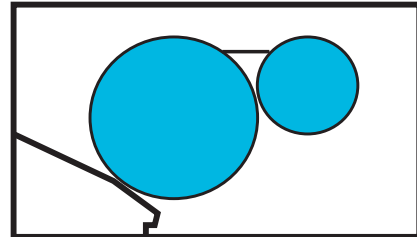
Date of Installation : _____

Unit Serial Number : _____

Kompac Dealer : _____

PRINTERS PARTS
800-543-1117 201-935-9595
fax 800-392-4072 201-935-5333
www.ppsnj.com

VARN
Kompac[®]



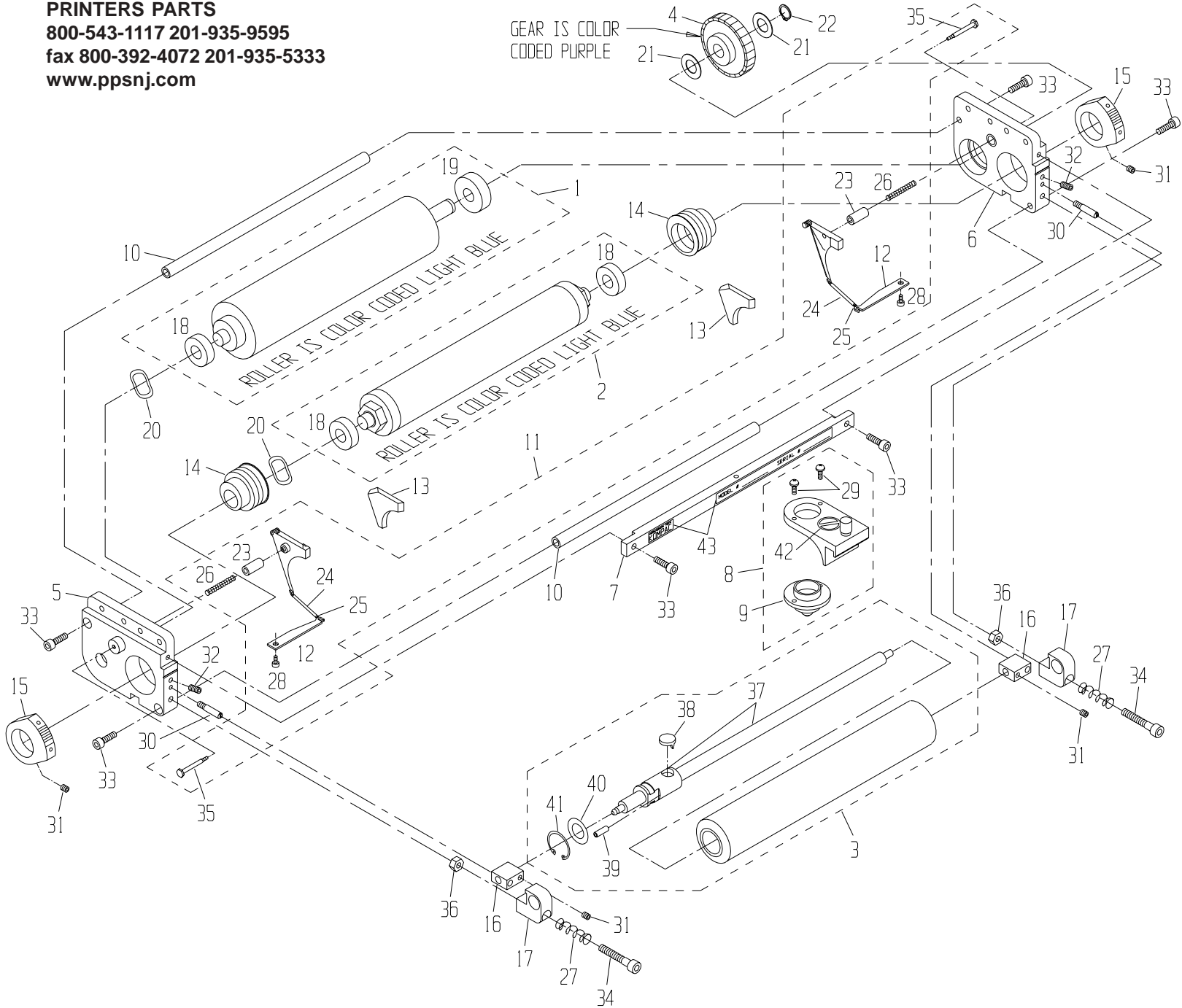
MODEL : HMD-600-2-N
PARTS CATALOG # 93262 REV.C

PRINTERS PARTS

800-543-1117 201-935-9595

fax 800-392-4072 201-935-5333

www.ppsnj.com



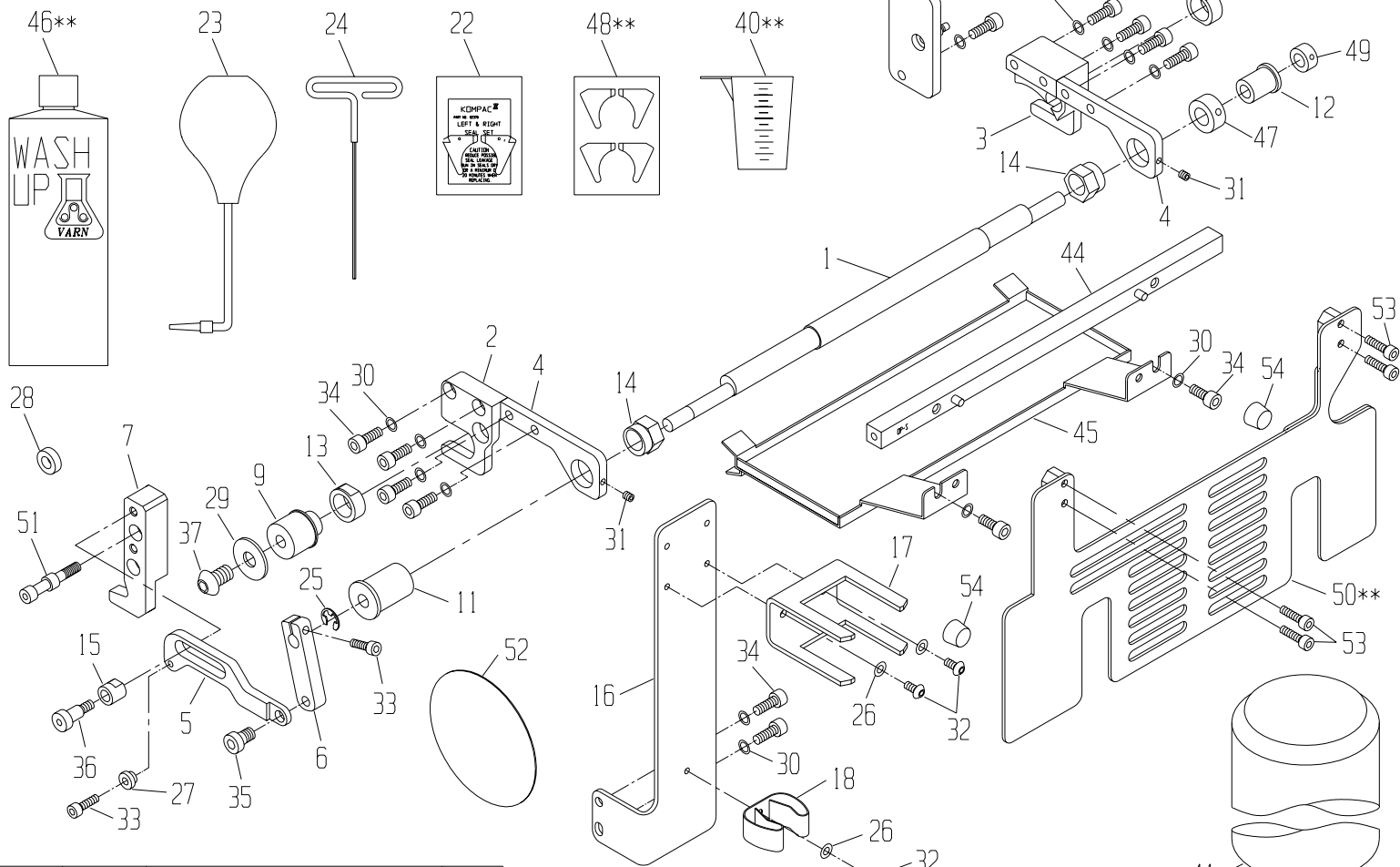
* PART IS INCLUDED WITH OUTLINED SUBASSEMBLY

43.	095854	STICKER, I.D.	1	30.	093174	OSCILLATOR POST, LONG	2	15.	092612	METERING GAUGE	2
42.	092601	WARNING STICKER (INWARD NIP)	1	29.	091907	#6-32x3/8" PHILLIPS HEAD SCREW	*	14.	092291	ECCENTRIC	2
41.	091997	OSC. RETAINING CLIP	*	28.	091901	M3x6mm SOCKET HEAD SCREW	*	13.	092370	KOMPAC SEAL SET	1
40.	091965	OSC. RETAINING WASHER	*	27.	092007	SPRING, COMPRESSION	2	12.	090971	TAB, SHORT	*
39.	091949	SPRING PIN (5/32x1/2")	*	26.	092238	COMPRESSION SPRING	*	11.	090970	BACKING PLATE KIT (HAMADA)	1
38.	091111	OSC. DRIVE SHAFT FOLLOWER	*	25.	092236	TAB SPRING (EXTENSION)	*	10.	092138	TIE ROD	2
37.	091252	OSC. SHAFT ASSY, L.S.	*	24.	092259	SPRING COVER	*	9.	092604	NOZZLE	*
36.	091753	M6x1 HEX NUT	2	23.	092304	GUIDE PIN	*	8.	098750	ASSY, BRACKET NOZZLE	1
35.	092296	BACK. PLATE SHOULDER SCW, SHORT	*	22.	091662	RETAINING RING (12mm)	1	7.	093265	TIE PLATE	1
34.	091762	M6x35mm SOCKET HEAD SCREW	2	21.	091966	WASHER, FLAT (.478x.878x.02")	2	6.	093182	ASSY, END FRAME, R.H.	1
33.	091891	M5x16mm SOCKET HEAD SCREW	6	20.	092491	WAVE WASHER	2	5.	093181	ASSY, END FRAME, L.H.	1
32.	091897	M5x10mm SET SCREW	2	19.	092586	BEARING (12x32x10mm)	*	4.	090969	GEAR CLUTCH ASSY	1
31.	091888	M5x5mm SET SCREW	4	18.	092401	BEARING (10x26x8mm)	*	3.	091303	11-1/2" OSC. ROLLER PARTS ASSY	1
				17.	094342	SPRING HOUSING	2	2.	092145	METER. ROLLER W/B/HMD 11-5/8"	1
				16.	093165	BLOCK, OSCILLATOR	2	1.	092144	FORM ROLLER W/B (HMD 11-5/8")	1
ITEM	PART #	DESCRIPTION	QTY.	ITEM	PART #	DESCRIPTION	QTY.	ITEM	PART #	DESCRIPTION	QTY.

HMD-600-2-N BRACKET KIT: P/N 093264

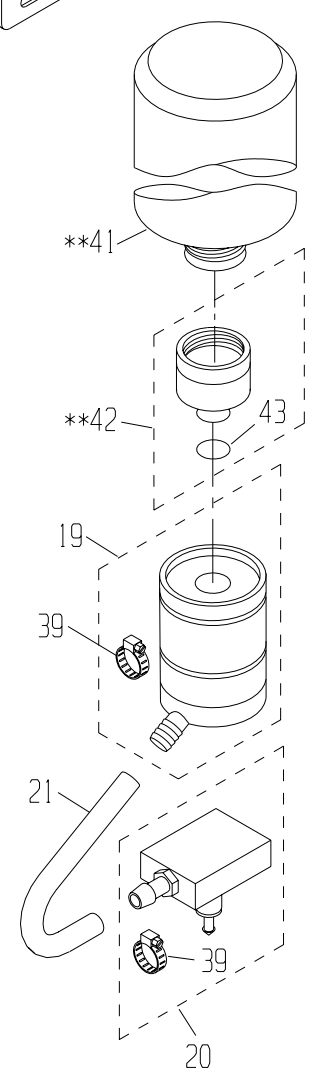
* PART IS INCLUDED WITH OUTLINED SUBASSEMBLY
 ** ITEMS 40, 41, 42, 46, 48 AND 50 ARE NOT INCLUDED WITH BRACKET KIT, P/N 093264

PARTS CATALOG P/N 093262 REV. C



54.	093273	BUMBER, SAFETY GUARD	2
53.	091696	M5x20mm SOCKET HEAD SCREW	4
52.	093923	3-5/8" DIA. STICKER	1
51.	093271	STANDOFF, SIDE COVER	1
50.	093269	SAFETY GUARD	**
49.	093176	COLLAR, SET SCREW, .359 I.D.	1
48.	094990	KOMPAC CLEANING SEALS (4)	**
47.	093175	COLLAR, SET SCREW, .562 I.D.	1
46.	092785	WASH-UP BOTTLE	**
45.	093268	DRIP PAN	1
44.	093267	TIE BAR, PRESS	1
43.	092765	DISPENSING VALVE O-RING	*
42.	092760	DISPENSING VALVE ASSEMBLY	**
41.	092771	ROUND CALIBRATED BOTTLE	**
40.	092783	MEASURING CUP	**
39.	091911	CLAMP, ADJUSTABLE 1/4"-25/32"	*
38.	091629	M10x30mm SOCKET HEAD SCREW	1
37.	091767	M10x16mm BUTTON HEAD CAP SCREW	1
36.	091712	M8x12mm SHOULDER SCREW	1
35.	091721	M8x12mm LOW HEAD CAP SCREW	1
34.	092024	M6x16mm SOCKET HEAD SCREW	14
33.	091891	M5x16mm SOCKET HEAD SCREW	2
32.	091768	M5x10mm BUTTON HEAD SCREW	3
31.	091888	M5x5mm SET SCREW	2
30.	091637	WASHER, BELLEVILLE, .264x.374"	14
29.	091636	WASHER, M10-WIDE	2
28.	092022	SPACER, .321 x.625"x.205"	1
27.	093169	BUSHING, ON/OFF BRACKET	1
ITEM	PART #	DESCRIPTION	QTY.

26.	091689	WASHER, BELLEVILLE (M5)	3
25.	091680	E-RING, 8mm	1
24.	090756	T-WRENCH, 2.5mm	1
23.	092779	KOMPAC LONG NECK SYRINGE	1
22.	092370	KOMPAC SEAL SET	1
21.	092756	1/2" VINYL TUBING	1
20.	090968	ASSY, BASE (HAMADA)	1
19.	092740	BOTTLE VALVE ASSEMBLY	1
18.	091672	SPRING CLIP	1
17.	092749	UNIVERSAL BOTTLE BRACKET	1
16.	093166	BRACKET, BOTTLE	1
15.	093151	BUSHING, ON/OFF EXTENSION	1
14.	093158	ECCENTRIC, ON/OFF	2
13.	093155	BUSHING, UNIT	2
12.	093157	BUSHING, ON/OFF, R.H.	1
11.	093156	BUSHING, ON/OFF, L.H.	1
10.	093161	STUB SHAFT, R.H.	1
9.	093159	STUB SHAFT, L.H.	1
8.	093185	ASSY, SPRING STUD	1
7.	093162	BRACKET, HEAD STOP	1
6.	093148	ARM, ON/OFF	1
5.	093149	EXTENSION, ON/OFF	1
4.	093152	BRACKET, ON/OFF	2
3.	093154	BRACKET, UNIT, R.H.	1
2.	093153	BRACKET, UNIT, L.H.	1
1.	093276	ON/OFF SHAFT, .063	1
ITEM	PART #	DESCRIPTION	QTY.



PRINTERS PARTS
 800-543-1117 201-935-9595
 fax 800-392-4072 201-935-5333
 www.ppsnj.com