

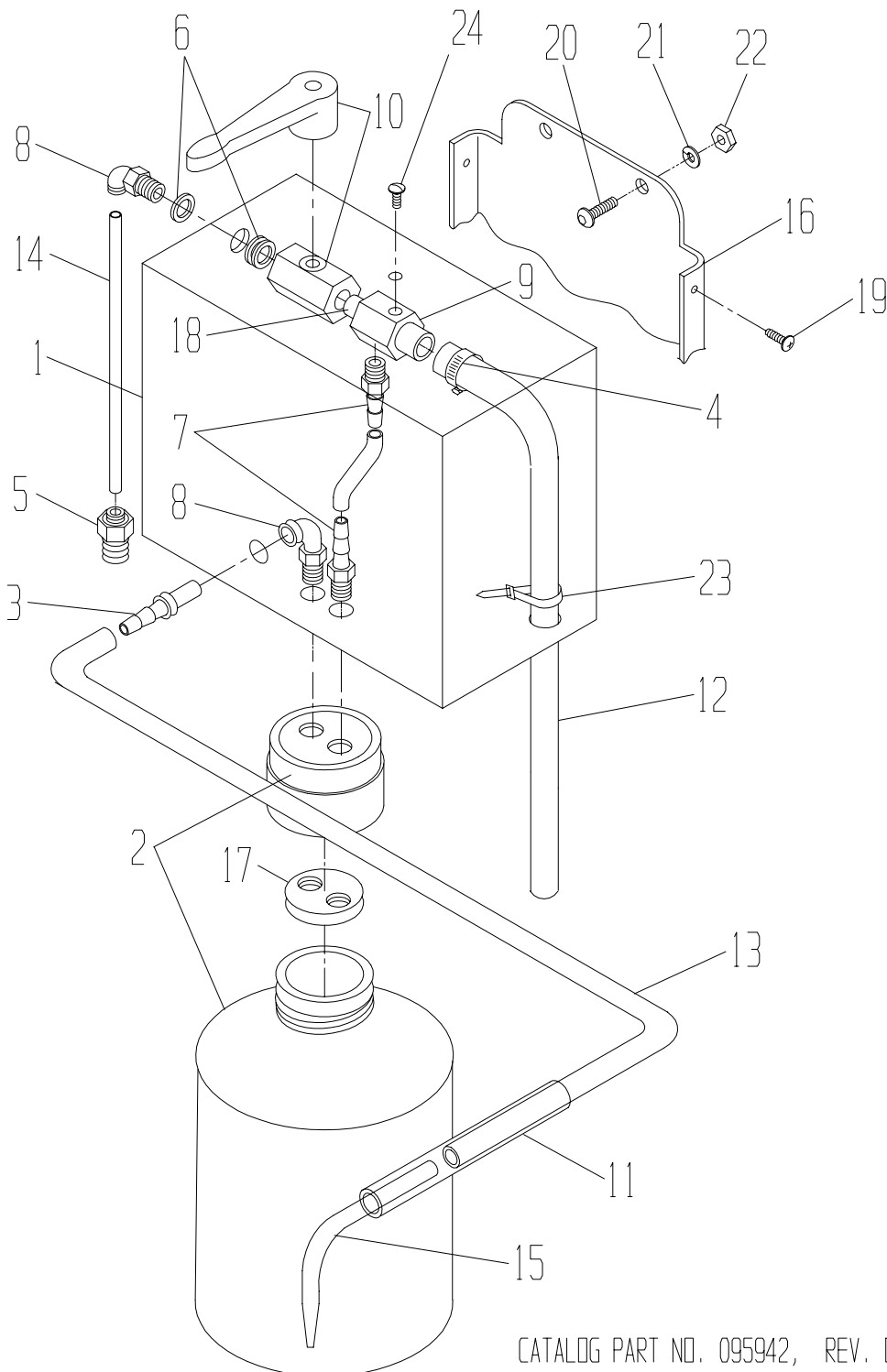
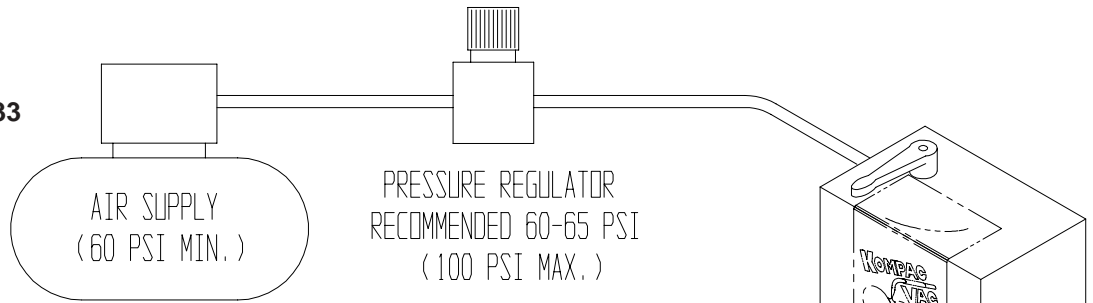
PARTS CATALOG, MODEL KV-100

PRINTERS PARTS

800-543-1117 201-935-9595

fax 800-392-4072 201-935-5333

www.ppsnj.com



ITEM	PART NO.	DESCRIPTION
1	095951	ENCLOSURE
2	095952	BOTTLE & CAP
3	095957	BARB, STRAIGHT, PLASTIC
4	091911	HOSE CLAMP
5	095956	CONNECTOR 1/4 TO 1/4
6	091956	WASHER, FLAT
7	095994	BARB, STRAIGHT, BRASS
8	095958	CONNECTOR ELBOW
9	095938	BODY, VACUUM
10	095949	BALL VALVE
11	095941	SHRINK TUBING
12	092756	VINYL HOSE 1/2
13	095943	VINYL HOSE 1/4
14	095944	TUBING 1/4
15	095945	NOZZLE
16	095946	WALL PLATE
17	095947	CAP SUPPORT
18	095939	TIP, VACUUM
19	091806	SCREW, #6 PHILLIPS HEAD
20	091820	#10-24 BUT. HD. x .75 LG.
21	091740	#10 WASHER, SPLIT
22	091933	#10-24 NUT, HEX
23	092053	CABLE TIE
24	091824	SCREW #6-32 TRUSS HD.
25	091009	LABEL, STICK

CATALOG PART NO. 095942, REV. D