

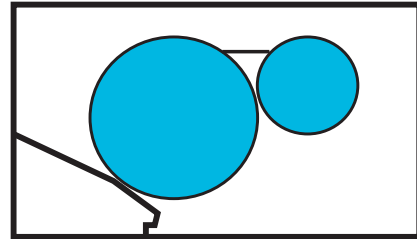
Date of Installation : \_\_\_\_\_

Unit Serial Number : \_\_\_\_\_

Kompac Dealer : \_\_\_\_\_

**PRINTERS PARTS**  
800-543-1117 201-935-9595  
fax 800-392-4072 201-935-5333  
[www.ppsnj.com](http://www.ppsnj.com)

# ***VARN*** **Kompac<sup>®</sup>**



**MODEL : M-1819-1**  
PARTS CATALOG # 97294 REV.D

# M 1819-1 PARTS CATALOG

## P/N 097294

### PRINTERS PARTS

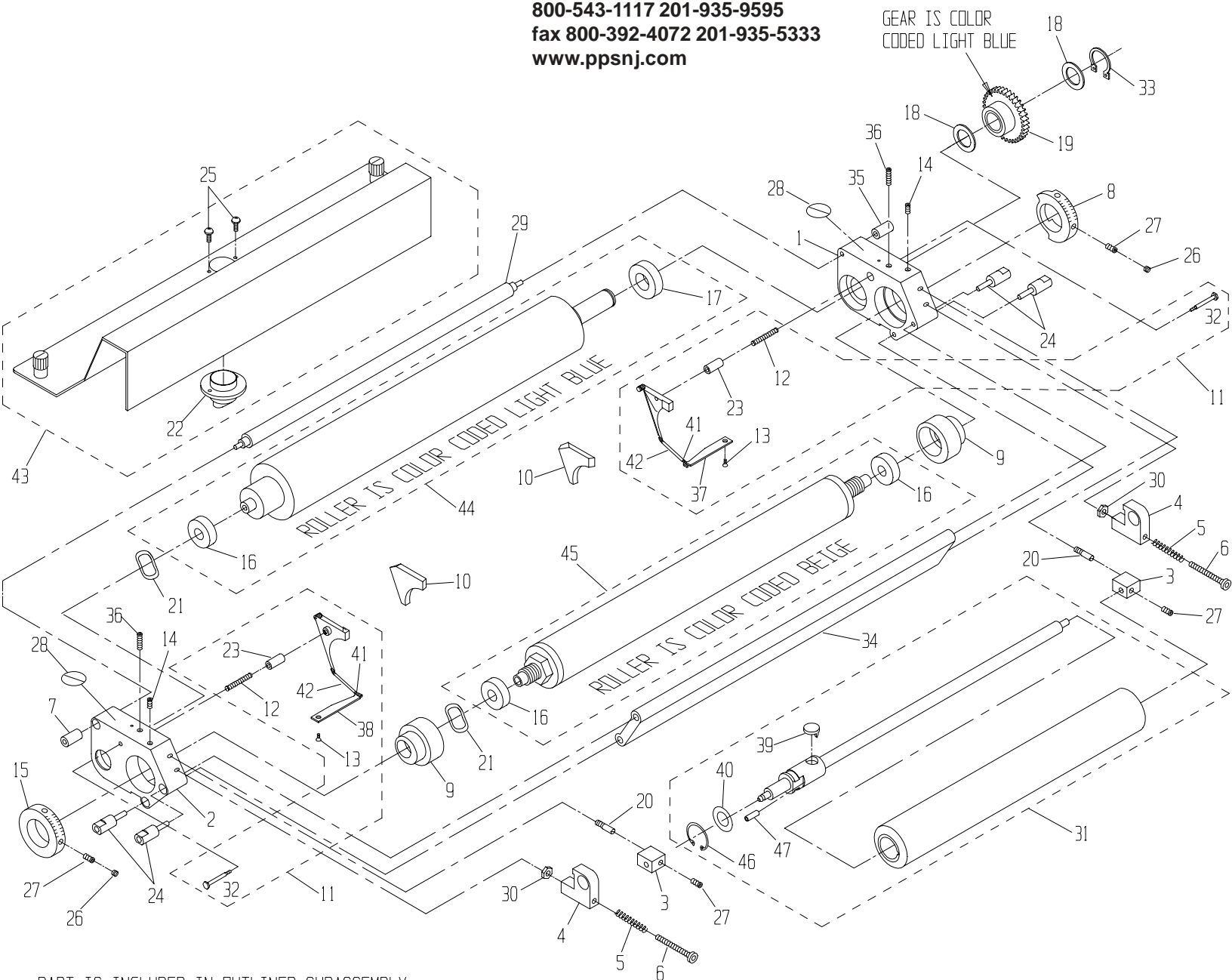
800-543-1117 201-935-9595

fax 800-392-4072 201-935-5333

[www.ppsnj.com](http://www.ppsnj.com)

| REV | DESCRIPTION                                  | ECN  | BY   | DATE     |
|-----|--|------|------|----------|
| -   | PRODUCTION RELEASE                           | -    | B.W. | 9-25-95  |
| A   | REVISED TITLE FROM M461 TO M1819-1           | 1225 | CV   | 10-25-96 |
| B   | UNIT ITEM #5 (P/N 092007) WAS 094347.        | 1385 | MJC  | 3-31-98  |
| C   | UNIT ITEMS 31 & 45 WERE PN/S 091309 & 094330 | 1426 | P.M. | 7-27-98  |
| D   | BRACKET KIT ITEM 24, 99627 WAS 94424.        | 1726 | CRC  | 09-05-01 |

**PRINTERS PARTS**  
**800-543-1117 201-935-9595**  
**fax 800-392-4072 201-935-5333**  
**www.ppsnj.com**



\* PART IS INCLUDED IN OUTLINED SUBASSEMBLY

| ITEM# | PART # | DESCRIPTION                 | QTY | ITEM# | PART # | DESCRIPTION                 | QTY | ITEM# | PART # | DESCRIPTION               | QTY |
|-------|--------|-----------------------------|-----|-------|--------|-----------------------------|-----|-------|--------|---------------------------|-----|
| 1     | 094376 | R.H. END FRAME              | 1   | 19    | 091990 | GEAR CLUTCH ASSY            | 1   | 37    | 090701 | TAB (GEAR SIDE)           | *   |
| 2     | 094302 | L.H. END FRAME              | 1   | 20    | 094343 | OSCILLATOR POST             | 2   | 38    | 092234 | TAB (OP-SIDE)             | *   |
| 3     | 094326 | ALIGNMENT BLOCK             | 2   | 21    | 092491 | WAVE WASHER                 | 2   | 39    | 091111 | OSC. DRIVE SHAFT FOLLOWER | *   |
| 4     | 094342 | SPRING HOUSING              | 2   | 22    | 092604 | NOZZLE                      | *   | 40    | 091965 | OSC. RETAINING WASHER     | *   |
| 5     | 092007 | COMPRESSION SPRING          | 2   | 23    | 092304 | GUIDE PIN                   | *   | 41    | 092236 | TAB SPRING                | *   |
| 6     | 091877 | 1/4-28x1-1/2 SOC HD CAP SCW | 2   | 24    | 095175 | TIE PLATE STANDOFF (1-9/16) | 4   | 42    | 092259 | SPRING COVER              | *   |
| 7     | 095173 | STAND-OFF (1- 1/16" LONG)   | 1   | 25    | 091806 | 6-32 x 3/8 PHIL PAN HD SCW  | *   | 43    | 095930 | COVER ASSY                | 1   |
| 8     | 092225 | METERING GAUGE              | 1   | 26    | 091810 | 10-24 x 1/8 SLOT SET SCREW  | 2   | 44    | 092040 | FORM ROLLER ASSY          | 1   |
| 9     | 092291 | ECCENTRIC                   | 2   | 27    | 091811 | 10-24 x 1/4 SET SCREW       | 4   | 45    | 094381 | METERING ROLLER ASSY      | 1   |
| 10    | 092370 | KOMPAC SEAL SET (L. & R.H.) | 1   | 28    | 092601 | INWARD NIP SYMBOL           | 2   | 46    | 091997 | OSC. RETAINING CLIP       | *   |
| 11    | 090700 | SEAL BACKING PLATE KIT      | 1   | 29    | 094346 | 18-3/8" TIE BAR             | 1   | 47    | 091949 | SPRING PIN                | *   |
| 12    | 092238 | COMPRESSION SPRING          | *   | 30    | 091970 | 1/4-28 NUT                  | 2   |       |        |                           |     |
| 13    | 091802 | 3-48 x 1/4 FLAT HD SCREW    | *   | 31    | 091313 | 18-3/8" OSC. ROLLER ASSY    | 1   |       |        |                           |     |
| 14    | 091813 | 10-24 X 1/2 SET SCREW       | 2   | 32    | 092303 | SHOULDER SCREW              | *   |       |        |                           |     |
| 15    | 092222 | METERING GAUGE              | 1   | 33    | 091662 | 12mm RETAINING RING         | 1   |       |        |                           |     |
| 16    | 092401 | BEARING                     | *   | 34    | 094483 | TIE PLATE, M 1819-1         | 1   |       |        |                           |     |
| 17    | 092586 | BEARING                     | *   | 35    | 095174 | STAND-OFF (1-1/2" LONG)     | 1   |       |        |                           |     |
| 18    | 091966 | STEEL WASHER                | 2   | 36    | 091798 | 10-24 x 1 SET SCREW         | 2   |       |        |                           |     |

# M 1819-1 BRACKET KIT: P/N 97300 \*\*

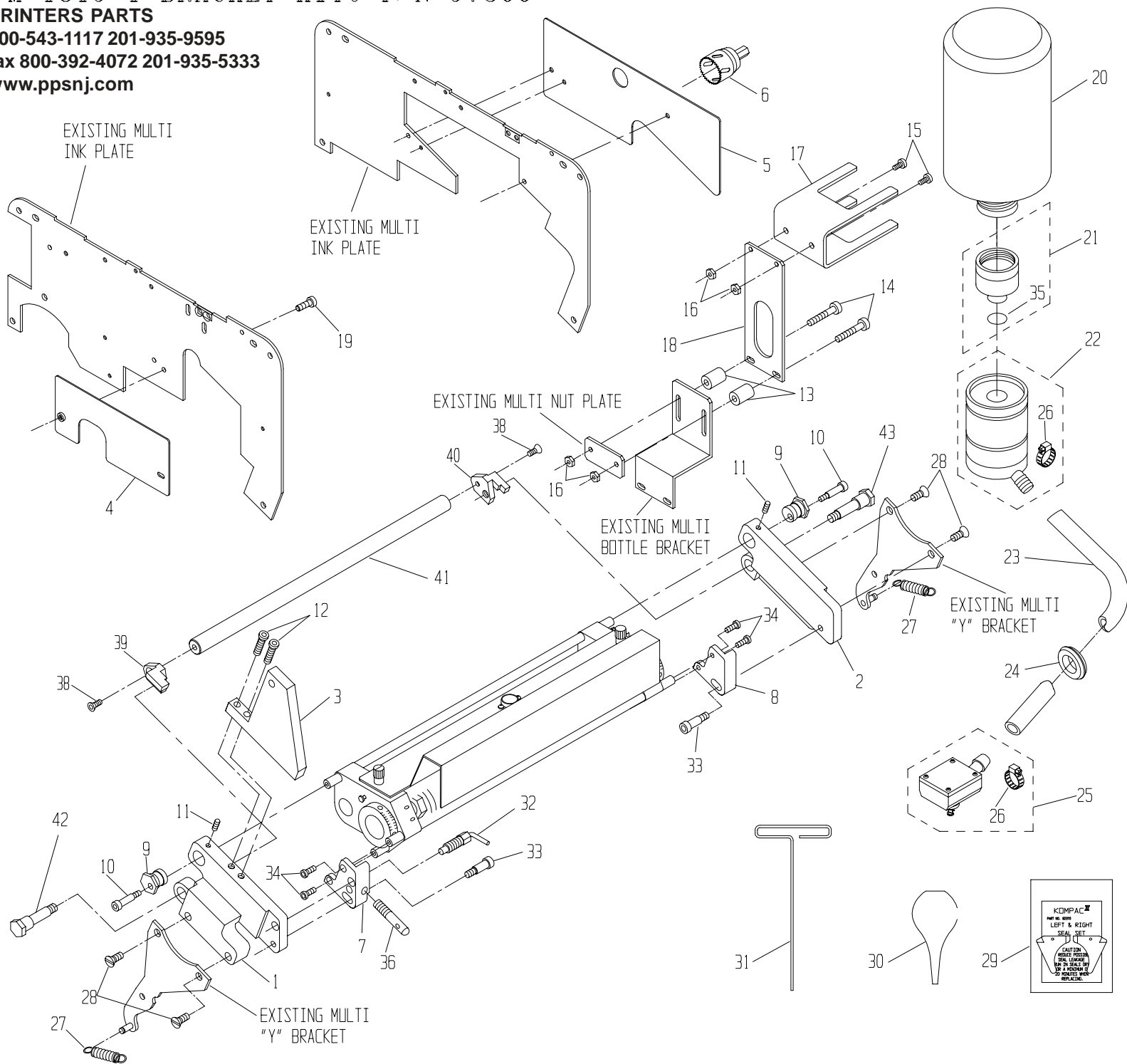
PARTS CATALOG 097294 REV D

## PRINTERS PARTS

800-543-1117 201-935-9595

fax 800-392-4072 201-935-5333

www.ppsnj.com



\* PART IS INCLUDED IN OUTLINED SUBASSEMBLY

\*\* ITEMS 15,16,18,20,21,22,23 & 25 ARE NOT INCLUDED IN THE BRACKET KIT

| ITEM# | PART # | DESCRIPTION               | QTY |
|-------|--------|---------------------------|-----|
| 1     | 095161 | L.H. MOUNTING BRACKET     | 1   |
| 2     | 095162 | R.H. MOUNTING BRACKET     | 1   |
| 3     | 095165 | LOCKOUT BRACKET           | 1   |
| 4     | 095185 | L.H. SAFETY PLATE         | 1   |
| 5     | 095186 | R.H. SAFETY PLATE         | 1   |
| 6     | 092644 | 1 1/4" HOLE SAW           | 1   |
| 7     | 095163 | L.H. MOUNTING BLOCK       | 1   |
| 8     | 095164 | R.H. MOUNTING BLOCK       | 1   |
| 9     | 095172 | BRACKET ECCENTRIC         | 2   |
| 10    | 091715 | 5/16 x 3/4 SHOULDER SCREW | 2   |
| 11    | 091839 | 10-32 x 1/4 SET SCREW     | 2   |
| 12    | 091866 | 1/4-20 x 1 LOW HD CAP SCW | 2   |
| 13    | 093654 | SPACER                    | 2   |
| 14    | 091853 | 10-32 x 1 1/8 CAP SCREW   | 2   |

| ITEM# | PART # | DESCRIPTION                 | QTY |
|-------|--------|-----------------------------|-----|
| 15    | 091840 | 10-32 x 3/8 PHILLIPS HD SCW | 2   |
| 16    | 091969 | 10-32 LOCK NUT              | 4   |
| 17    | 092749 | UNIVERSAL BOTTLE BRACKET    | 1   |
| 18    | 092748 | UNIVERSAL BRACKET           | 1   |
| 19    | 091842 | 10-32 x 5/8 CAP SCREW       | 1   |
| 20    | 092771 | ROUND CALIBRATED BOTTLE     | 1   |
| 21    | 092760 | DISPENSING VALVE ASSY       | 1   |
| 22    | 092740 | BOTTLE VALVE ASSY           | 1   |
| 23    | 092756 | 1/2" VINYL TUBING           | 1   |
| 24    | 099627 | 1 1/4" RUBBER GROMMET       | 1   |
| 25    | 092750 | ADAPTOR BASE ASSY           | 1   |
| 26    | 091911 | ADJUSTABLE HOSE CLAMP       | *   |
| 27    | 093669 | SPRING                      | 2   |
| 28    | 091885 | 1/4-20 x 5/8 FLAT HD SCREW  | 4   |

| ITEM# | PART # | DESCRIPTION                | QTY |
|-------|--------|----------------------------|-----|
| 29    | 092370 | KOMPAC SEAL SET            | 1   |
| 30    | 092778 | KOMPAC SYRINGE             | 1   |
| 31    | 090755 | 3/32 T-WRENCH              | 1   |
| 32    | 095178 | RETRACTABLE SPRING PLUNGER | 1   |
| 33    | 091913 | 5/16 x 5/8 SHOULDER SCREW  | 2   |
| 34    | 091915 | 10-24 x 1/2 LOW HD CAP SCW | 4   |
| 35    | 092765 | VALVE BODY O-RING          | *   |
| 36    | 095176 | LIFT HANDLE                | 1   |
| 38    | 091826 | 10-24 x 1/2 FLAT HD SCREW  | 2   |
| 39    | 095166 | L.H. TIE BAR BRACKET       | 1   |
| 40    | 095167 | R.H. TIE BAR BRACKET       | 1   |
| 41    | 094355 | TIE BAR                    | 1   |
| 42    | 095169 | L.H. SHOULDER BOLT         | 1   |
| 43    | 095171 | R.H. SHOULDER BOLT         | 1   |