

51	091773	SCREW, M6 X 12	4
50	091424	RETAINER OSC RH	1
49	091423	RETAINER, OSC, LH	1
48	092259	SPRING COVER	2
47	092236	TAB SPRING	2
45	092601	SAFETY STICKER (INWARD NIP)	3
44	098026	LABELS, TIE PLATE	1
43	092055	BALL KNOB (10-32)	4
42	091417	THREADED STUD, SHRT (M5/10-32)	4
41	091889	M5 x .8 x 10mm SET SCREW	3
40	091888	M5 x .8 x 5mm SET SCREW	6
39	091909	M5 x 4mm SLOTTED SET SCREW	2
38	091786	SCREW, M6 x 25mm, CAP	2
37	091761	M6 x 1 x 18mm CAP SCREW	8
36	091785	SCREW, M6 x 14mm, CAP	4
35	091891	M5 x 16mm CAP SCREW	8
34	091760	M4 x 0.7 x 10mm CAP SCREW	*
ITEM#	PART#	DESCRIPTION	QTY

32	091708	M6 SHOULDER SCREW (30mm LG)	2
31	092303	SEAL PLATE SHOULDER SCREW	*
30	091981	M4 FLAT WASHER	2
29	091784	WASHER, 1.353x.988x.078	1
28	091783	WASHER, WAVE, 35mm	2
27	092007	SPRING, COMPRESSION	2
26	092242	COMPRESSION SPRING (BKG PLATE)	*
25	092304	GUIDE PIN	*
24	091406	SPRING PLATE	*
23	091407	BACKING PLATE STANDOFF	2
22	095697	CLAMP, OSCILLATOR	2
21	092174	METRIC ALIGNMENT BLOCK	2
20	098007	ECCENTRIC, BRKT, NOZZLE, UNIT	1
19	098008	ECCENTRIC BRACKET, NOZZLE BKT	2
18	098009	BLOCK, ADJUSTMENT, TIE PLATE	2
16	098025	GAUGE, METERING, 35mm BEARING	2
ITEM#	PART#	DESCRIPTION	QTY

15	098024	ECCENTRIC, M/R, 35mm BEARING	2
14	098005	BRACKET, ATTACHMENT, UNIT, RH	1
13	098006	BRACKET, ATTACHMENT, UNIT, LH	1
12	098004	TIE ROD, UNIT	1
11	098003	TIE PLATE	1
10	092083	BEARING, 15x35x11mm (6202)	*
9	095522	GEAR, KOMPAC, AD-705	1
8	090850	R.H. & L.H. SEAL SET	1
7	091450	SEAL BACKING PLATE KIT (L & R)	1
6	098001	SIDEFAME, UNIT, R.H.	1
5	098002	SIDEFAME, UNIT, L.H.	1
3	098155	OSCILLATOR, KMD-65	1
2	098186	ASSY, METERING ROLLER	1
1	098630	ASSY, FORM ROLLER	1
ITEM#	PART#	DESCRIPTION	QTY

* PART IS INCLUDED WITH OUTLINED SUBASSEMBLY

** ITEMS 2 AND 21 NOT INCLUDED WITH THIS P/N

AD-705 BRACKET KIT PARTS #095555 ***

AD-705 SUBASSEMBLIES #095556 ***

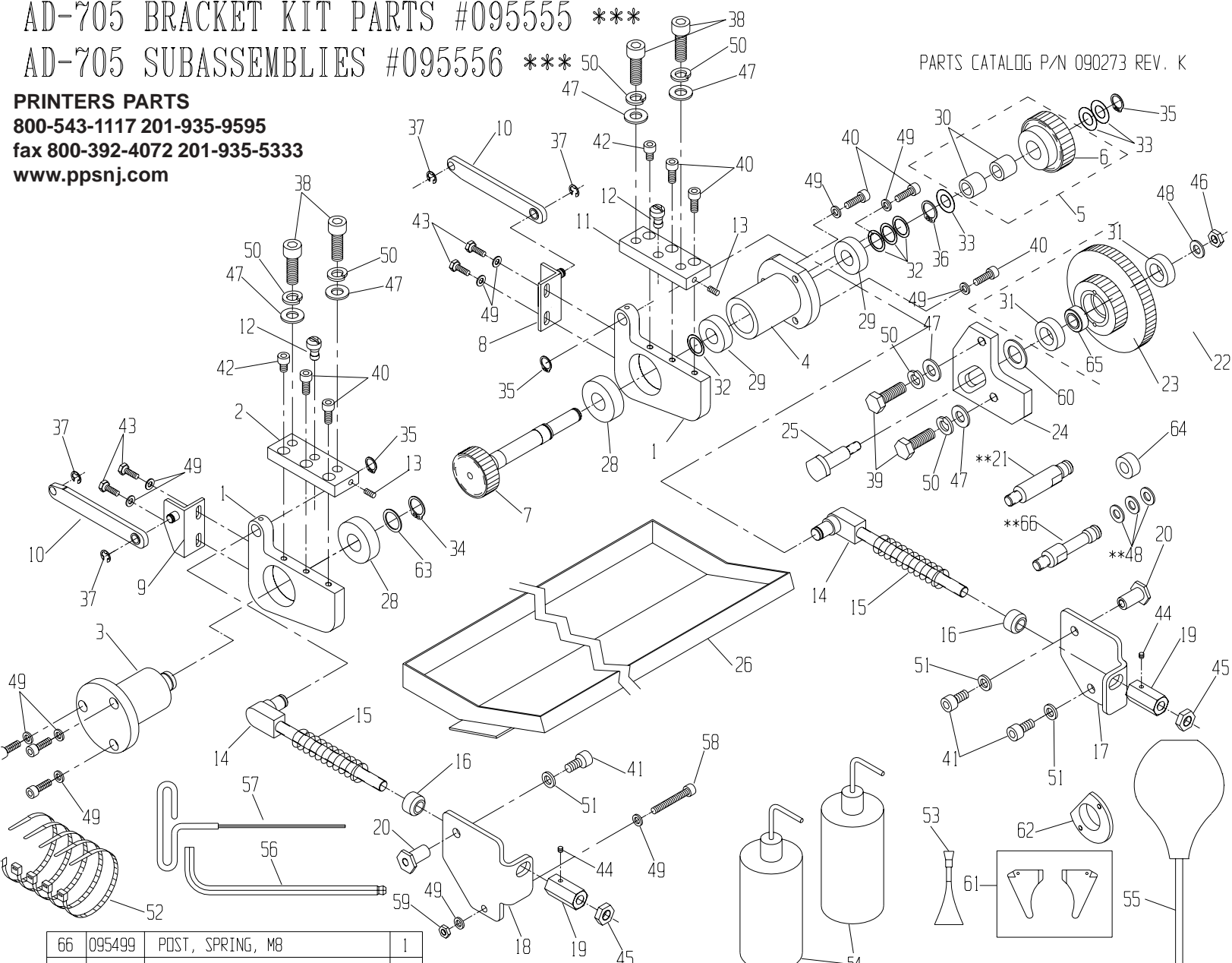
PARTS CATALOG P/N 090273 REV. K

PRINTERS PARTS

800-543-1117 201-935-9595

fax 800-392-4072 201-935-5333

www.ppsnj.com



66	095499	POST, SPRING, M8	1
65	095591	SPACER, GEAR/BEARING	*
64	092064	SPACER, Ø.625 X Ø.398 X .394	1
63	091626	WASHER, Ø.871 X Ø.673 X .02	1
62	095557	PLATE, BEARING	1
61	090850	SEAL SET, KIII	1
60	091977	SPACER, .48 X .79 X .06	1
59	091973	M6 X 1 NUT (LOCK)	1
58	091592	SCREW, M6 X 40mm SDC HD CAP	1
57	090756	2.5mm T-WRENCH	1
56	090758	8mm BALL END ALLEN WRENCH	1
55	092779	ASSY, SYRINGE, LONG NECK	***
54	092774	LONG NECK WASH UP BOTTLE	***
53	092061	LOCTITE, 5ML	1
52	092053	NYLON CABLE TIE	5
51	091638	WASHER, BELLEVILLE, .331 X .512	3
50	091741	M10 SPLIT LOCK WASHER	6
49	091637	WASHER, BELLEVILLE, .264 X .374	12
48	091950	FLAT WASHER (M8)	4
47	091976	M10 FLAT WASHER	6
46	091754	M8 NUT, LOCKING	1
45	091606	NUT, THIN, M10 X 1.0	2
44	091546	M4 X 6mm NYLON SET SCREW	2
ITEM	PART#	DESCRIPTION	QTY

43	091605	SCREW, M6 X 12mm HEX HD CAP	4
42	091591	SCREW, M6 X 10mm SDC HD CAP	2
41	091593	M8 X 18mm LOW HD CAP SCREW	3
40	091761	M6 X 18mm CAP SCREW	10
39	091604	M10 X 40 HEX HD CAP SCREW	2
38	091629	SCREW, M10X30mm CAP SCREW	4
37	092032	E-RING, 7mm	4
36	091993	RETAINING RING, 15MM EXTERNAL	1
35	091662	12mm RETAINING RING	3
34	091628	RETAINING RING, 17mm EXTERNAL	1
33	091966	SPACER WASHER, 12mm	3
32	092019	SPACER, .906 X .603 X .020	4
31	095536	BEARING, 12X28X8mm (6001)	*
30	092056	12mm CLUTCH BEARING	*
29	098041	BEARING, 15X32X9mm	2
28	092084	BEARING, 17X40X12mm (6203)	2
26	095559	PAN, DRIP	***
25	095518	BOLT, SHOULDER, GEAR, AD-705	1
24	095519	PLATE, MOUNTING, GEAR	1
23	095529	GEAR, 64/30 TEETH	*
22	095545	ASSY, 64/30T GEAR & BEARING	1
ITEM	PART#	DESCRIPTION	QTY

21	095517	POST, SPRING, AD-705	1
20	095515	SPACER, THREADED, AD-705	2
19	095514	NUT, ADJUSTING, AD-705	2
18	095509	BRACKET, STRIPE ROD, NDP SIDE	1
17	095512	BRACKET, STRIPE ROD, DP SIDE	1
16	095516	RETAINER, SPRING ROD	2
15	095535	SPRING, COMPRESSION	2
14	095513	ROD, SPRING, AD-705	2
13	091889	M5 X 10mm SOCKET SET SCREW	2
12	091511	ADJUSTMENT ECCENTRIC	2
11	095504	BLOCK, MOUNTING, DP SIDE	1
10	095523	LINK, CONNECTING	2
9	095542	ASSY, BRACKET & LINK, NON-DP	1
8	095543	ASSY, BRACKET & LINK, DP	1
7	095531	GEAR & DRIVE SHAFT, AD-705	1
6	095528	GEAR, CLUTCH, AD-705	*
5	095544	ASSY, GEAR CLUTCH & BEARING	1
4	095525	HOUSING, BEARING, AD-705	1
3	095524	PIVOT BUSHING, NON-DP SIDE	1
2	095503	BLOCK, MOUNTING, NON-DP SIDE	1
1	095505	BRACKET, UNIT, AD-705	2
ITEM	PART#	DESCRIPTION	QTY

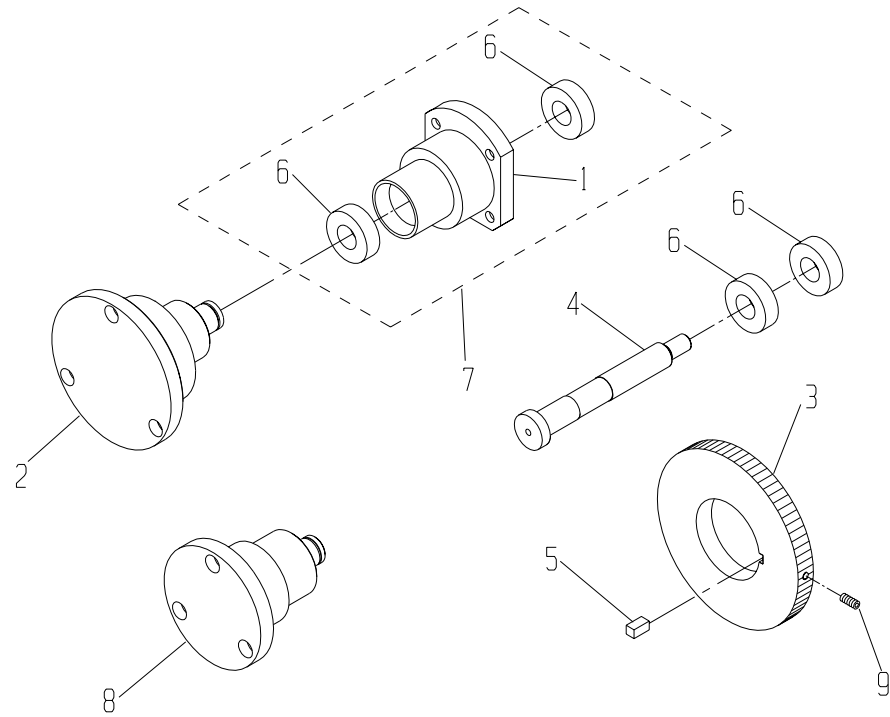
* PART IS INCLUDED WITH OUTLINED SUBASSEMBLY. ** REPLACE EXISTING SPRING POST WITH ITEM 21 AT FIRST HEAD, ITEM 66 ON ALL SUBSEQUENT HEADS

*** ITEMS 26, 54, 55 NOT INCLUDED IN THIS P/N. (3) ITEM 48 WITH EXISTING SPRING POST.

PRINTERS PARTS
800-543-1117 201-935-9595
fax 800-392-4072 201-935-5333
www.ppsnj.com

AD-705 DDBS BRACKET KIT PARTS UPGRADE: P/N 098154

PARTS CATALOG P/N 090273 REV. K



9	091904	M5 X 16mm SET SCREW	1
8	095534	PIVOT BUSHING, INTERMEDIATE	1
7	095547	ASSY, HOUSING & BEARING, (DDBS)	1
6	098041	BEARING, 15X32X9mm (6002)	2*
5	095537	KEY, 6 X 6 X 12mm	1
4	095558	SHAFT, STUB, (DDBS)	1
3	095532	GEAR TRANSFER, (DDBS)	1
2	095527	PIVOT BUSHING, NON DP, (DDBS)	1
1	095526	HOUSING, BEARING, (DDBS)	*
ITEM#	PART#	DESCRIPTION	QTY

AD-705 POLLY-66 SERIES PNEUMATIC CAMS: P/N 095589 (2 REQUIRED)

