

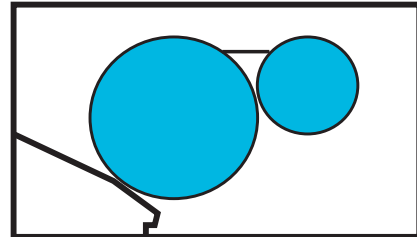
Date of Installation : _____

Unit Serial Number : _____

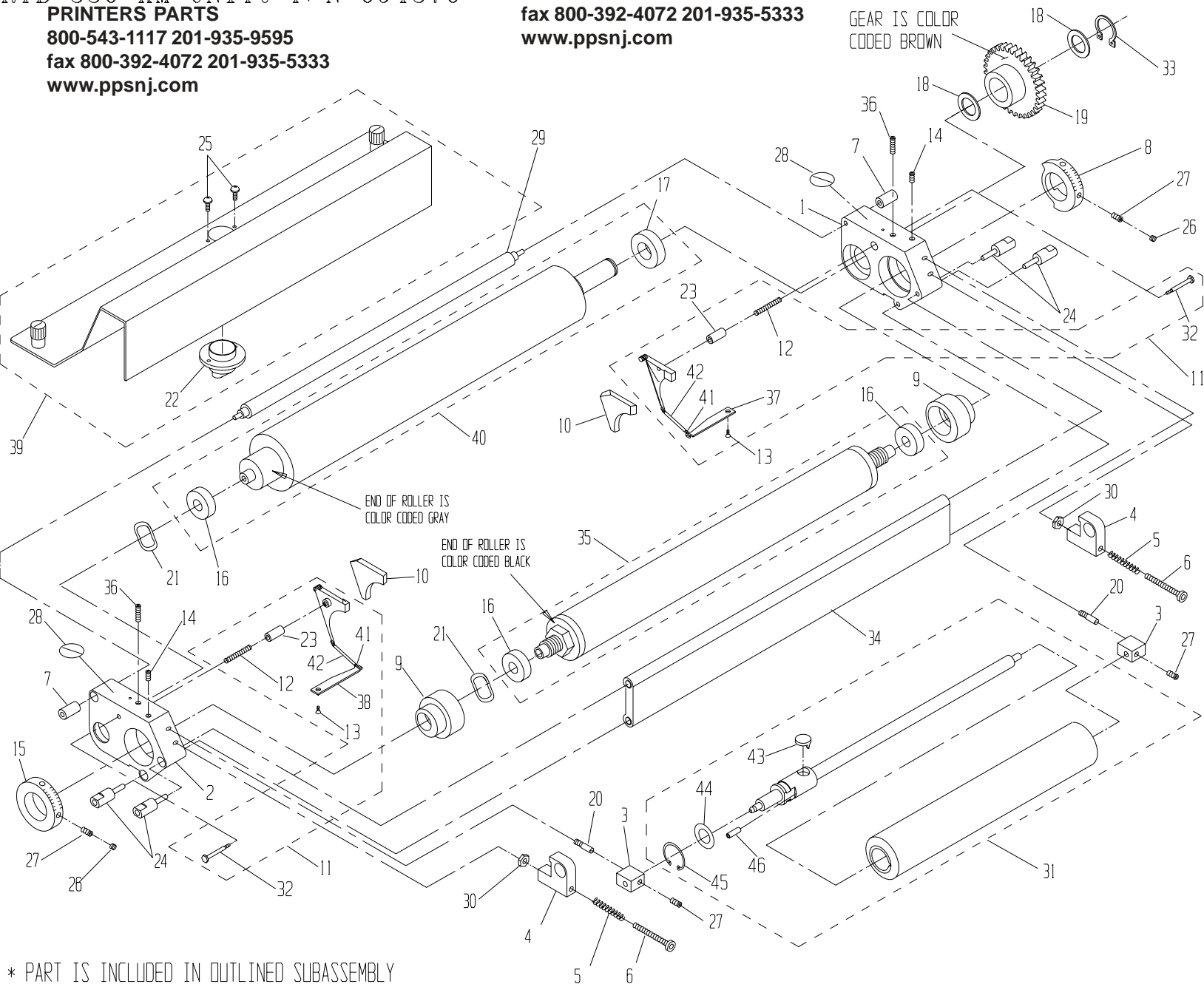
Kompac Dealer : _____

PRINTERS PARTS
800-543-1117 201-935-9595
fax 800-392-4072 201-935-5333
www.ppsnj.com

VARN
Kompac[®]

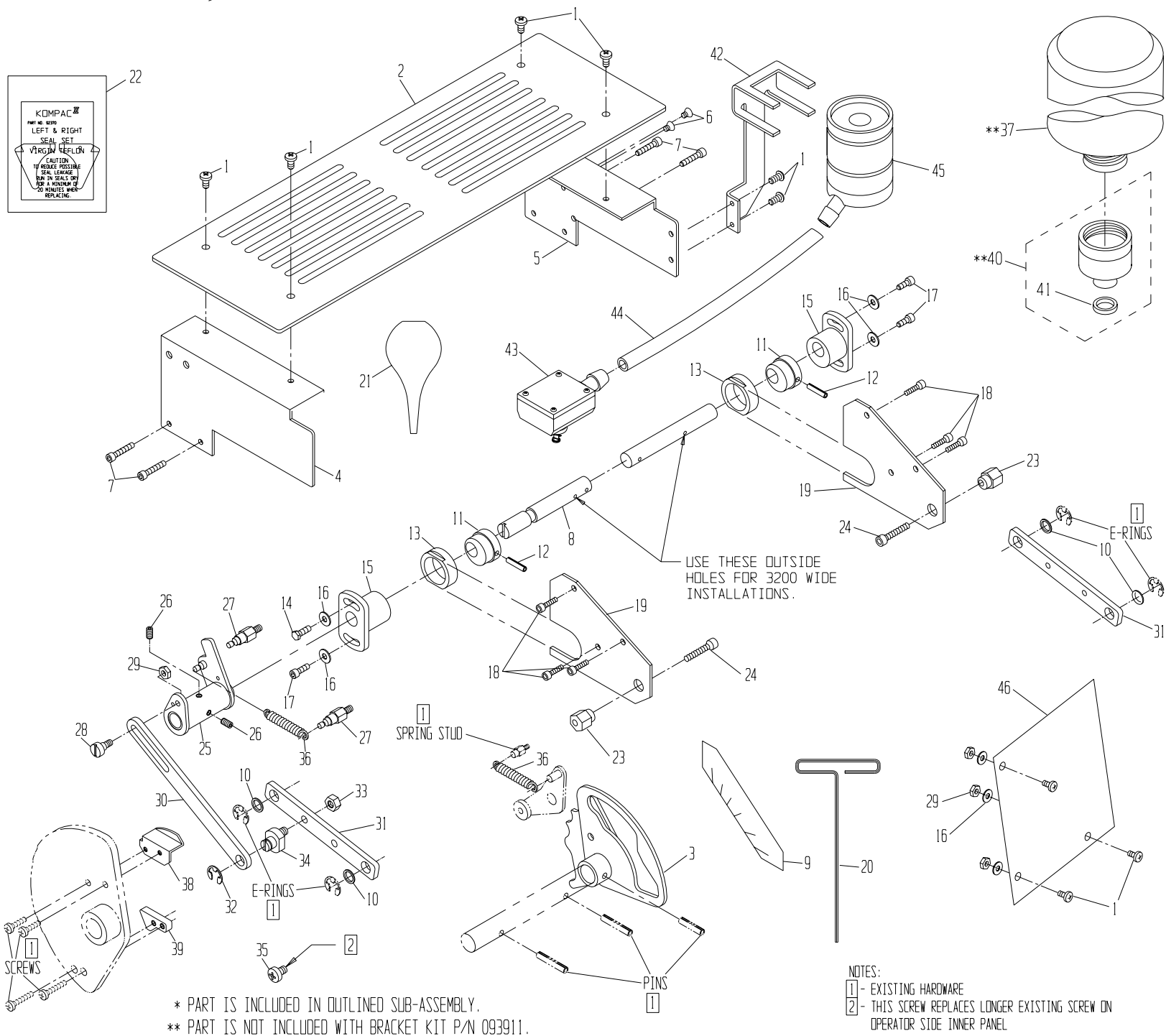


MODEL : RYB-3200-W
PARTS CATALOG # 93912 REV.B



* PART IS INCLUDED IN OUTLINED SUBASSEMBLY

ITEM#	PART #	DESCRIPTION	QTY	ITEM#	PART #	DESCRIPTION	QTY	ITEM#	PART #	DESCRIPTION	QTY
1	094376	R.H. END FRAME	1	18	091966	STEEL WASHER	2	35	094240	METERING ROLLER ASSY	1
2	094302	L.H. END FRAME	1	19	092880	GEAR CLUTCH ASSY	1	36	091798	#10-24 x 1" SET SCREW	2
3	094326	ALIGNMENT BLOCK	2	20	094343	OSCILLATOR POST	2	37	090701	TAB (GEAR SIDE)	*
4	094342	SPRING HOUSING	2	21	092491	WAVE WASHER	2	38	092234	TAB (OP-SIDE)	*
5	095698	COMPRESSION SPRING	2	22	092604	NOZZLE	*	39	092030	COVER ASSY	1
6	091877	1/4-28 X 1.1/2" SOC HD SCREW	2	23	092304	GUIDE PIN	*	40	091900	FORM ROLLER ASSY	1
7	094345	STAND OFF	2	24	094482	STAND OFF	4	41	092236	TAB SPRING	*
8	092225	METERING GAUGE	1	25	091806	#6-32 X 3/8 PHILLIPS PAN HD	*	42	092259	SPRING COVER	*
9	092291	ECCENTRIC	2	26	091810	#10-24 X 1/8 SLOT SET SCW	2	43	091111	OSC. DRIVE SHAFT FOLLOWER	*
10	092370	SEAL SET (L.H. & R.H. SEALS)	1	27	091811	#10-24 X 1/4" SET SCREW	4	44	091965	OSC. RETAINING WASHER	*
11	090700	SEAL BACKING PLATE KIT	1	28	092601	INWARD NIP SYMBOL	2	45	091997	OSC. RETAINING CLIP	*
12	092238	COMPRESSION SPRING	*	29	094348	13 1/4" TIE BAR	1	46	091949	SPRING PIN	*
13	091802	#3-48 X 1/4 FLAT HD SCREW	*	30	091970	1/4-28 NUT	2				
14	091813	#10-24 X 1/2 SET SCREW	2	31	091311	13 1/4" OSC. ROL. PARTS ASSY	1				
15	092222	METERING GAUGE	1	32	092303	SHOULDER SCREW	*				
16	092401	BEARING	*	33	091662	12mm RETAINING RING	1				
17	092586	BEARING	*	34	094481	TIE PLATE, RYB-330	1				



46.	093988	GUARD, SAFETY	1
45.	092740	BOTTLE VALVE ASSY	1
44.	092756	1/2" I.D. VINYL TUBING	1
43.	092750	ADAPTER BASE ASSY	1
42.	094999	BRACKET, BOTTLE (AB-990)	1
41.	092765	O-RING	*
40.	092760	DISPENSING VALVE ASSY	**
39.	093956	RYOBI CYLINDER LATCH	1
38.	093957	RYOBI MICRO SWITCH CAM	1
37.	092771	CALIBRATED BOTTLE	**
36.	093669	EXTENSION SPRING	2
35.	091886	M6x10mm PHIL ROUND HEAD SCREW	1
34.	094066	RYOBI LINK BRACKET ECCENTRIC	1
33.	091971	1/4-28 LOCK NUT	1
32.	091995	3/8 E-RING	1
31.	093941	RYOBI FORM LINK	2
ITEM	PART NO	DESCRIPTION	QTY

30.	094057	ACTUATING LINK	1
29.	091969	10-32 LOCK NUT	4
28.	091794	1/4x1/4 SHOULDER SCREW	1
27.	094053	STOP PIN (RYOBI)	2
26.	091852	10-32x3/8 CLIP SET SCREW	2
25.	094060	STOP ASSEMBLY	1
24.	091887	M6x30mm SOC HD. CAP SCREW	2
23.	094387	PIVOT BLOCK	2
22.	092370	TEFLON SEAL SET	1
21.	092778	KOMPAC SYRINGE	1
20.	090755	3/32 HEX T-WRENCH	1
19.	093916	BRACKET, MOUNTING, 3200 WIDE	2
18.	091818	10-24x3/8 CAP SCREW	6
17.	091842	10-32x1/2 CAP SCREW	3
16.	091955	3/16 ID WASHER	7
ITEM	PART NO	DESCRIPTION	QTY

15.	094058	ECCENTRIC BUSHING	2
14.	091832	10-32 x 1/2 HEX HD. SCREW	1
13.	094054	RYOBI BRACKET BUSHING	2
12.	094067	5/32x7/8 ROLL PIN	2
11.	093915	ECCENTRIC COLLAR	2
10.	091956	.400 ID SPACER WASHER	4
9.	093986	OPERATION LABEL	1
8.	094064	2728/3200 OPERATION SHAFT	1
7.	091846	10-32x7/8 CAP SCREW	4
6.	091837	8-32x1/4 FLAT HEAD SCREW	2
5.	093974	R.H. SAFETY COVER BRACKET	1
4.	093975	L.H. SAFETY COVER BRACKET	1
3.	093950	SINGLE LEVER CAM	1
2.	093917	GUARD, PLATE, 3200 W	1
1.	091840	10-32x3/8 BUTTON HEAD SCREW	9
ITEM	PART NO	DESCRIPTION	QTY