

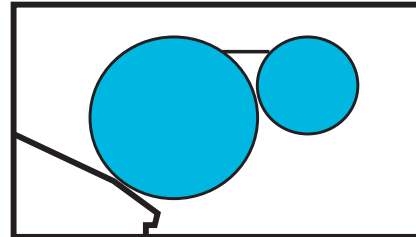
Date of Installation : _____

Unit Serial Number : _____

Kompac Dealer : _____

PRINTERS PARTS
800-543-1117 201-935-9595
fax 800-392-4072 201-935-5333
www.ppsnj.com

***VARN* Kompac®**



MODEL : RYB-332
PARTS CATALOG # 94102 REV.A

ABDICK 9985
RYOBI 3302M

RYB 332 PARTS CATALOG

P/N 094102

PRINTERS PARTS

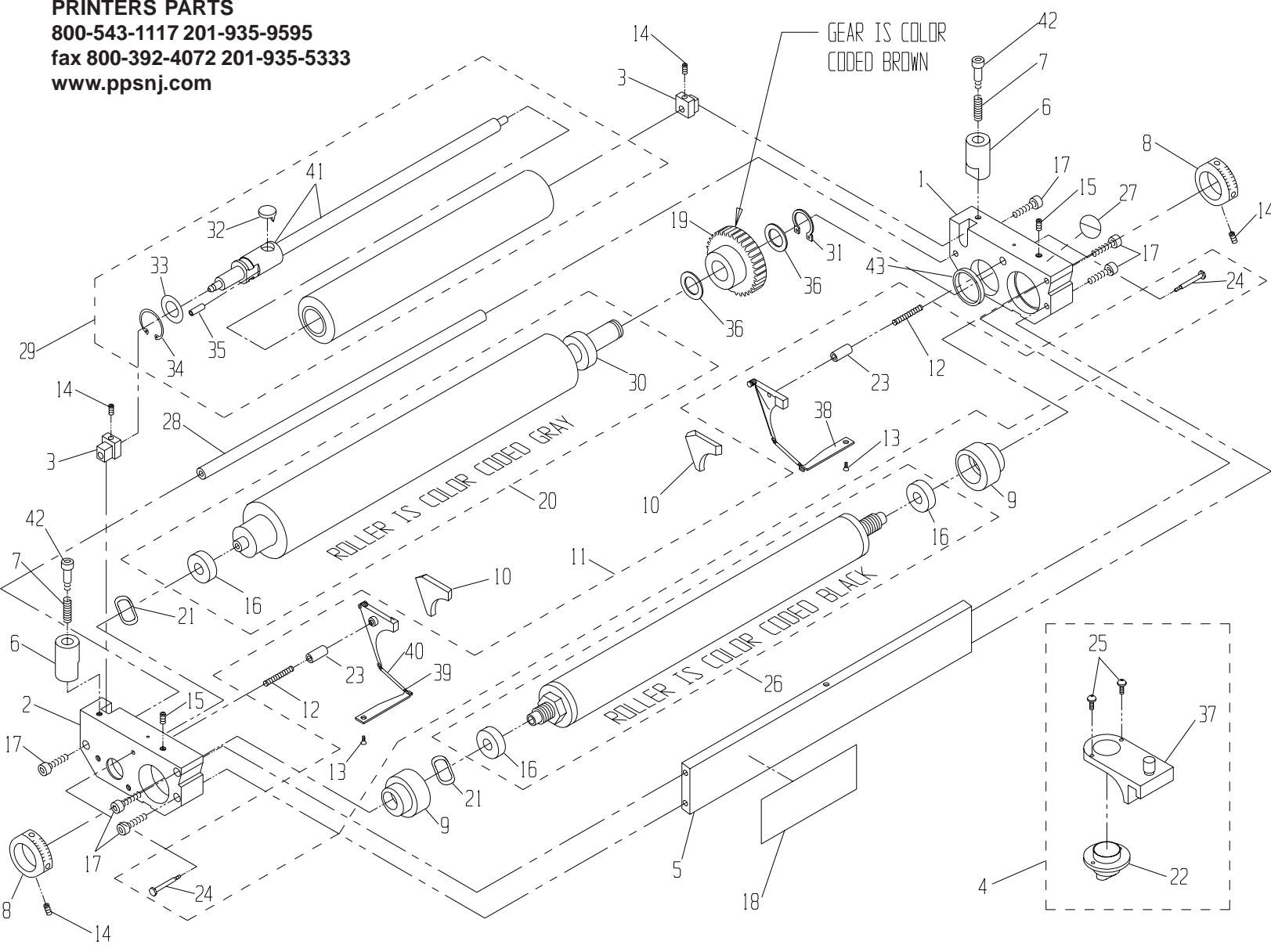
800-543-1117 201-935-9595

fax 800-392-4072 201-935-5333

www.ppsnj.com

REV	DESCRIPTION	ECN	BY	DATE
-	RELEASED TO PRODUCTION	N/A	P.M.	4-98
A	ITEM #29 WAS 081311	1411	Z.Z.	06-15-98

PRINTERS PARTS
800-543-1117 201-935-9595
fax 800-392-4072 201-935-5333
www.ppsnj.com

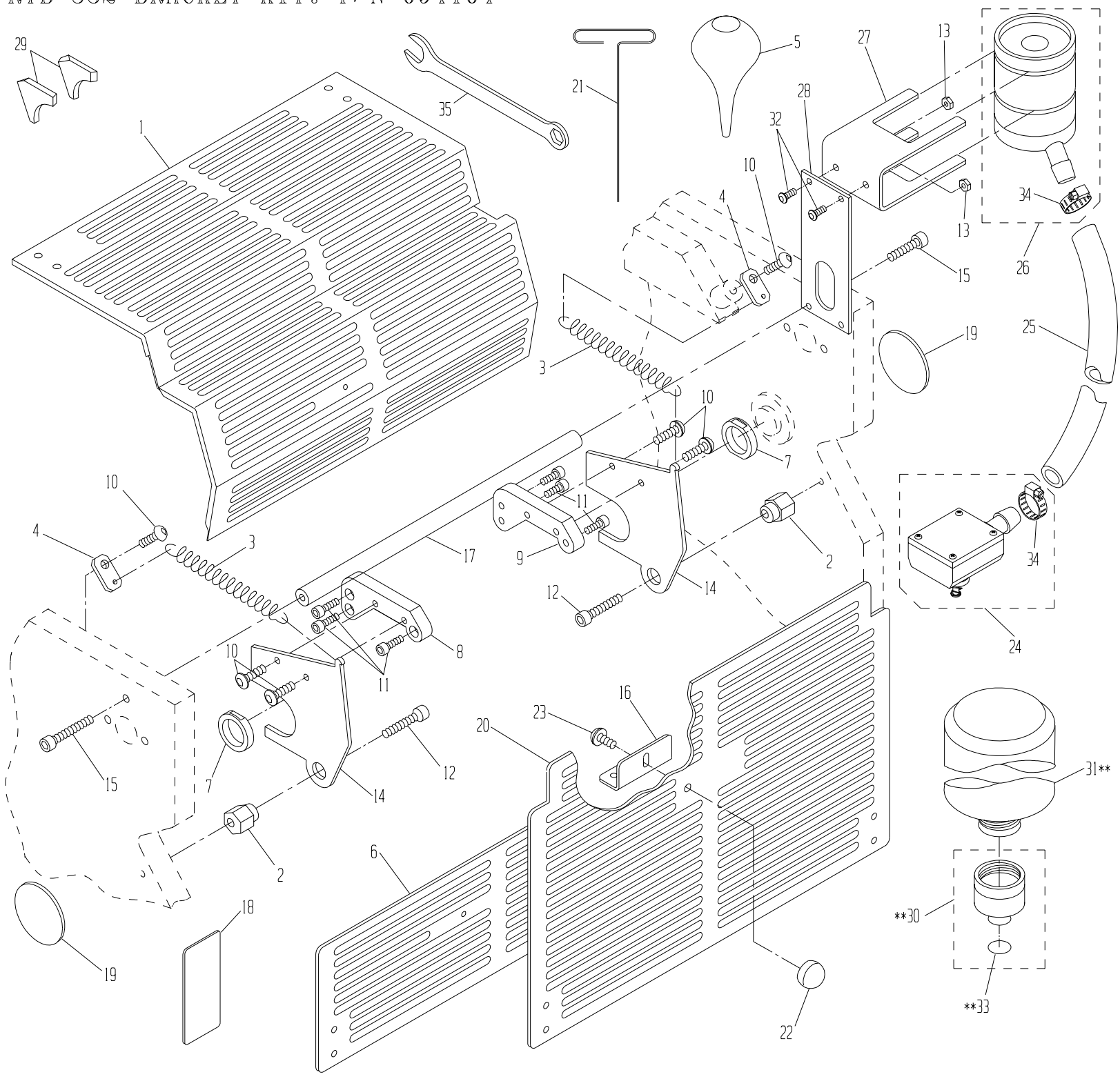


* PART IS INCLUDED IN OUTLINED SUBASSEMBLY.

43	094097	SPACER, FORM ROLLER	1
42	091708	SHOULDER SCREW, 6mm	2
41	091262	SHAFT ASSY, S.S.	*
40	092259	SPRING COVER	*
39	092236	TAB SPRING	*
38	090971	TAB, SHORT	*
37	094997	BRACKET, NOZZLE	*
36	091966	WASHER, FLAT	2
35	091949	SPRING PIN	*
34	091997	OSC. RETAINING CLIP	*
33	091965	OSC. RETAINING WASHER	*
32	091111	OSC. DRIVE SHAFT FOLLOWER	*
31	091662	RETAINING RING	1
30	092586	BEARING	*
29	091311	13-1/4 OSC. ROLL. PARTS ASSY	1
ITEM#	PART #	DESCRIPTION	QTY

28	090989	TIE ROD	1
27	092601	SAFETY STICKER	1
26	094240	13-1/4" METERING ROLLER W/B	1
25	091907	#6-32 X 3/8 PHILLIPS HD SCW	*
24	092296	SHOULDER SCREW	*
23	092304	GUIDE PIN	*
22	092604	NOZZLE	*
21	092491	WAVE WASHER	2
20	091900	13-1/4" FORM ROLLER W/B	1
19	092880	GEAR CLUTCH ASSY	1
18	090984	I.D. STICKER (HAMADA)	1
17	091898	M5 x 35mm SOC. HD. SCREW	6
16	092401	BEARING	*
15	091904	M5 x 16mm SET SCREW	2
ITEM#	PART #	DESCRIPTION	QTY

14	091888	M5 x 5mm SET SCREW	4
13	091901	M3 x 6mm SOC HD SCREW	*
12	092238	COMPRESSION SPRING	*
11	090970	BACKING PLATE KIT (HAMADA)	1
10	092370	SEAL SET (L & R)	1
9	092291	ECCENTRIC	2
8	092612	METERING GAUGE	2
7	092007	SPRING, COMPRESSION	2
6	094991	OSCILLATOR POST	2
5	090979	TIE BAR	1
4	098750	BRACKET NOZZLE ASSEMBLY	1
3	090985	ALIGNMENT BLOCK	2
2	090993	L.H. END FRAME	1
1	090994	R.H. END FRAME	1
ITEM#	PART #	DESCRIPTION	QTY



* ITEM IS INCLUDED WITH OUTLINED SUBASSEMBLY.

** ITEMS 6, 20, 30, 31 & 33 ARE NOT INCLUDED WITH BRACKET KIT (P/N 094104).

ITEM	PART NO.	DESCRIPTION	QTY.
1	094385	COVER (SAFETY)	1
2	094387	PIVOT BLOCK	2
3	094389	SPRING (EXTENSION)	2
4	094391	SPRING CLIP	2
5	092778	1 oz. SYRINGE	1
6	094399	SAFETY SHIELD	**
7	094394	FLANGE	2
8	094098	UNIT SUPPORT, L.H.	1
9	094099	UNIT SUPPORT, R.H.	1
10	091766	M6 x 12mm BUT HD CAP SCW	6
11	091891	M5 x 16mm CAP SCREW	6
12	091887	6mm x 30 CAP SCREW	2

ITEM	PART NO.	DESCRIPTION	QTY.
13	091968	10-24 NUT (LOCKING)	2
14	094382	MOUNTING BRACKET	2
15	091898	M5 x 35mm SOC. HD. CAP SCREW	2
16	094398	MAGNET SUPPORT	1
17	094401	TIE BAR	1
18	094408	RECTANGLE STICKER	1
19	094409	2" DIA STICKER	2
20	094371	LOWER SAFETY SHIELD	**
21	090756	2.5mm T-WRENCH	1
22	092055	BALL KNOB	1
23	091840	#10-32 x 3/8 PHILLIPS SCREW	1
24	092750	ADAPTER BASE ASS'Y	1

ITEM	PART NO.	DESCRIPTION	QTY.
25	092756	1/2" I.D. VINYL TUBING	1
26	092740	BOTTLE VALVE ASS'Y	1
27	092749	UNIVERSAL BOTTLE BRACKET	1
28	092748	UNIVERSAL BRACKET	1
29	092370	SEAL SET	1
30	092760	DISPENSING VALVE ASS'Y	**
31	092771	CALIBRATED BOTTLE	**
32	091819	#10-24 x 1/2" BT. HD. SCREW	2
33	092765	O-RING	*
34	091911	ADJUSTABLE HOSE CLAMP	*
35	093554	WRENCH	1