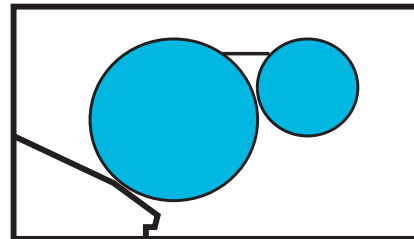


Date of Installation : _____

Unit Serial Number : _____

Kompac Dealer : _____
PRINTERS PARTS
800-543-1117 201-935-9595
fax 800-392-4072 201-935-5333
www.ppsnj.com

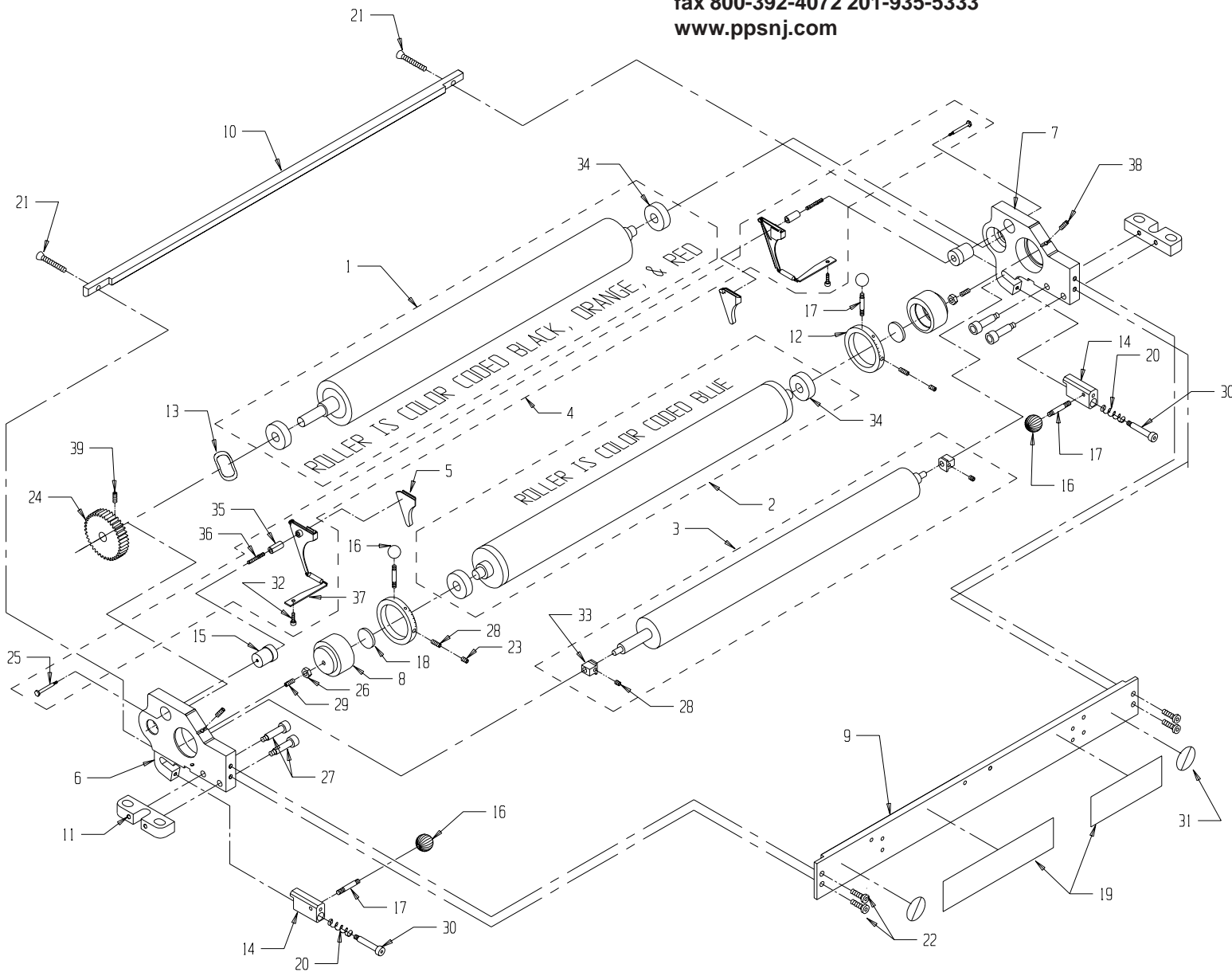
VARN
Kompac[®]



MODEL : RYB-522R

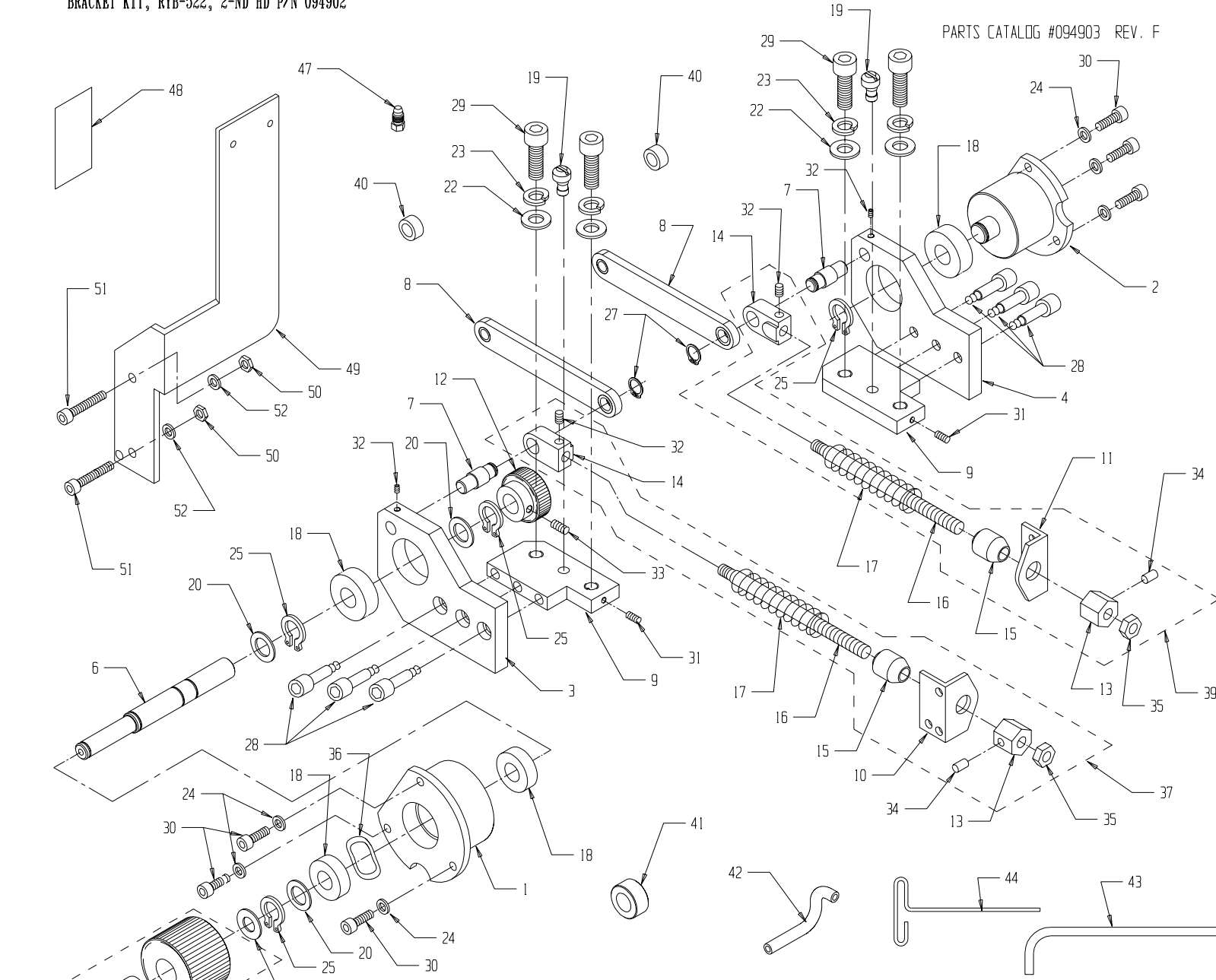
PARTS CATALOG # 94903 REV.F & 95921 REV.D

PRINTERS PARTS
800-543-1117 201-935-9595
fax 800-392-4072 201-935-5333
www.ppsnj.com

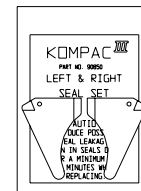


* ITEMS MARKED ARE PART OF AN OUTLINED SUBASSEMBLY

39	091700	M6 X 6mm SET SCREW	1	15.	091407	BACKING PLATE STANDOFF	2
38.	091687	M5 X 8mm SET SCREW	*	14.	095697	CLAMP, OSCILLATOR	2
37.	094927	TAB, RYB-522	*	13.	091772	WAVE WASHER Ø32mm	1
36.	092242	COMPRESSION SPRING	*	12.	091416	METERING GAUGE	2
35.	092304	GUIDE PIN	*	11.	091419	BLOCK, ATTACHMENT, GTO	2
34.	092586	BEARING, Ø 12 X Ø 32 X 10	*	10.	094899	TIE BAR, RYB-522	1
33.	092174	METRIC ALIGNMENT BLOCK	2	9.	094898	TIE PLATE, RYB-522	1
32.	091760	M4 X 10mm CAP SCREW	*	8.	091412	METERING ROLLER ECCENTRIC	2
31.	092601	SAFETY STICKER	2	7.	095262	SIDE FRAME, UNIT, RH	1
				6.	095261	SIDE FRAME, UNIT, LH	1
				5.	090850	R.H. AND L.H. KIII SEAL SET	1
				4.	091450	SEAL BACKING PLATE KIT	1
				3.	091470	KOLORMATE ASSY	1
				2.	098870	METERING ROLLER ASSY, 52/C	1
				1.	094810	FORM ROLLER ASSY	1
30.	091708	Ø 6mm X 30mm SHOULDER SCREW	2				
29.	091703	M5 X 12mm SET SCREW	2				
28.	091888	M5 X 5mm SET SCREW	2*				
27.	091722	M8 X 16mm SHOULDER SCREW	4				
26.	091752	M5 NUT	2				
25.	092303	SHOULDER SCREW	2				
24.	094866	GEAR, KOMPAC, 31 TEETH	1				
23.	091909	M5 X 4mm SET SCREW, SLOTTED	2				
22.	091773	M6 X 12 HEX SOC CAP SCREW	4				
21.	092092	M6 X 20 FH HEX SOC SCREW	2				
20.	095698	COMPRESSION SPRING	2				
19.	098026	LABELS, TIE PLATE	1				
18.	091413	THRUST PLATE	2				
17.	091417	THREADED STUD, SHORT	4				
16.	092055	BALL KNOB	4				

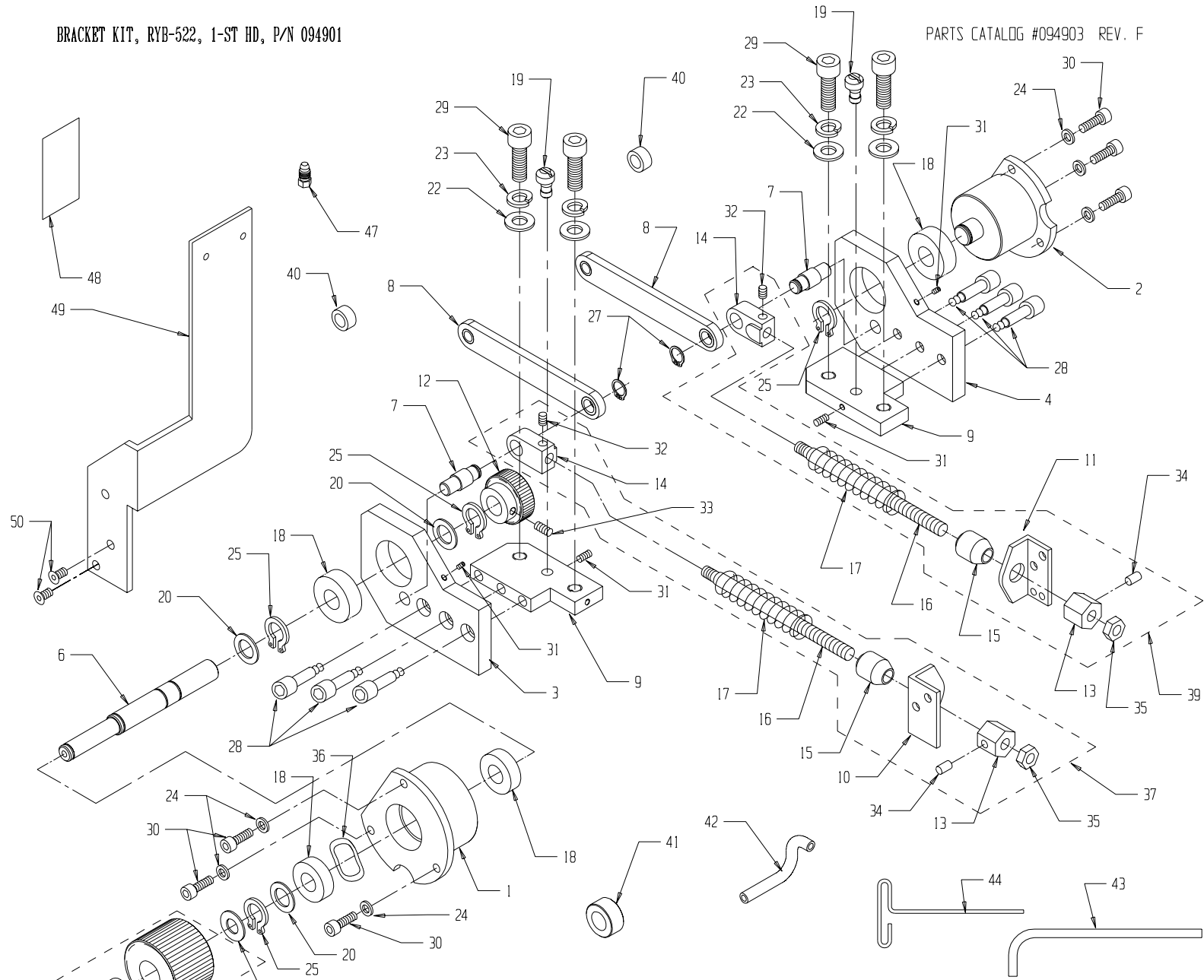


37.	094929	ASSY, STRIPE ROD, LH, 2ND HD	1
36.	091783	WAVE WASHER, 35mm	1
35.	091547	NUT, HEX JAM, 3/8 - 24, SPECIAL	*
34.	091546	SET SCREW, NYLON, M4 X 6mm	*
33.	091700	M6 X 6mm SET SCREW	1
32.	091598	M5 X 6mm SET SCR, DOG PT	2*
31.	091889	M5 X 10mm SET SCREW	2
30.	091761	M6 X 18mm CAP SCREW	6
29.	091629	SCREW, M10 X 30mm SDC HD CAP	4
28.	091711	M6 x 16mm SHOULDER SCREW	6
27.	091665	10mm RETAINING RING	2
26.	091662	12mm RETAINING RING	1
25.	091993	RETAINING RING, 15mm EXTERNAL	4
24.	091637	WASHER, BELLEVILLE, .264 x .374	6
23.	091741	M10 SPLIT LOCK WASHER	4
22.	091976	M10 FLAT WASHER	4
21.	091966	SPACER WASHER, 12mm	2
20.	092019	SPACER, .906 x .603 x .02	3
19.	091511	ADJUSTMENT ECCENTRIC	2
18.	092083	BEARING, Ø35 x Ø15 x 11mm(6202)	4
17.	094917	SPRING, COMPR. 4.00x.720x.112	*
16.	094884	ROD, SPRING, 5.62 LG	*
ITEM	PART NO.	DESCRIPTION	QTY.

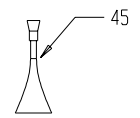
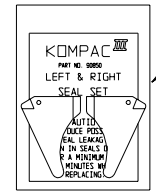


* ITEMS MARKED ARE PART OF AN OUTLINED SUBASSEMBLY

15.	098036	COLLAR, SPRING	*
14.	094868	UNION, PIVOT	*
13.	094867	NUT, ADJUSTMENT	*
12.	094865	GEAR, DRIVE	1
11.	094862	BRACKET, STRIPE ROD, RH	*
10.	094861	BRACKET, STRIPE ROD, LH	*
9.	094859	BLOCK, MOUNTING	2
8.	094888	LINK, ON/OFF, RYB-522, 2ND HD	2
7.	094857	SHAFT, SUPPORT	2
6.	094856	SHAFT, DRIVE, RYB-52	1
5.	094860	ASSY, GEAR & CLUTCH	1
4.	094854	BRACKET, MOUNTING, RH, RYB-52	1
3.	094853	BRACKET, MOUNTING, LH, RYB-52	1
2.	094852	BUSHING, PIVOT, RYB-52	1
1.	094851	HOUSING, BEARING, RYB-52	1
ITEM	PART NO.	DESCRIPTION	QTY.



37.	094896	ASSY, STRIPE ROD, LH, 1ST HD	1
36.	091783	WAVE WASHER, 35mm	1
35.	091547	NUT, HEX JAM, 3/8-24, SPECIAL	*
34.	091546	SET SCREW, NYLON, M4 x 6mm	*
33.	091700	M6 X 6 mm SET SCREW	1
32.	091598	M5 X 6 mm SET SCR, DQG PT	*
31.	091889	M5 X 10 mm SET SCREW	4
30.	091761	M6 X 18mm CAP SCREW	6
29.	091629	SCREW, M10 X 30mm SDC HD CAP	4
28.	091711	M6 x 16mm SHOULDER SCREW	6
27.	091665	10mm RETAINING RING	2
26.	091662	12mm RETAINING RING	1
25.	091993	RETAINING RING, 15mm EXTERNAL	4
24.	091637	WASHER, BELLEVILLE, .264 x .374	6
23.	091741	M10 SPLIT LOCK WASHER	4
22.	091976	M10 FLAT WASHER	4
21.	091966	SPACER WASHER, 12mm	2
20.	092019	SPACER, .906 x .603 x .02	3
19.	091511	ADJUSTMENT ECCENTRIC	2
18.	092083	BEARING, $\phi 35 \times \phi 15 \times 11\text{mm}$ (6202)	4
17.	094917	SPRING, COMPR. 4.00x.720x.112	*
16.	094895	ROD, SPRING, 5.81 LG	*

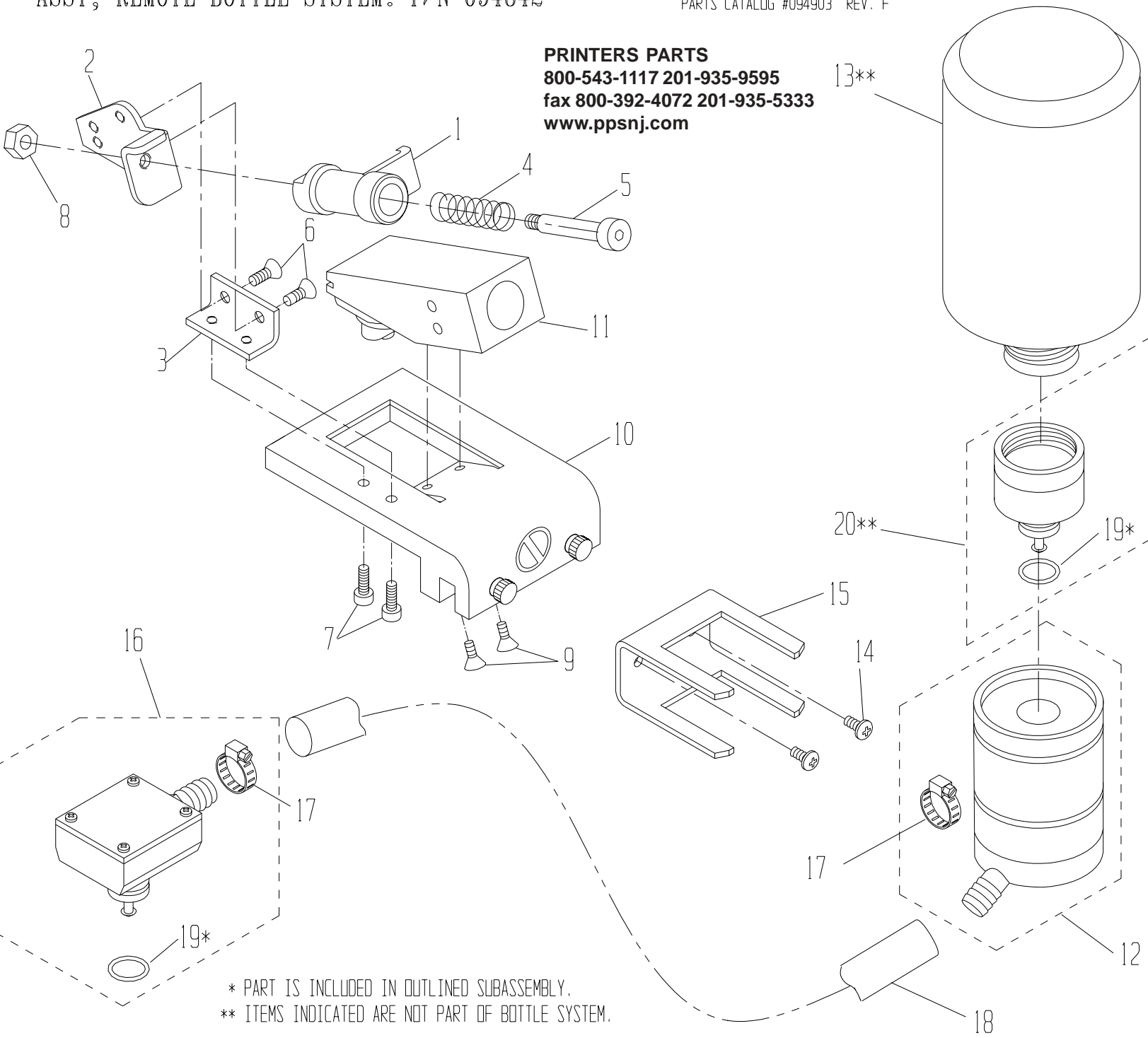


* ITEMS MARKED ARE PART OF AN OUTLINED SUBASSEMBLY

ITEM	PART NO.	DESCRIPTION	QTY.
50	091782	M5 x 8mm FLAT HD SCREW	2
49	094915	BRACKET, RECIRCUL. MTG	1
48	094408	RECT. STICKER	1
47.	092093	PLUG, BIJUR	6
46.	090850	KIII SEAL SET	1
45.	092061	LOCTITE, 5ML	1
44.	090756	T-ALLEN KEY, 2.5mm	1
43.	090758	BALL END ALLEN KEY, 8mm	1
42.	091528	PLASTIC HOSE, $\phi 1/2"$	1
41.	094886	SPACER, $\phi .562 \times \phi 1.00 \times .472$	1
40.	094870	SPACER, $\phi .398 \times \phi .625 \times .315$	2
39.	094897	ASSY, STRIPE ROD, RH, 1ST HD	1
38.	092056	12mm CLUTCH BEARING	*

15.	098036	COLLAR, SPRING	*
14.	094868	UNION, PIVOT	*
13.	094867	NUT, ADJUSTMENT	*
12.	094865	GEAR, DRIVE	1
11.	094893	BRACKET, STRIPE ROD, RH, 1ST	*
10.	094892	BRACKET, STRIPE ROD, LH, 1ST	*
9.	094859	BLOCK, MOUNTING	2
8.	094891	LINK, ON/OFF, RYB-522, 1ST HD	2
7.	094857	SHAFT, SUPPRT	2
6.	094856	SHAFT, DRIVE, RYB-52	1
5.	094860	ASSY, GEAR & CLUTCH	1
4.	094890	BRACKET, MTG, RH, RYB-522, 1ST	1
3.	094889	BRACKET, MTG, LH, RYB-522, 1ST	1
2.	094852	BUSHING, PIVOT, RYB-52	1
1.	094851	HOUSING, BEARING, RYB-52	1

PRINTERS PARTS
 800-543-1117 201-935-9595
 fax 800-392-4072 201-935-5333
 www.ppsnj.com



* PART IS INCLUDED IN OUTLINED SUBASSEMBLY.
 ** ITEMS INDICATED ARE NOT PART OF BOTTLE SYSTEM.

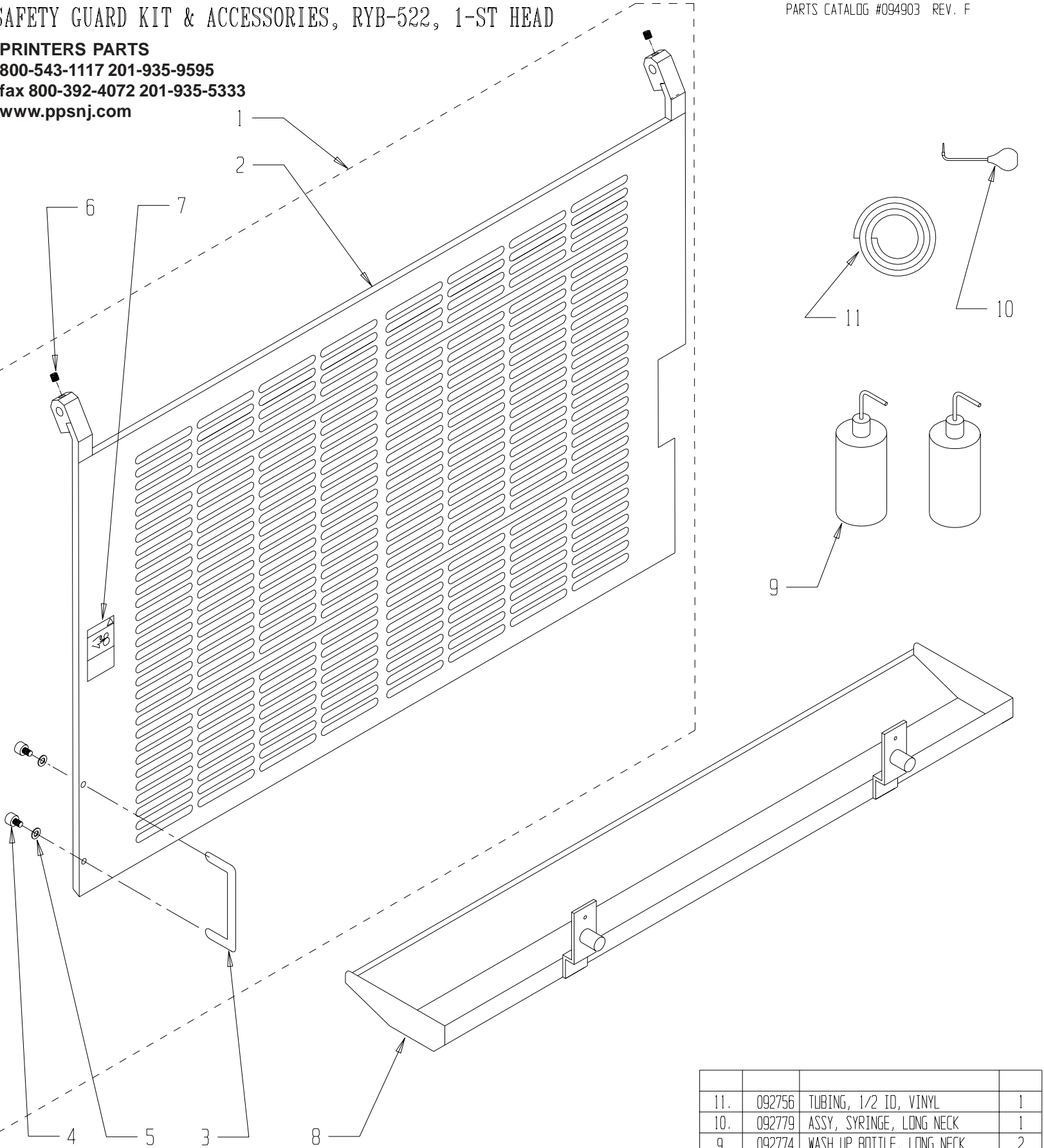
11	092700	NOZZLE ASSY	1
10	094844	BRACKET, NOZZLE, RYB 522	1
9	092003	#6 x 1/2 FLT HD PHILLIPS SCREW	2
8	091752	M5 HEX NUT	1
7	091691	M4 X 16mm, SOC HEAD CAP SCREW	2
6	091555	M4 X 6mm FL. HD. SOC SCREW	2
5	091708	M6 SHOULDER SCREW	1
4	094347	SPRING, COMPRESSION, .36 D.O.	1
3	098147	LATCH ANGLE BRACKET	1
2	098139	LATCH BRACKET	1
1	098138	NOZZLE LATCH	1
ITEM	PART NO.	DESCRIPTION	QTY.

20	092760	DISPENSING VALVE ASSY	1
19	092765	DISPENSING VALVE O-RING	*
18	092756	1/2" I.D. VINYL TUBING	1
17	091911	CLAMP, ADJUSTABLE, 1/4"-25/32"	*
16	092750	ADAPTER BASE ASSEMBLY	1
15	092749	BRACKET, BOTTLE, UNIVERSAL	1
14	091757	M5x10mm SOC HEAD CAP SCREW	2
13	092772	BOTTLE CALIBRATED, 1/2 GAL.	1
12	092740	BOTTLE VALVE ASSY	1
PART #		DESCRIPTION	QTY.

SAFETY GUARD KIT & ACCESSORIES, RYB-522, 1-ST HEAD

PARTS CATALOG #094903 REV. F

PRINTERS PARTS
 800-543-1117 201-935-9595
 fax 800-392-4072 201-935-5333
 www.ppsnj.com

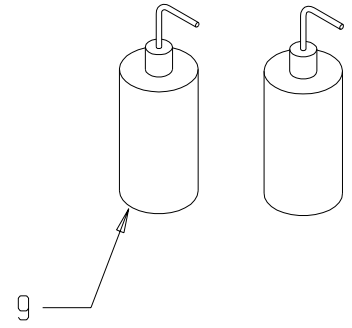
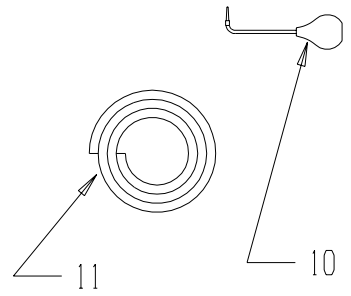
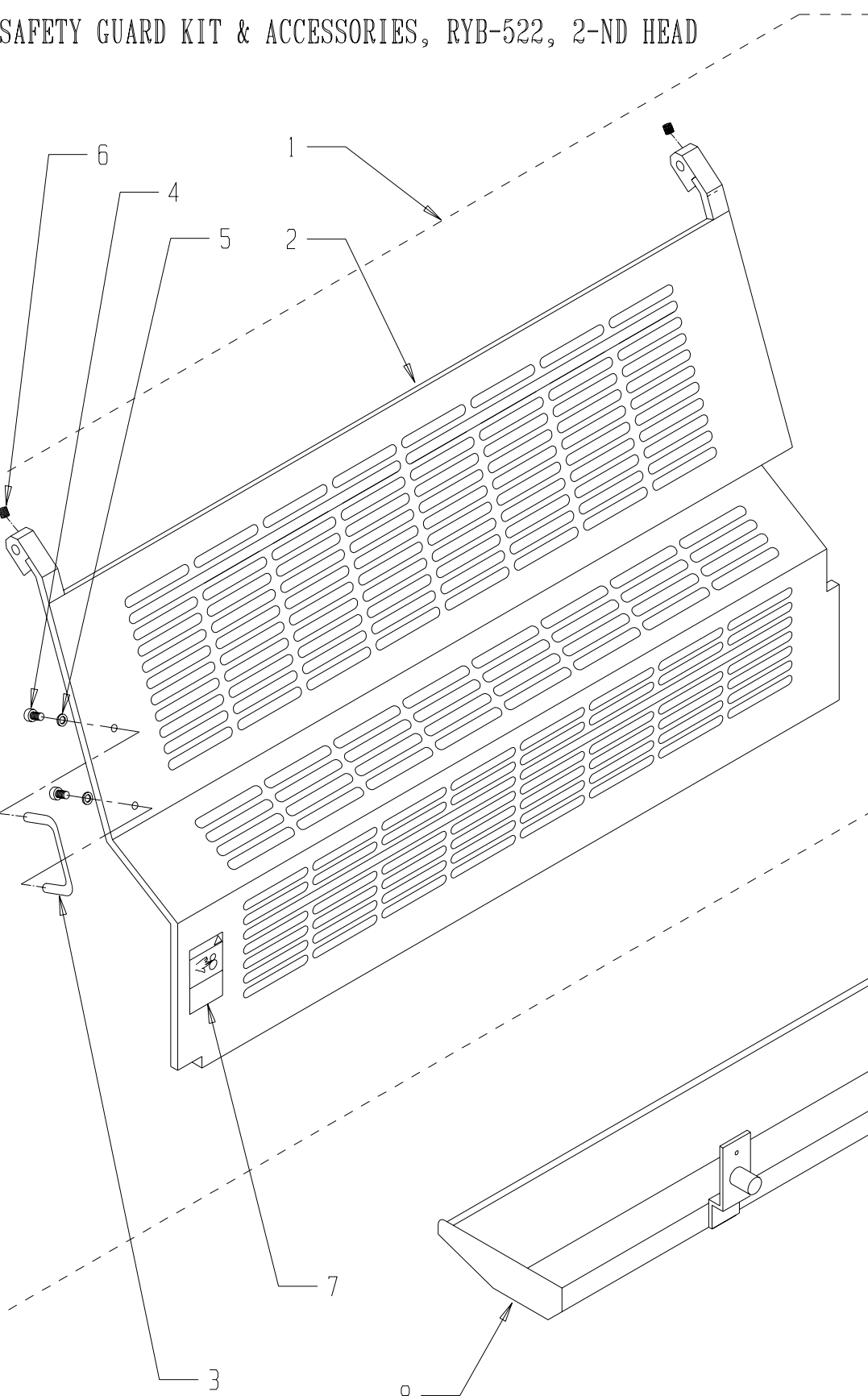


ITEM	PART NO.	DESCRIPTION	QTY.
11.	092756	TUBING, 1/2 ID, VINYL	1
10.	092779	ASSY, SYRINGE, LONG NECK	1
9.	092774	WASH UP BOTTLE, LONG NECK	2
8.	094907	PAN, DRIP, RYB-522	1
7.	098134	LABEL, SAFETY GUARD	*
6.	091700	SCREW, SET M6x6 HEX SDC	*
5.	091978	WASHER, # 10 FLAT	*
4.	091845	SCREW, #10-32 x .38 CAP HEX SDC	*
3.	092077	PULL HANDLE	*
2.	094908	GUARD, SAFETY, 1-ST HD, RYB-522	*
1.	094913	KIT, SAFETY GUARD, 1-ST HD	1

SAFETY GUARD KIT & ACCESSORIES, RYB-522, 2-ND HEAD

PARTS CATALOG #094903 REV. F

PRINTERS PARTS
800-543-1117 201-935-9595
fax 800-392-4072 201-935-5333
www.ppsnj.com



11.	092756	TUBING, 1/2 ID, VINYL	1
10.	092779	ASSY, SYRINGE, LONG NECK	1
9.	092774	WASH UP BOTTLE, LONG NECK	2
8.	094907	PAN, DRIP, RYB-522	1
7.	098134	LABEL, SAFETY GUARD	*
6.	091700	SCREW, SET M6x6 HEX SDC	*
5.	091978	WASHER, # 10 FLAT	*
4.	091845	SCREW, #10-32 x .38 CAP HEX SDC	*
3.	092077	PULL HANDLE	*
2.	094909	GUARD, SAFETY, 2-ND HD,RYB-522	*
1.	094914	KIT, SAFETY GUARD, 2-ND HD	1
ITEM	PART NO	DESCRIPTION	QTY.

HOSE KIT ASS'Y: P/N 095924

PARTS CATALOG P/N 095921, REV. D

NOTES:

1. GIVEN QUANTITY IS PER (1) PRINTING HEAD
2. ITEMS MARKED * ARE PART OF OUTLINED SUBASS'Y
2. ITEMS MARKED ** - FOR 2 COLOR PRESS.
3. ITEMS MARKED *** - FOR 1 COLOR PRESS.

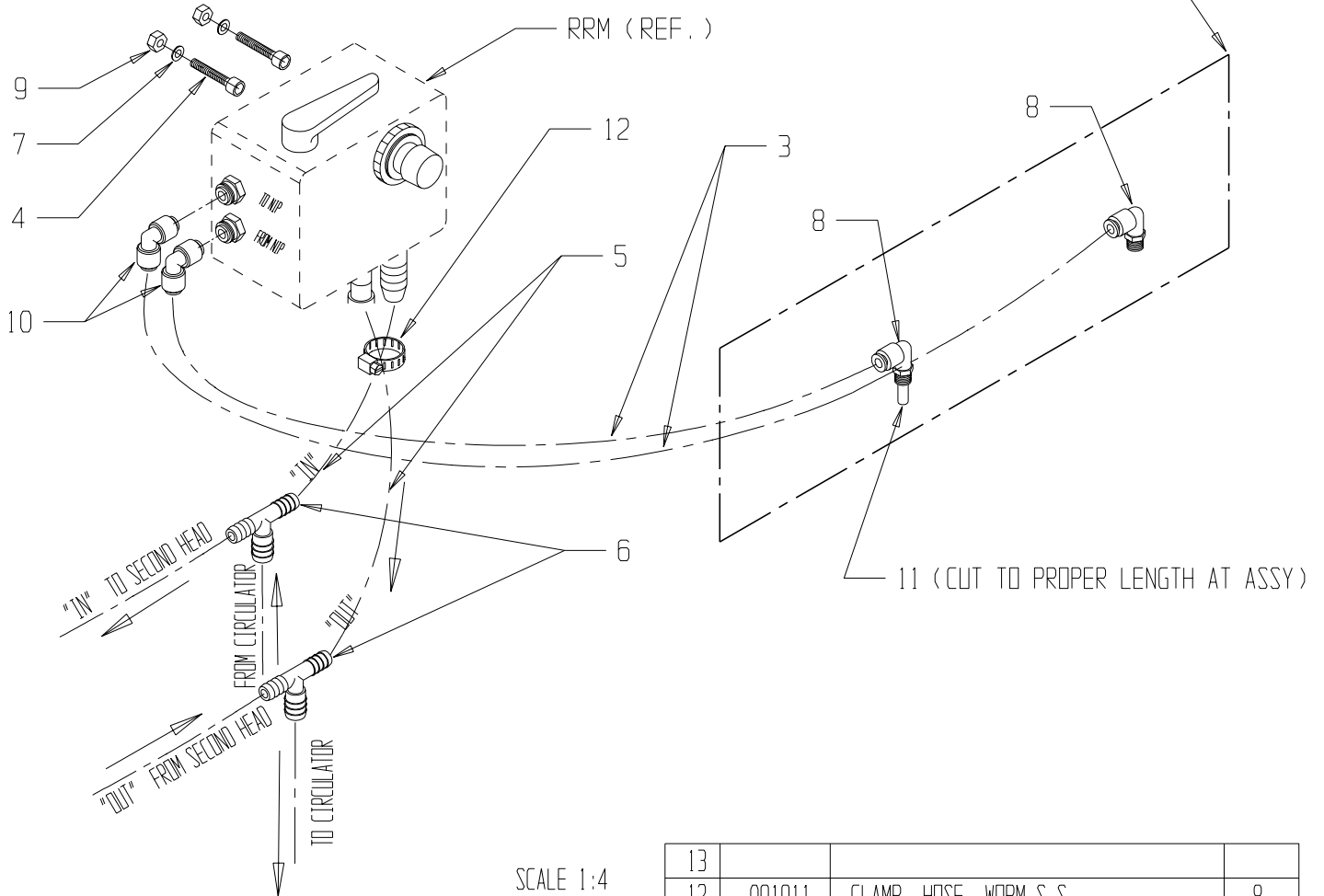
PRINTERS PARTS

800-543-1117 201-935-9595

fax 800-392-4072 201-935-5333

www.ppsnj.com

SEE SHEET FOR SPECIFIC ATTACHMENT BRACKET



SCALE 1:4

	13		
	12	091911	CLAMP, HOSE, WORM S.S.
	11	091078	1/4 D.D. TUBING, 2" LG
	10	091082	ELBOW 1/4 D.D. TUBING
	09	091752	NUT, HEX, M5x0.8
	08	094916	ELBOW
	07	091740	WASHER, SPLIT, LOCK M5
***	06	091066	REDUCER 1/2 X 3/8
**	06	091077	BARB TEE 1/2 X 3/8 X 3/8
	05	091081	PVC FLEX. TUBING 3/8 I.D. X 5/8 D.D.
	04	091883	SCREW M5x25 PHIL PAN HD
	03	091079	TUBING 1/4 D.D. X .170 I.D.(POLYETH)
	02		
	01		
ITEM	PART NO.	DESCRIPTION	QTY.

RECIRCULATOR SUBASS'Y: P/N 094730

PARTS CATALOG P/N 095921, REV. D

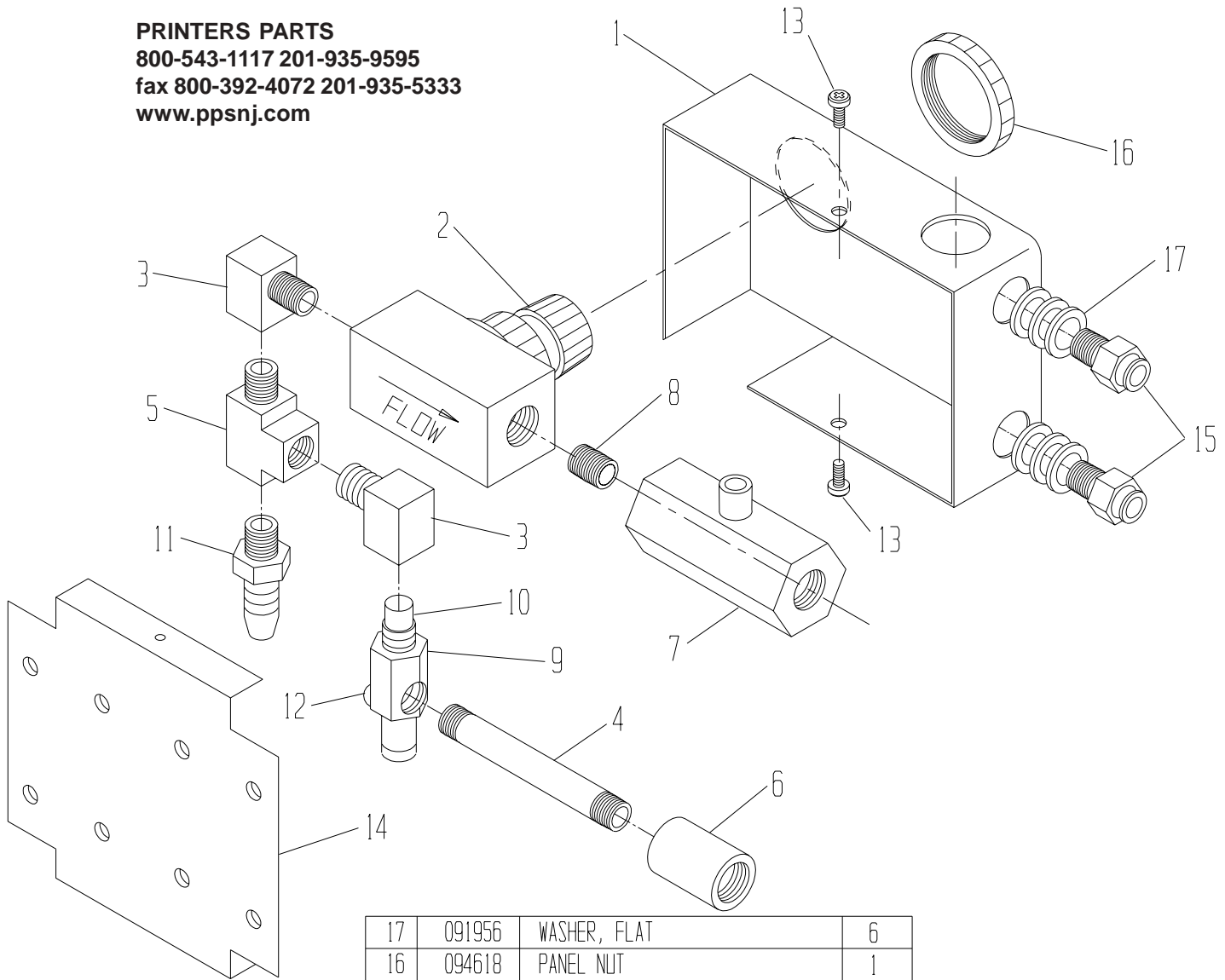
NOTE: USE THREAD SEALANT FELPRO #51370 OR
EQUIVALENT ON ALL PIPE THREADED CONNECTIONS

PRINTERS PARTS

800-543-1117 201-935-9595

fax 800-392-4072 201-935-5333

www.ppsnj.com



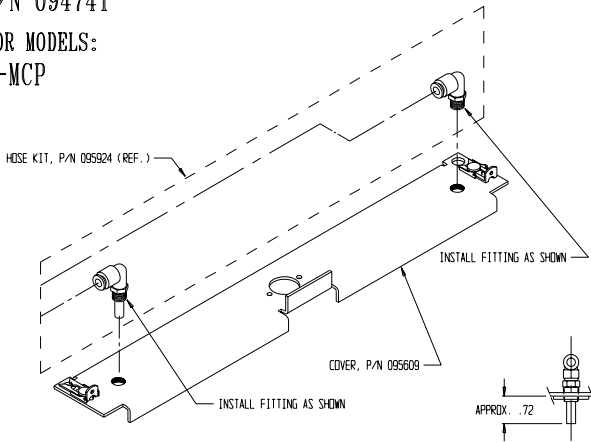
17	091956	WASHER, FLAT	6
16	094618	PANEL NUT	1
15	095955	CONNECTOR 1/8 NPT x 1/4 HOSE.	2
14	094612	PLATE, MOUNTING	1
13	091907	SCREW #6-32 PAN HD. SELF-TAP	2
12	091824	SCREW #6-32 TRUSS HD.	1
11	091062	FITTING, 1/8 NPT x 3/8 BARB	1
10	095939	TIP, VACUUM	1
09	095938	BODY, VACUUM	1
08	095948	NIPPLE, CLOSE, 1/8 NPT	1
07	095949	BALL VALVE	1
06	094616	COUPLING, 1/8 NPT	1
05	094613	TEE, STREET, 1/8 NPT	1
04	094615	NIPPLE, LONG, 1/8 NPT	1
03	094614	ELBOW, STREET, 1/8 NPT	2
02	094617	NEEDLE VALVE	1
01	094611	ENCLOSURE	1
ITEM	PART NO.	DESCRIPTION	QTY.

RRM NOZZLE BRACKET ASS'Y

PARTS CATALOG P/N 095921, REV. D

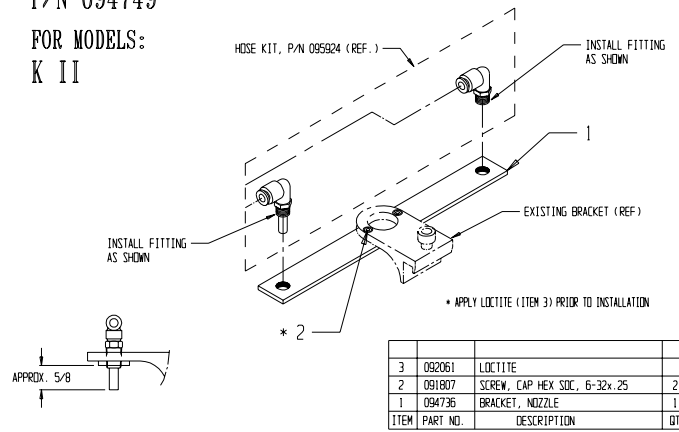
P/N 094741

FOR MODELS:
D-MCP



P/N 094749

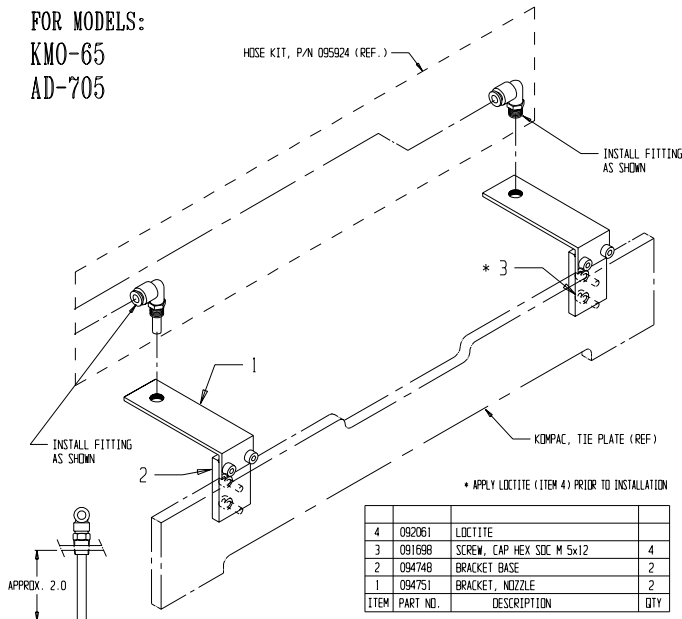
FOR MODELS:
K II



ITEM	PART NO.	DESCRIPTION	QTY
3	092061	LOCTITE	
2	091607	SCREW, CAP HEX SDC, 6-32x.25	2
1	094736	BRACKET, NOZZLE	1

P/N 094742

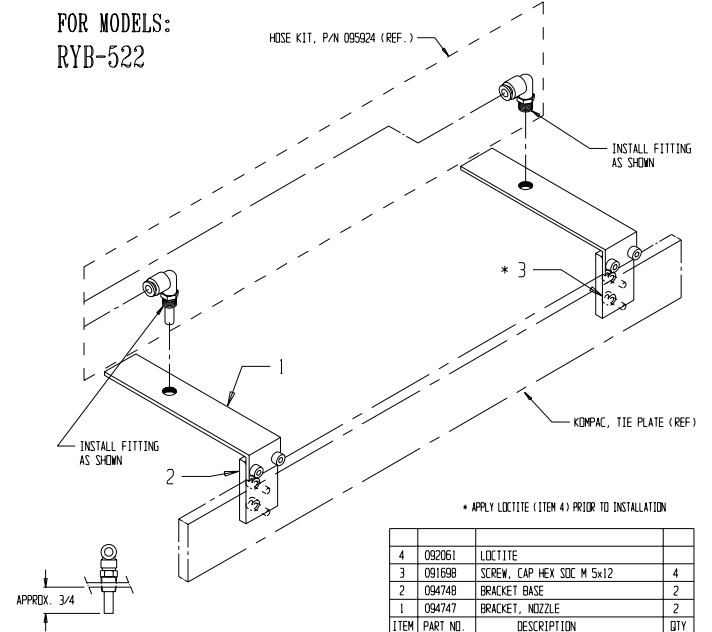
FOR MODELS:
KMO-65
AD-705



ITEM	PART NO.	DESCRIPTION	QTY
4	092061	LOCTITE	
3	091698	SCREW, CAP HEX SDC, M 5x12	4
2	094748	BRACKET BASE	2
1	094751	BRACKET, NOZZLE	2

P/N 094746

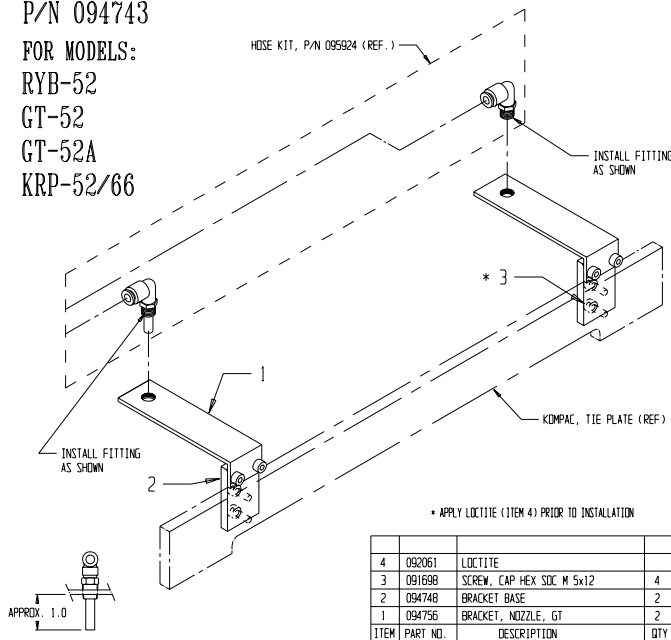
FOR MODELS:
RYB-522



ITEM	PART NO.	DESCRIPTION	QTY
4	092061	LOCTITE	
3	091698	SCREW, CAP HEX SDC, M 5x12	4
2	094748	BRACKET BASE	2
1	094747	BRACKET, NOZZLE	2

P/N 094743

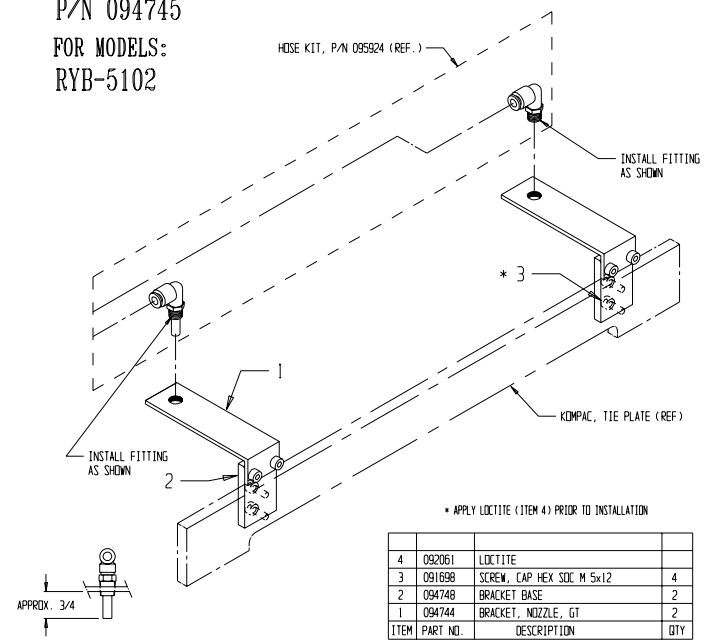
FOR MODELS:
RYB-52
GT-52
GT-52A
KRP-52/66



ITEM	PART NO.	DESCRIPTION	QTY
4	092061	LOCTITE	
3	091698	SCREW, CAP HEX SDC, M 5x12	4
2	094748	BRACKET BASE	2
1	094756	BRACKET, NOZZLE, GT	2

P/N 094745

FOR MODELS:
RYB-5102



ITEM	PART NO.	DESCRIPTION	QTY
4	092061	LOCTITE	
3	091698	SCREW, CAP HEX SDC, M 5x12	4
2	094748	BRACKET BASE	2
1	094744	BRACKET, NOZZLE, GT	2