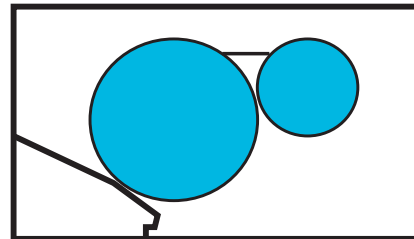


Date of Installation : _____

Unit Serial Number : _____

Kompac Dealer : _____
PRINTERS PARTS
800-543-1117 201-935-9595
fax 800-392-4072 201-935-5333
www.ppsnj.com

VARN
Kompac[®]



MODEL : TK 4750M
PARTS CATALOG # 90342 REV.E

TK 4750M PARTS CATALOG

P/N 090342

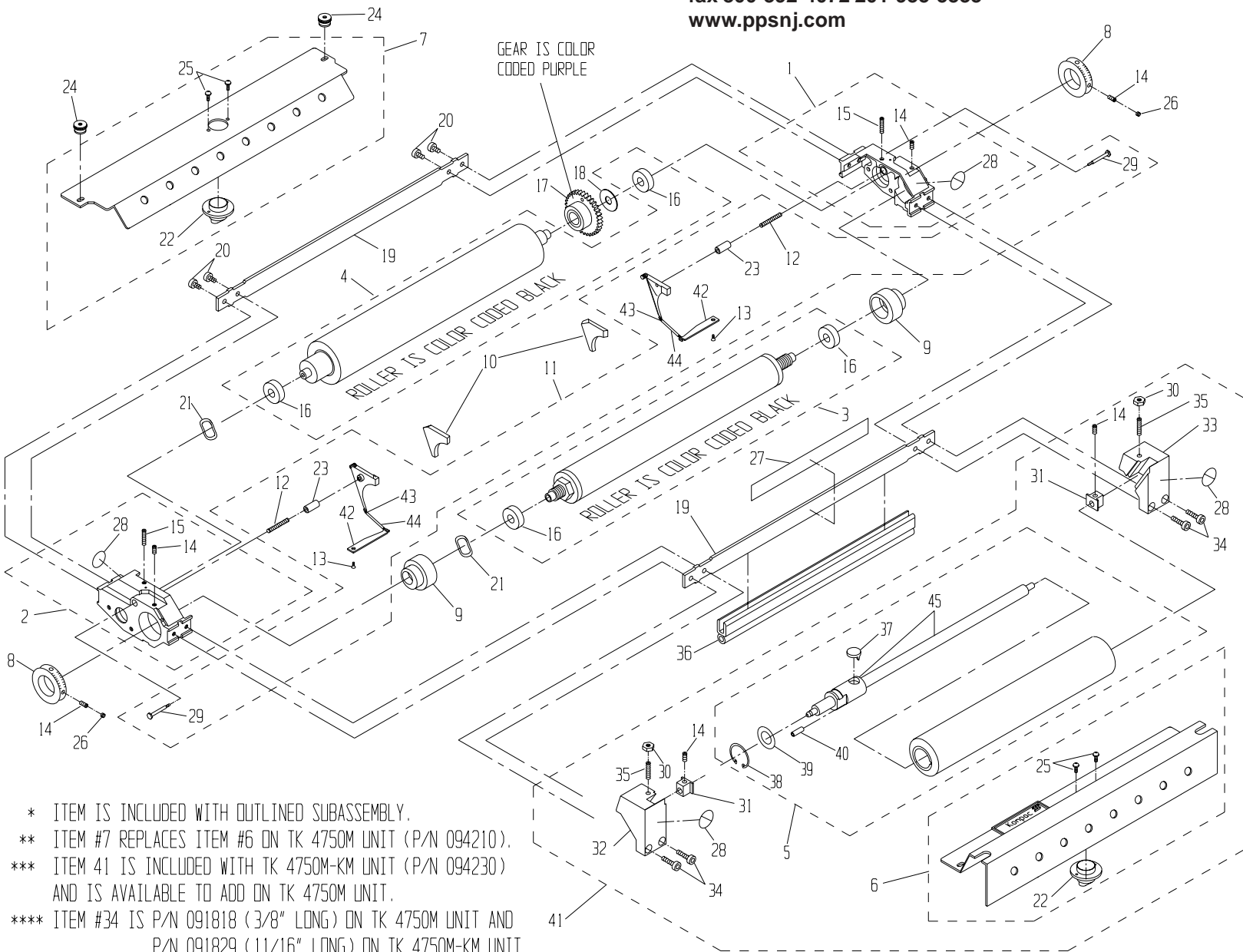
PRINTERS PARTS

800-543-1117 201-935-9595

fax 800-392-4072 201-935-5333

www.ppsnj.com

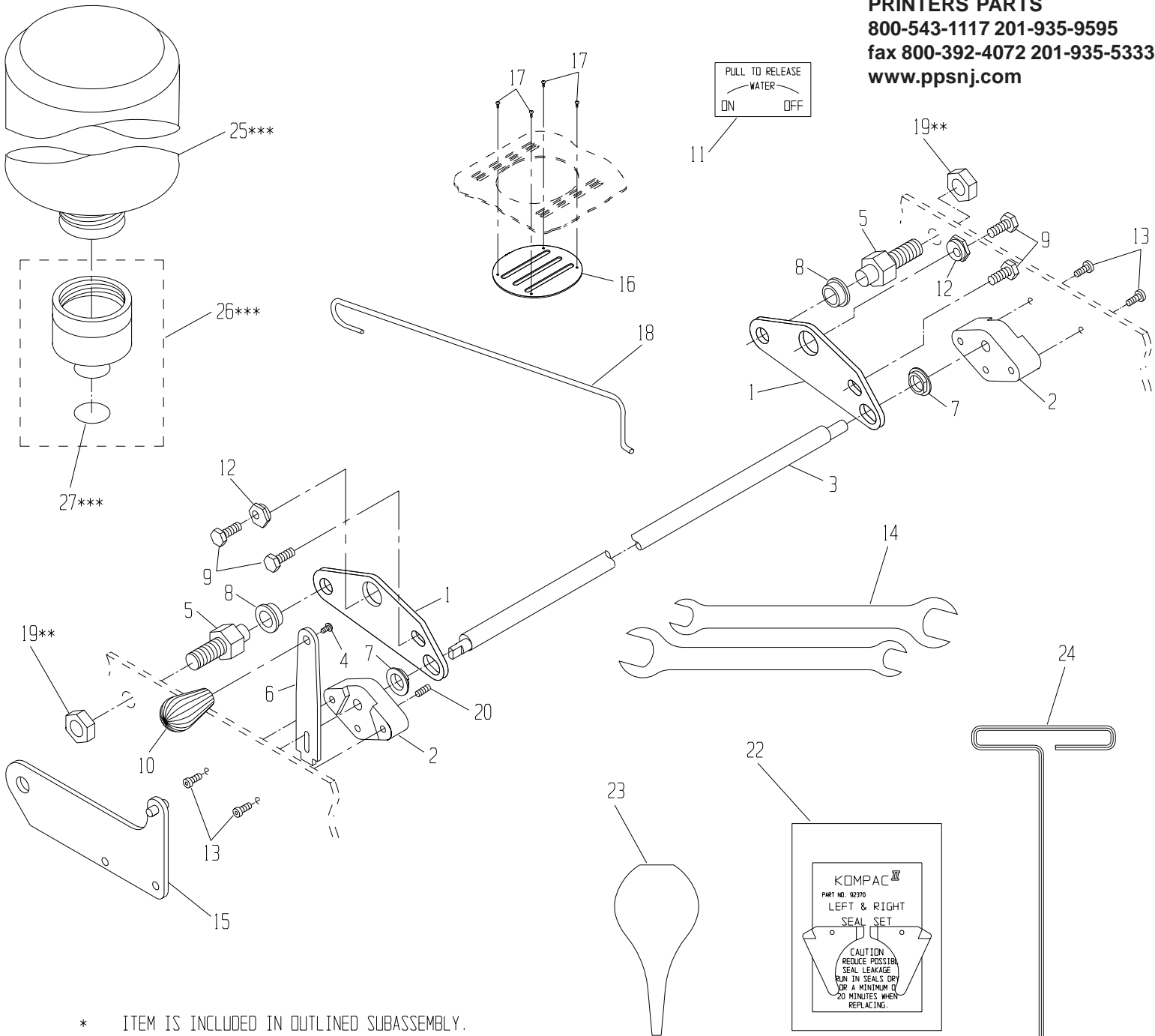
REV	DESCRIPTION	ECN	BY	DATE
A	UPDATED TO NEW PARTS CATALOG FORMAT	1132	MJC	9-19-95
B	REPLACED P/N 091311 WITH 081311.	1207	MJC	7-9-96
C	ADDED SHAFT ASSY S.S. 091262	1252	BS	1-31-97
D	91117 WAS 91111	1280	BS	5-02-97
E	ITEM #5 WAS 081311	1411	ZZ	06-16-98



- * ITEM IS INCLUDED WITH OUTLINED SUBASSEMBLY.
- ** ITEM #7 REPLACES ITEM #6 ON TK 4750M UNIT (P/N 094210).
- *** ITEM #41 IS INCLUDED WITH TK 4750M-KM UNIT (P/N 094230) AND IS AVAILABLE TO ADD ON TK 4750M UNIT.
- **** ITEM #34 IS P/N 091818 (3/8" LONG) ON TK 4750M UNIT AND P/N 091829 (11/16" LONG) ON TK 4750M-KM UNIT.

45	091262	SHAFT ASSY S.S.	*	30	091982	#10-32 NUT	2	15	091814	#10-24 X 3/4 SET SCREW	*
44	092259	SPRING COVER	*	29	092303	SHOULDER SCREW	*	14	091811	#10-24 X 1/4 SET SCREW	4 *
43	092236	TAB SPRING	*	28	092601	INWARD NIP SYMBOL	2*	13	091802	#3-48 X 1/4 FLAT HD SCREW	*
42	092234	TAB	*	27	092494	WARNING STICKER	1	12	092238	COMPRESSION SPRING	*
41	096580	KOLORMATE MODEL 90	***	26	091810	#10-24 X 1/8 SLOT SET SCW	2	11	092290	BACKING PLATE KIT (L & R)	1
40	091949	SPRING PIN	*	25	091806	#6-32 X 3/8 PHILLIPS HD SCW	*	10	092370	KOMPAC SEAL SET (L & R)	1
39	091965	WASHER	*	24	092691	COVER NUT	2	9	092291	ECCENTRIC	2
38	091997	RETAINING CLIP	*	23	092304	GUIDE PIN	*	8	092222	METERING GAUGE	2
37	091117	DRIVE SHAFT FOLLOWER	*	22	092604	NOZZLE	*	7	092620	13" COVER ASSEMBLY	1**
36	094216	PLATE GUARD	1	21	092491	WAVE WASHER	2	6	091360	13" COVER ASSY (OSC)	**
35	091851	#10-32 X 1 SET SCREW	2	20	091838	#10-24 X 3/8 HEX HD SCREW	4	5	091311	ASSY, 13-1/4" OSC., LONG S.	1
34	****	#10-24 SOCKET HEAD SCREW	4	19	094215	13-1/4" TIE BAR	2	4	094250	13-1/4" FORM ROLLER W/B	1
33	091017	R.H. OSC. END BLOCK	1	18	092415	THRUST WASHER	1	3	094240	13-1/4" METERING ROLLER W/B	1
32	091018	L.H. OSC. END BLOCK	1	17	092920	GEAR CLUTCH ASSY, TK 47	1	2	092210	L.H. END FRAME ASSY	1
31	091219	ALIGNMENT BLOCK	2	16	092401	BEARING	*	1	092200	R.H. END FRAME ASSY	1
ITEM#	PART #	DESCRIPTION	QTY	ITEM#	PART #	DESCRIPTION	QTY	ITEM#	PART #	DESCRIPTION	QTY

PRINTERS PARTS
800-543-1117 201-935-9595
fax 800-392-4072 201-935-5333
www.ppsnj.com



- * ITEM IS INCLUDED IN OUTLINED SUBASSEMBLY.
- ** ITEM IS USED ON MULTI 1218 PRESS ONLY.
- *** ITEMS 25, 26 & 27 ARE NOT INCLUDED WITH BRACKET KIT (P/N 094280).

ITEM	PART NO.	DESCRIPTION	QTY.
27	92765	O-RING	*
26	92760	DISPENSING VALVE ASSY	***
25	92771	CALIBRATED BOTTLE	***
24	90755	3/32 T-WRENCH	1
23	92778	KOMPAC SYRINGE	1
22	92370	KOMPAC SEAL SET (L & R)	1
21	94223	GEAR GUARD TEMPLATE	1
20	91850	10-32x1/2 OVAL POINT SET SCREW	1
19	91975	3/8-16 NUT	2**

ITEM	PART NO.	DESCRIPTION	QTY.
18	94239	SAFETY COVER SECURING ARM	1
17	91824	6-32x1/4 TRUSS HEAD SCREW	4
16	94238	SAFETY COVER PLUG	1
15	94244	DRILL TEMPLATE	1
14	93555	KOMPAC WRENCH	2
13	91842	10-32x5/8 SOCKET HEAD CAP SCREW	4
12	93543	BRACKET ECCENTRIC	2
11	94222	ON/OFF DECAL	1
10	94228	KNOB	1
9	91867	1/4-20x1 HEX HEAD SCREW	4
8	93816	FLANGE BEARING	2
7	94247	MODIFIED FLANGE BEARING	2
6	94246	PLATE ARM	1
5	94245	OUTSIDE SHOULDER BOLT	2
4	91840	10-32x3/8 PHIL BUTTON HD SCREW	1
3	94243	ECCENTRIC SHAFT	1
2	94242	PIVOT BLOCK	2
1	94241	SIDE BRACKET	2