

UCHIDA

Parts List

Uchida Paper Folding Machine

Model F-45N,F-43N (306A),F-30N,F-25N and F-15N



PRINTERS PARTS
800-543-1117 201-935-9595
fax 800-392-4072 201-935-5333
www.ppsnj.com

Screw, nuts, washers, to be used for folders

Description of parts (screw,E-ring, spring pin, etc.) illustrated

* Orders for screws, washers, etc. should be given based on a minimum lot of 30 per item to facilitate shipping.

(We ask that orders be given at one time for as many items as possible.)

Parts ref #	Parts Name	Size	Example:
RK	: Round head screw (30 pcs/set)	1-4mm 5mm or more	RKSW4x6-2 : Two round head screws with spring washer 4mm in diameter, 6mm long
RKSW	: Round head screw with spring washer (30 pcs/set)	1-4mm 5mm or more	RKWS4x8 : One round head screw with spring washer 4mm in diameter, 8mm long
RKWS	: Flat washer and round head screw with spring washer (30 pcs/set)		
HB	: Hexagon head screw (30 pcs/set)		HS4x6 : One hexagon socket set screw 4mm in diameter, 6mm long
SK	: Countersunk head screw (30 pcs/set)		
HS	: Hexagon socket set screw (30 pcs/set)		N, SW4 : One each of spring washer 4mm in diameter plus nut
BD	: Bind screw (30 pcs/set)		
TP	: Self-tapping screw (RKTP...pan head, SKTP...countersunk) (30 pcs/set)		SP3x20 : One spring pin 3mm in diameter, 20mm long
N	: Nut (30 pcs/set)	1-6mm 6mm or more	E4-2 : Two 4mm E rings
SW	: Spring washer (30 pcs/set)		
W	: Flat washer (30 pcs/set)		
SP	: Spring pin (30 pcs/set)	1-3mm 4mm or more	
E	: E-type stopper ring (E ring)	1-8mm	

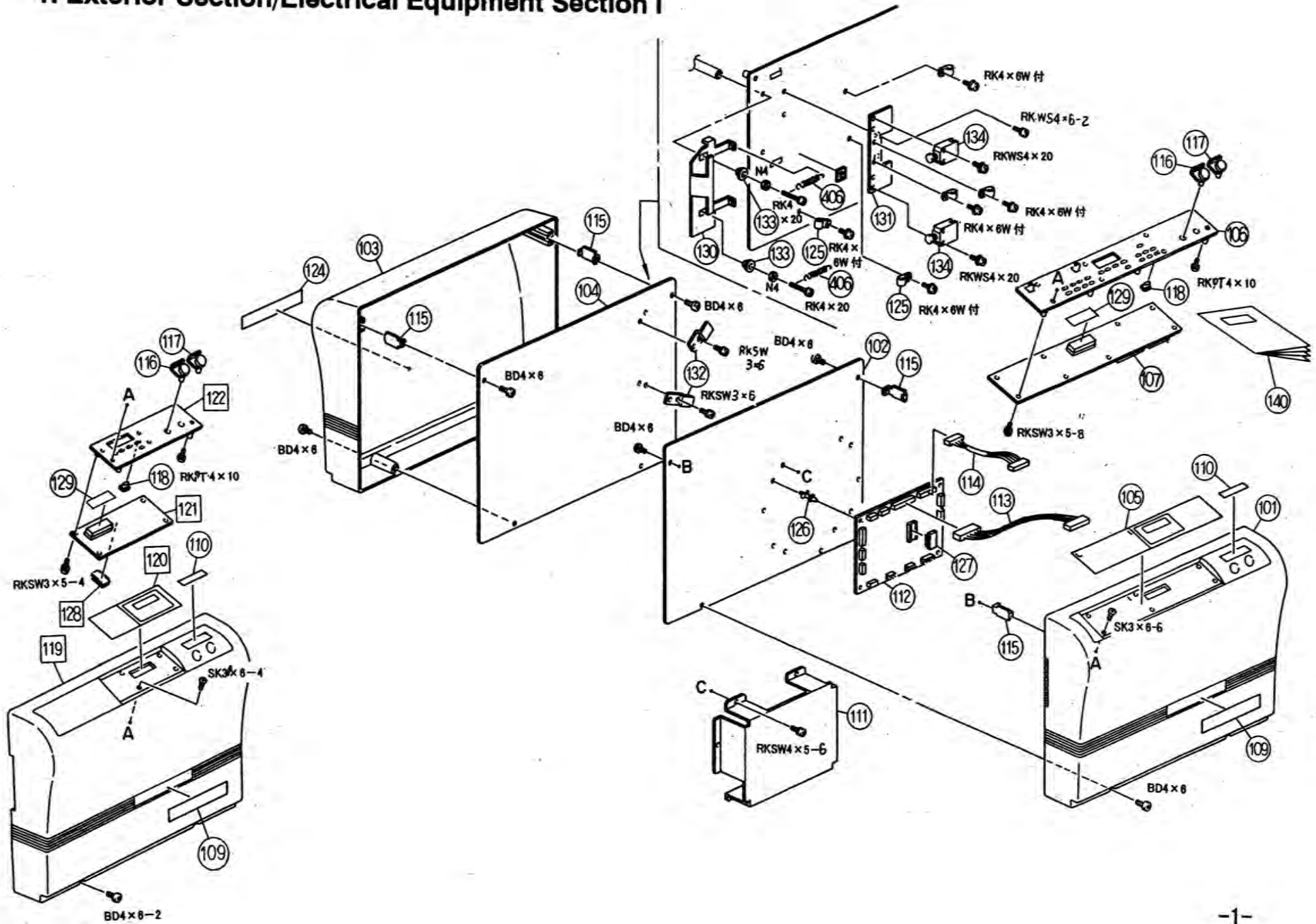
[Note]

-Prices shown are unit prices for single parts. They do not include consumption tax.

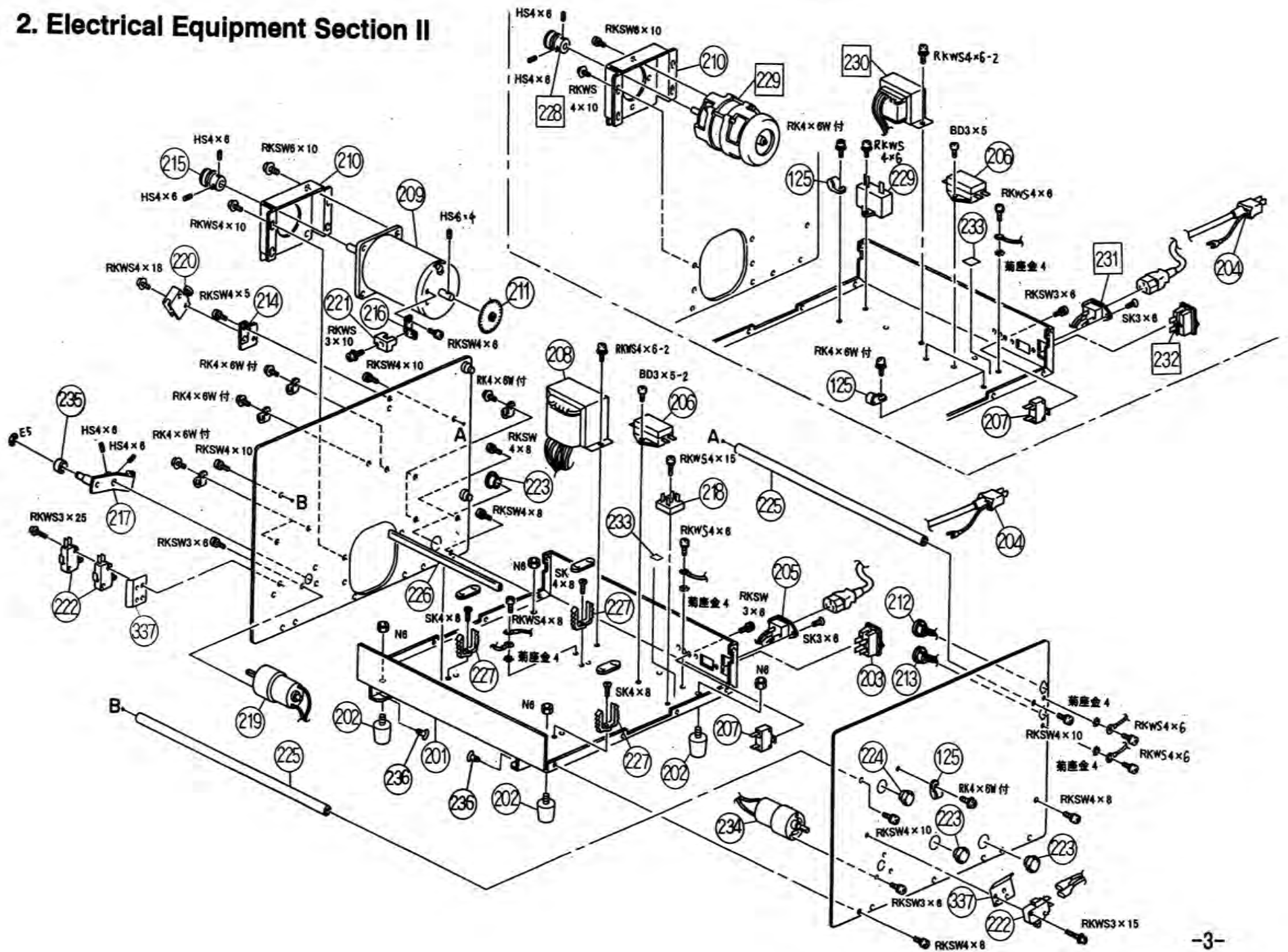
-The parts within boxes: are for F-30N, F-25N, and F-15N only.

1. Exterior Section/Electrical Equipment Section I	1
2. Electrical Equipment Section II	3
3. Paper Feed Table Section/Paper Guide Section	5
4. Drive Unit	8
5. Table 1 and 2 Section	10
6. Sewing Machine Table	15

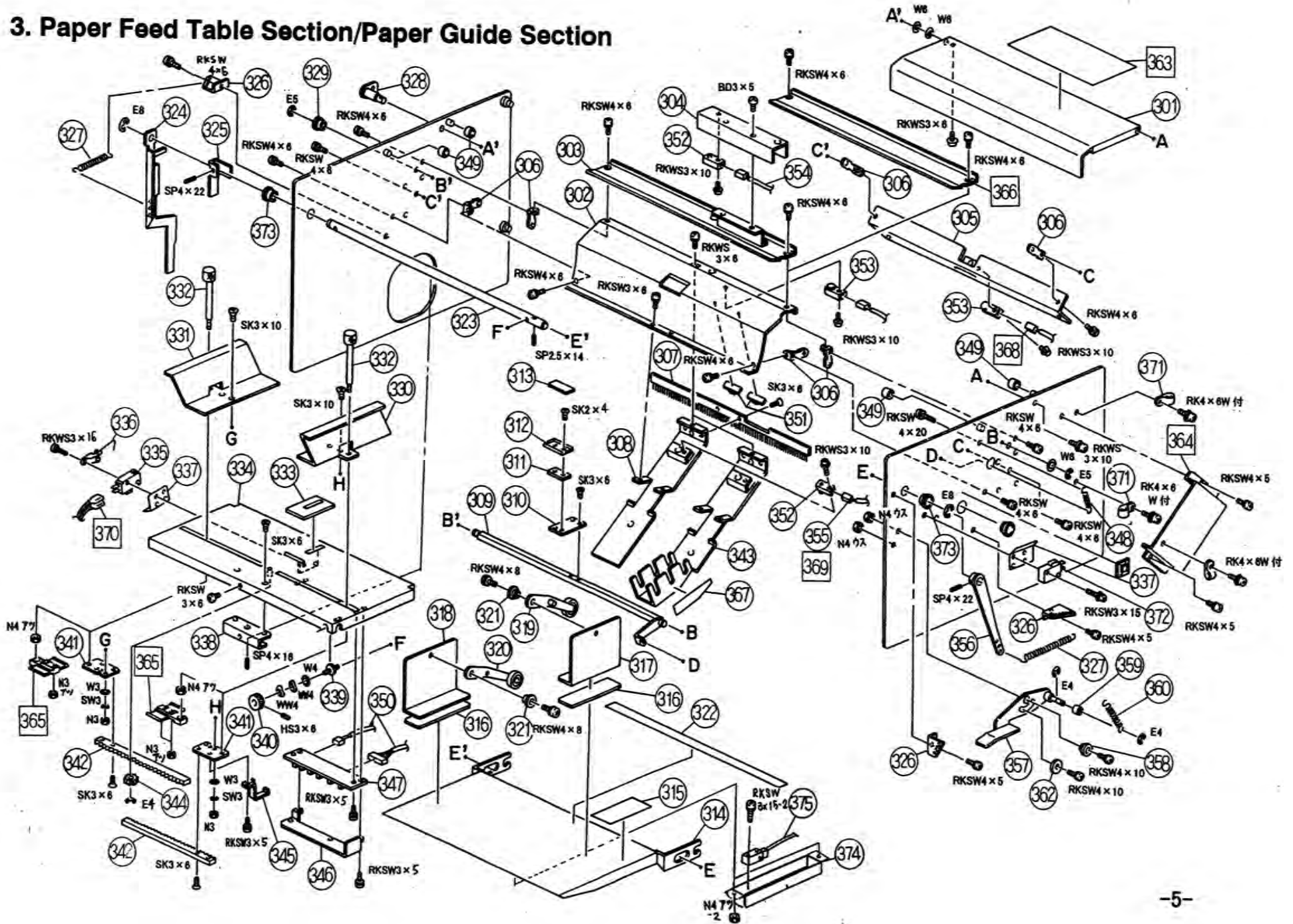
1. Exterior Section/Electrical Equipment Section I



2. Electrical Equipment Section II



3. Paper Feed Table Section/Paper Guide Section



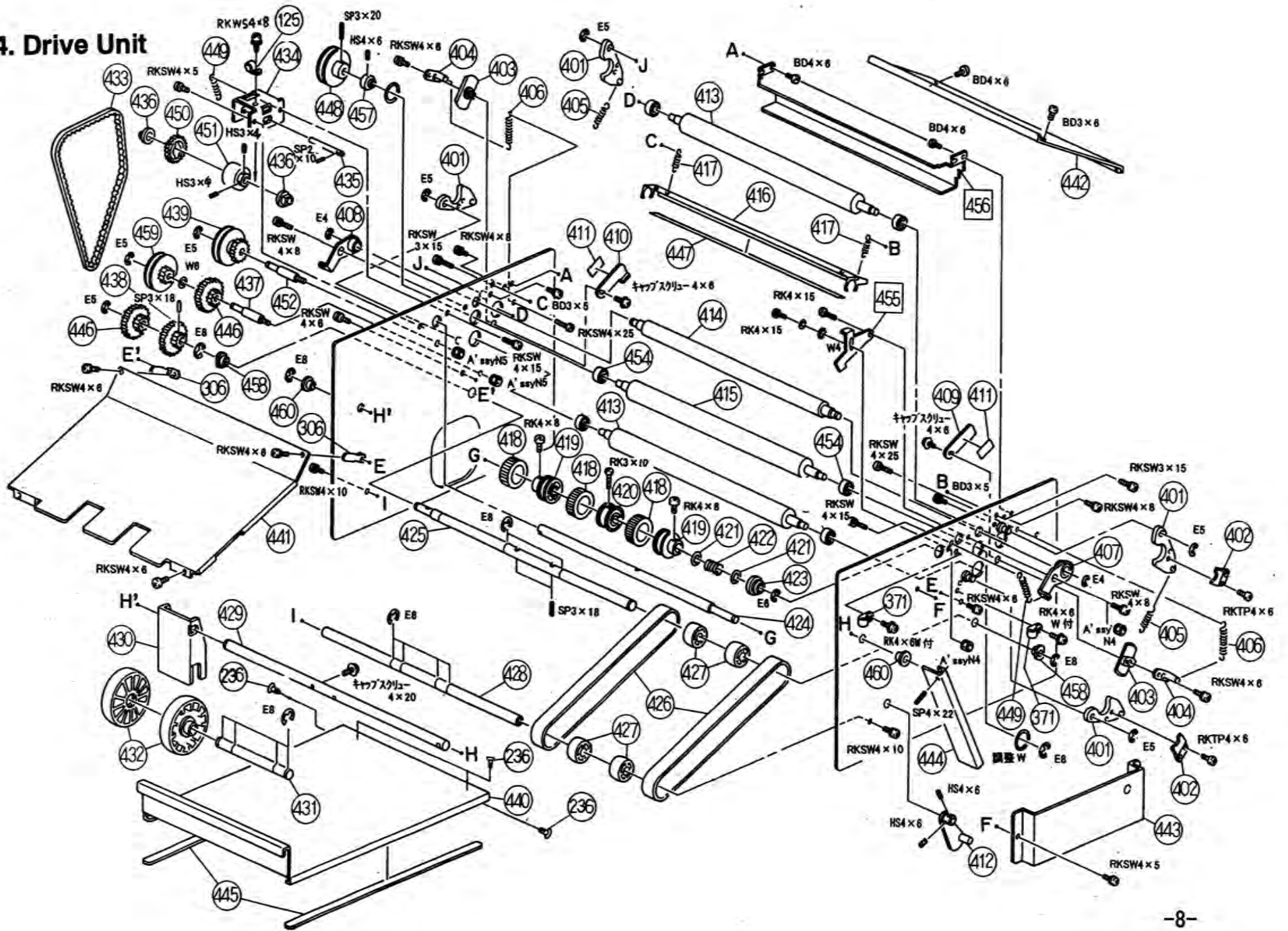
3. Paper Feed Table Section/Paper Guide Section

Fig. No.	Parts No.	Parts name	F45N	F43N	F30N	F15N	F25N	Remarks	Fig. No.	Parts No.	Parts name	F45N	F43N	F30N	F15N	F25N	Remarks
301	260501	Safety cover	1	1	1	1	1		325	260255	Table lever angle	1					
302	260241	Lower paper guide A'ssy	1	1					326	20075	Spring hook	1	2	2	2	2	
	260236	Lower paper guide A'ssy			1	1	1		327	20076	Table SP	1	1	1	1	1	
303	260244	Upper paper A'ssy	1	1					328	260544	Cover switch lever A'ssy	1	1	1	1	1	
304	260247	Paper feed photo cover	1	1					329	20040	? 6 metal	1	1	1	1	1	
305	260301	Photo sensor mounting tray	1	1	1	1	1		330	260215	Paper guide (right) A'ssy	1	1	1	1	1	
306	20222	Guide mounting angle A	6	6	6	6	6		331	260216	Paper guide (left) A'ssy	1	1	1	1	1	
307	260127	Static eliminator bar	1	1	1	1	1		332	260258	Paper guide knob	2	2	2	2	2	
308	260305	Upper paper ejection guide	1						333	20099	Brake rubber	1	1	1	1	1	
309A	260627	Separator shaft A'ssy	1	1	1	1	1	309-313	334A	260630	Paper feed table A'ssy	1	1				330-342,344-347
309	260237	Separator shaft	1	1	1	1	1			260631	Paper feed table A'ssy			1	1	1	330-340,365
310	20039	Separator holder	1	1	1	1	1		334	260208	Paper feed table	1	1				
311	70106	Separator spacer	1	1	1	1	1			260837	Paper feed table			1	1	1	
312	70105	Separator holder	1	1	1	1	1		335	20444	Microswitch	1	1	1	1	1	
313	70604	Paper separator	1	1	1	1	1		336	20426	Actuator	1	1	1	1	1	
314A	260628	Auxiliary table A'ssy	1	1	1	1	1	314,315,322	337	250155	Microswitch insulating plate	2	2	2	2	2	
	260629	Auxiliary table A'ssy for U.S.A.	1	1				314,315,322,374,375	338	260213	Paper feed table tray	1	1	1	1	1	
314	260226	Auxiliary table	1	1	1	1	1		339	20071	Paper feed slant adjuster	1	1	1	1	1	
	260262	Auxiliary table A'ssy for U.S.A.	1	1	1	1	1	for U.S.A.	340	20100	Slant adjustmen knob	1	1	1	1	1	
315	260261	Slant adjustment plate	1	1	1	1	1		341	260250	Rack holder	2	2				
316	20105	Rubber magnet	2	2	2				342	260251	Rack	2	2				
317A	20843	Auxiliary paper guide A'ssy	1	1	1			316,317,319,321	343	260304	Guide U paper ejection		1	1	1	1	
317	20103	Auxiliary paper guide (R)	1	1	1				344	260212	Paper guide slide guide gear	1	1				
318A	20844	Auxiliary paper guide (L) A'ssy	1	1	1			316,318,320,321	345	260249	Photograph sensor lever	1	1				
318	20104	Auxiliary paper guide (L)	1	1	1				346	260214	Paper detection board cover	1	1				
319	20203	Paper holder lever (R) A'ssy	1	1	1				347	260705	Paper detection board A'ssy(mm)	1	1				
320	20204	Paper holder lever (L) A'ssy	1	1	1					260706	Paper detection board A'ssy(inch)	1	1				for U.S.A.
321	20034	F roller holder	2	2	2				348	20041	Separatr SP	1	1	1	1	1	
322	260257	A3 scale	1	1	1	1	1		349	220114	Stopper rubber	4	4	4	4	4	
	53018	Gauge for paper guide	1	1	1	1	1	for U.S.A.		260765	Paper detection board (mm) with harness	1					
323	260220	Paper feed table shaft	1						350	260765A	Paper detection board (mm) with harness		1				
	20069	Paper feed table shaft		1	1	1	1			260766	Paper detection board (inch) with harness		1				for U.S.A.
324	260221	Table lever	1						351	20433	Wire sticker	2	2	2	2	2	

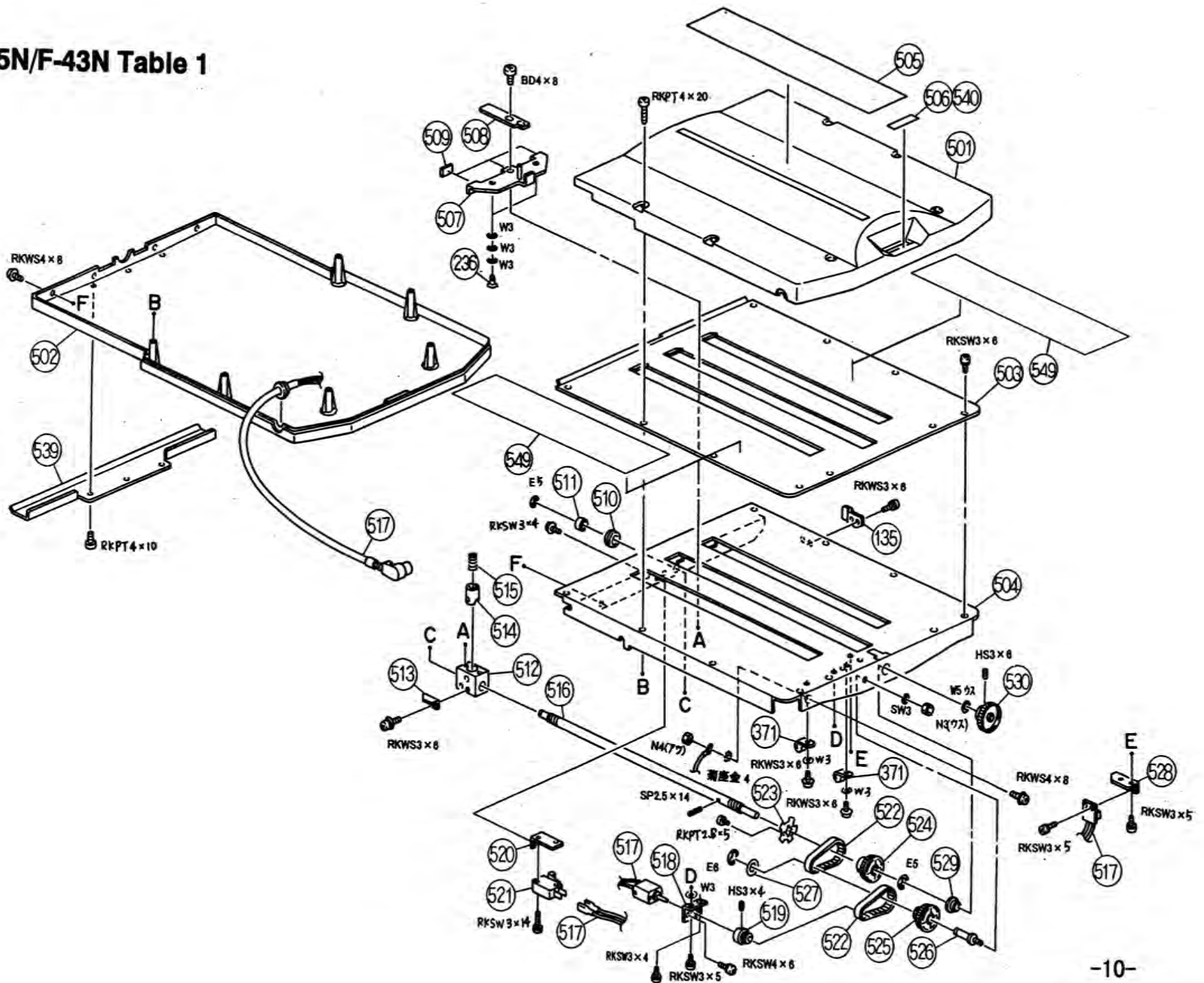
3. Paper Feed Table Section/Paper Guide Section

Fig. No.	Parts No.	Parts name	F45N	F43N	F30N	F15N	F25N	Remarks
352	260912	Paper feed luminous sensor	2	2	1	1	1	
353	260913	Paper feed light-intercepting sensor	2	2	1	1	1	
354	260752	Paper feed photo harness	1	1				
355	260753	Paper feed photo harness	1	1				
356	260254	Table lever A'ssy		1	1	1	1	
357A	260632	Paper feed table lever A'ssy		1	1	1	1	357-360,362
357	20077	Paper feed tavle lever		1	1	1	1	20078
358	215014	Table lever holder		1	1	1	1	
359	215015	Table lever roller		1	1	1	1	
360	20081	Paper feed table lever SP		1	1	1	1	
362	20080	Paper feed table lever holder		1	1	1	1	
363	260833	Separator identification plate				1		
364	260810	Wire stopper B			1	1	1	
365	260820	Guide			2	2	2	
366	20223	Upper paper guide A			1	1	1	
367	260527	Roller position indication		1	1	1	1	
	260548	Roller position indication		1	1	1	1	for U.S.A.
368	260926	Paper feed clutch harness A'ssy			1	1	1	
369	260927	Paper ejection photo sensor harness A'ssy			1	1	1	
370	260925	Paper micro harness A'ssy			1	1	1	
371	51062	Nylon clamp NK-4N	2	2				
372	100346	Micro switch		1				
373	20014	? 10 mental	2	2	2	2	2	
374	20189	Sensor cover	1	1	1	1	1	for U.S.A.
375	20442	Micro photo senser KR1207	1	1	1	1	1	for U.S.A.

4. Drive Unit



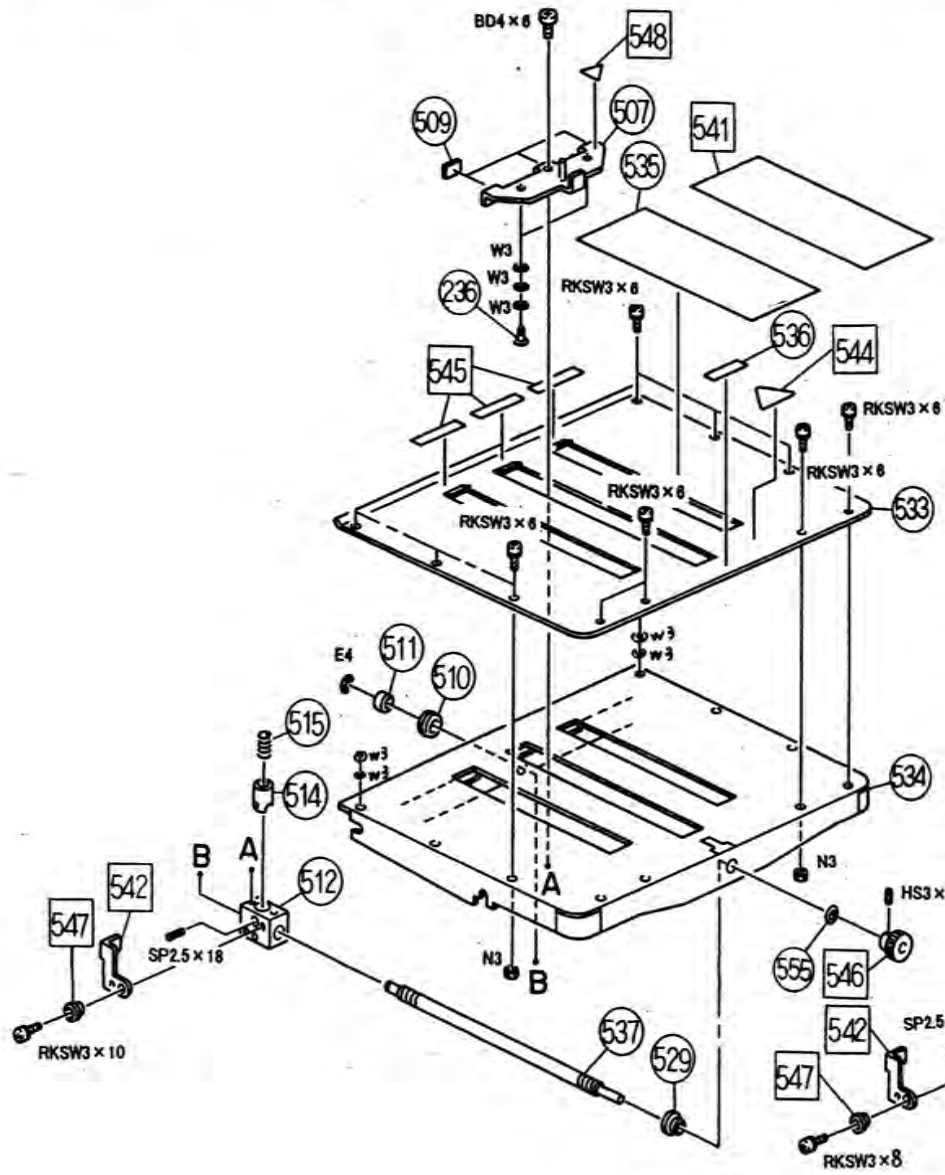
5. F-45N/F-43N Table 1



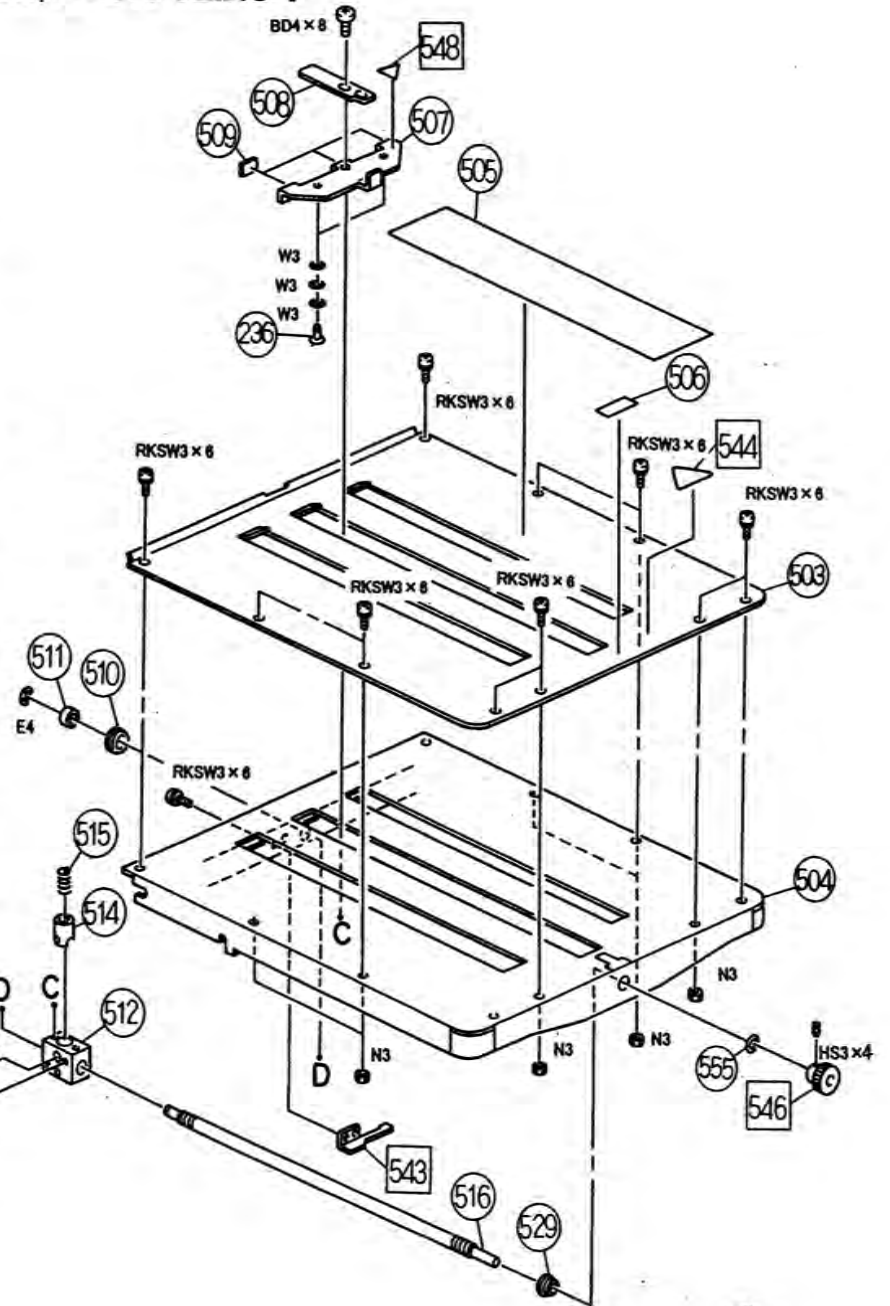
5. Table 1 and 2 Section

Fig. No.	Parts No.	Parts name	F45N	F43N	F30N	F15N	F25N	Remarks	Fig. No.	Parts No.	Parts name	F45N	F43N	F30N	F15N	F25N	Remarks	
501A	260635	Table 1 A'ssy	1	1				501-505,507-530,	514	20139	Half nut	2	2	2	1	2		
								539,540,549,371	515	20149	Halfnut SP	2	2	2	1	2		
									516	260406	Table 1 screw	1	1	1		1		
	260636	Table 2 A'ssy (for U.S.A.)	1	1					501-505,507-530,	517A	260648	Table 1 photo board harnessA'ssy	1	1				517-519
									539,540,549,371	517	260760	Table 1 photo board harness	1	1				
									503-505,507-512,	518	260409	Screw-operating motor mounting plate	2	2				
										519	260417	Motor pulley	2	2				
	260638	Table 1 A'ssy			1		1		514-516,529,540,	520	260423	Stopper original position LS tray	2	2				
									542,544,546-549	521	20425	Lead micro switch	2	2				
									503-505,507-512,	522	260418	Timing belt	4	4				
260639	Table 1 A'ssy (for U.S.A.)			1		1		514-516,529,540,	523	260412	Stopper shatter	2	2					
								542,544,546-549	524	260411	Stopper screw gear	2	2					
501	260429	Table 1 cover (upper)	1	1					525	260415	Idler pulley	2	2					
502	260430	Table 1 cover (bottom)	1	1					526	260414	Idler center	2	2					
503	260401	Table 1 (upper)	1	1	1		1		527	260416	Idler puller washer	2	2					
504	260402	Lower table 1	1	1					528	260420	Stopper board mounting plate	2	2					
	260816	Lower table 1			1		1		529	260408	Screw bearing	2	2	2	1	2		
505	260434	Table 1 folding position gauge	1	1	1		1		530	260428	Table fine adjustment knob (large)	2	2					
	260449	Inch size 1 folding gauge	1	1	1	1	1	for U.S.A.	531A	260650	Table 2 A'ssy	1	1				507,509-515,518-535,	
506	260445	Fine adjustment knob display 1	1	1	1		1			260651	Table2 A'ssy?(for U.S.A.)	1	1				537,538,540,549,371	
507A	260641	Table 1 stopper A'ssy	1	1				507-509,549										
	260642	Table 2 stopper A'ssy	1	1				507,509,549										
	260643	Table stopper A'ssy			1		1	507-509,548,549										
507	260644	Table stopper A'ssy			1	1	1	507,509,548,549										
	260424	Stopper plate	2	2				260426									507,509-512,514,515,	
508	260424	Stopper plate			2	1	2		260653	Table 2 A'ssy			1		1		529,533-535,537,540,	
	260425	Push plate	1	1	1		1										542,544-549	
509	260436	Stopper cushion rubber	6	6	6	3	6										507,509-512,514,515,	
510	20431	Glomet bush	2	2	2	1	2		260654	Table 2 A'ssy?(for U.S.A.)			1		1		529,533-535,537,540,	
511	20079	Guide push	2	2	2	1	2										542,544-549	
512A	260645	Stopper slider A'ssy	2	2				512-515	260656	Table 2 A'ssy					1		507,509-512,514,515,529,	
	260646	Stopper slider A'ssy			2	1	2	512,514,515,542,547									533-535,537,540-549	
512	260410	Stopper slider	2	2					260657	Table 2 A'ssy?(for U.S.A.)					1		507,509-512,514,515,529,	
	260836	Stopper slider			2	1	2										533-535,537,540-549	
513	20148	Stopper doc	2	2					531	260431	Table 2 cover up	1	1					

5. F-30N/F-25N/F-15N Table 2



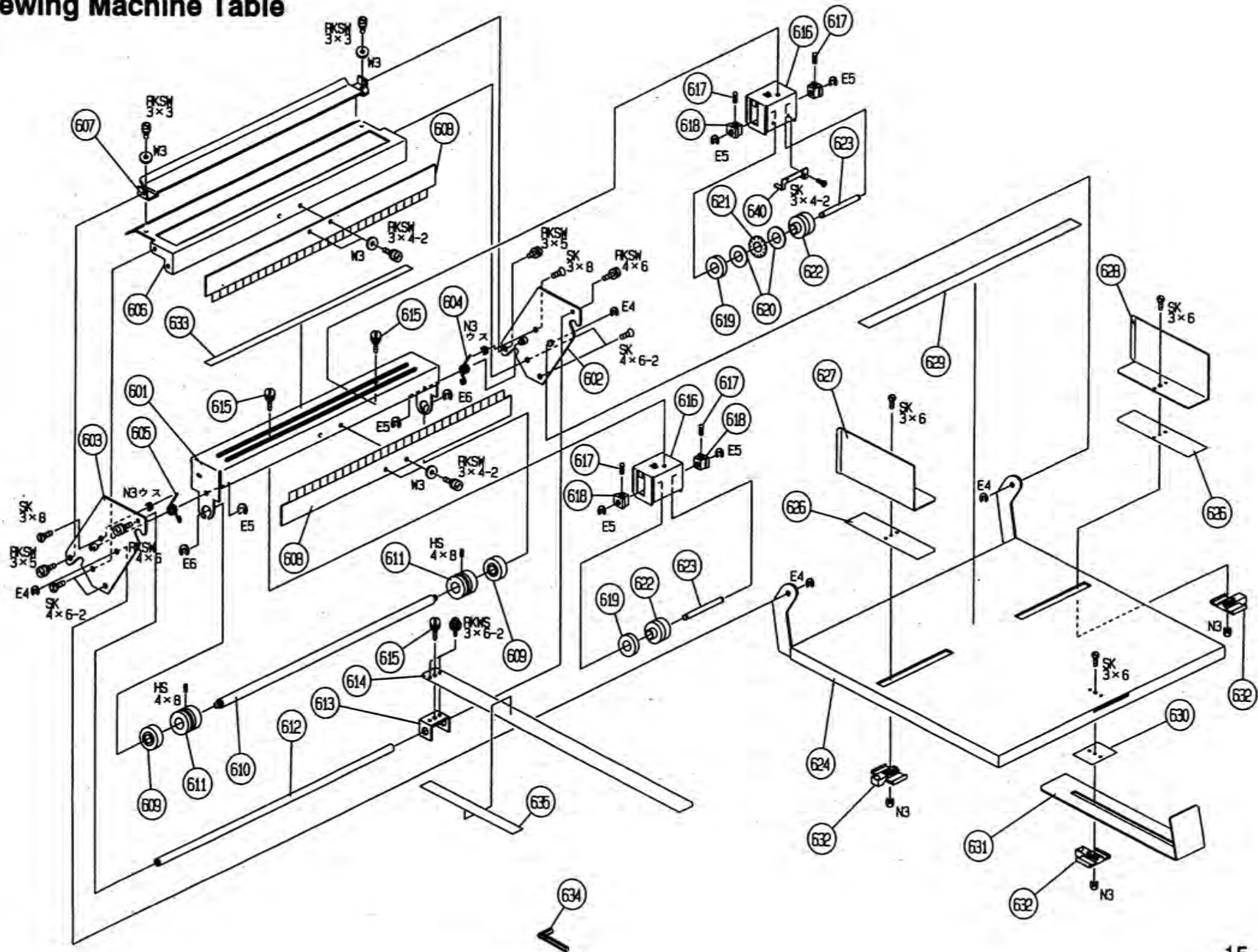
5. F-30N/F-25N Table 1



5. Table 1 and 2 Section

Fig. No.	Parts No.	Parts name	F45N	F43N	F30N	F15N	F25N	Remarks
532	260432	Lower table 2 cover	1	1				
533	260403	Upper table 2 cover	1	1	1	1	1	
534	260404	Lower table 2	1	1				
	260818	Lower table 2			1	1	1	
535	260435	Table 2 folding position gauge	1	1	1		1	
	260450	Inch size single folding gauge	1	1	1	1	1	for U.S.A.
536	260446	Fine adjustment knob display 2	1	1	1	1	1	
537	260407	Table 2 screw	1	1	1	1	1	
538A	260659	Table 2 photo board harness A'ssy	1	1				518,519,538
538	260761	Table 2 photo board harness	1	1				
539	260508	Roller cover	1	1				
540	260447	Fine adjustment knob indication for export	2	2	2	1	2	
541	260821	Table 2 folding position gauge				1		
542	260804	Halfnut lever			2	1	2	
543	260806	Table 1 stop plate				1		
544	100710	Hand caution label			2	1	2	
545	100707	Roller caution label			3	3	3	
546	260835	Fine adjustment knob			2	1	2	
547	260808	Halfnut lever collar			2	1	2	
548	20155	Fold position indication identification plate			2	1	2	
549	260452	Table 1 sheet	2	2				
550	260453	Table 2 sheet	2	2				
236	67034	Canoe clip	4	4	4	2	4	
371	51062	Nylon clump NK-4N	4	4				

6. Sewing Machine Table



6. Sewing Machine Table

Fig No.	Parts No.	Parts name	Qty	Remarks	Fig. No.	Parts No.	Parts name	Qty	Remarks
601	260955	Cutter slide angle	1		631	260958	Paper ejection guide plate	1	
602	260956	Sewing machine side plate (R)	1		632	55113	Guide	3	
603	260957	Sewing machine side plate (L)	1		633	53018	Gauge for paper guide	1	
604	260966	Slide angle return SP (R)	1		634	260972	Wrench bar 212-2J	1	
605	260967	Slide angle return SP (L)	1		635	260973	Caution label	1	
606	260952	Sewing machine table	1						
607	260959	Upper paper ejection guide	1						
608	20999	Static eliminating bar	2						
609	260961	Drive roller	2						
610	260965	Cutter base shaft	1		640	260970	Cutter cover	1	
611	260964	Cutter base roller	2						
612	260969	Ejected paper holder shaft	1						
613	260968	Ejected paper holder fixing angle	1						
614	20996	Paper ejection guide	1						
615	20978	Screw with knob	3						
616A	260660	Cutter holder A'ssy	2	616-623					
	260661	Cutter holder A'ssy (for U.S.A.)	1	616-623,640					
616	260954	Cutter holder	2						
617	145120	Tension SP scale	4						
618	145117	Bearing A	4						
619	20338	Knob	2						
620	20340	Washer for sewing machine cutter	2						
621	20339	Perforations wheel cutter (4mm)	1						
	20355	Perforations wheel cutter (2mm)	1						
622	260963	Cutter shaft holder roller	2	20353 2 pieces					
623	260962	Cutter roller shaft	2						
624	260960	Paper ejection table	1						
626	20993	Paper ejection guide PP	2						
627	20991	Paper ejection guide left	1						
628	20992	Paper ejection guide right	1						
629	20101	A3 scale	1						
630	20995	Paper ejection trai PP	1						