



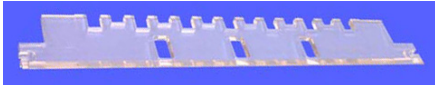





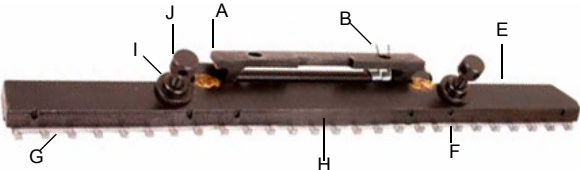







Replacement parts for: CHIEF 15, 115, 215, 17, 117, 217, 20, 22, 25/25 PROF,

	PART #		PART #	
	VARIABLE SPEED PULLEY 15, 17 115, 215, 117, 217	P-1629 (Gestetner) G-63E P-1627 (Gestetner) G-17E		LIFTING GEAR STUD For feeder ratchet 15, 115, 215, 117, 217 4" wide w/wide shoulder P-4519 4" wide w/thin shoulder P-4542
	V-BELTS 15, 17 (Motor to pump) 37" 15, 17 (Clutch to motor) 44" 15 (Clutch to drive shaft) 36" 17 (Clutch to drive shaft) 38"	P-4906 (Gestetner) G-6C P-4912 P-4905 P-4907 (Gestetner) G-27E		BLOWER TUBE BRACKET P-15168 (Gestetner) G-119G,G-128G *** Designed to fit both left and right hand sides.
	RUBBER SUCTION FOOT - X-series & Super Chief 2000 SUCKER FOOT (CUP)	P-5225 P-5204		UPPER PULLOUT FEED ROLLER P-15125 (Gestetner) G-17H
	SUCKER FOOT	P-5201 (Gestetner) G-229G		DOUBLE SHEET EJECTION ROLLER P-15273 (Gestetner) G-19H
	FLAT SUCKER FOOT	P-1552		PAPER RETAINER Center P-15433 (Gestetner) G-11S
	SUCKER TUBE HOLDER ASSEMBLY New style 15, 17 (A) Holder (B) Retainer clip (C) Screw (D) Set screw	P-15259 (Gestetner) G-16G P-15166 P-15227 P-137 P-864		CONVEYOR TAPE All models Cloth P-3900 Note: Tension can be adjusted by weights under conveyor.
	SHEET SEPARATOR (A) 15, 17 (B) X-Series & Super Chief	P-15114 P-52114		JOGGER SIDE GUIDE FEATHER SPRING Non-operators side R.H. P-15477 (Gestetner) G-16T Operators side L.H. P-15471 (Gestetner) G-11T
	SHEET SEPARATOR ASSEMBLY Complete (A) Screw (B) Washer (C) Sheet separator (D) Block (E) Plate (F) Screw (not shown) (G) Thumb screw	P-50112 P-293 P-573 P-52114 P-50113 P-50121 P-215 P-1019		COUNTER (no lever) 15 P-36954 (Gestetner) G-20K 17 P-27954 COUNTER ARM P-15956 (Gestetner) G-19K
	TIMING BELTS For feeder on X-Series & Super Chief 2000. Also for Davidson 500, 700 3/4" wide X 22-1/2" long 3/8" wide X 15" long	P-1662 P-4965		PAPER STOP By impression cylinder P-15383
	ELEVATOR HANDLE ASSEMBLY Table raise X-Series & Super Chief 2000	P-50955		ADJUSTING ARM For paper stop P-15853
	KNOB STUD For chain delivery & feed table handwheel	P-4521		PAPER STOP ARM ASSEMBLY P-15399
	FEEDER GUIDE Operators side & non-operators side	P-15048		FEELER FINGER P-15141 (Gestetner) G-55R (Gestetner) G-OW142



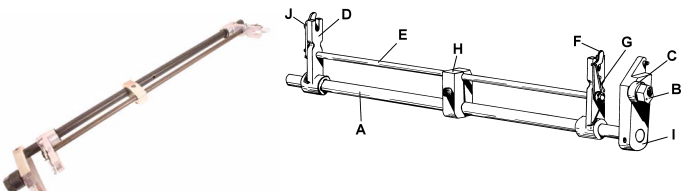


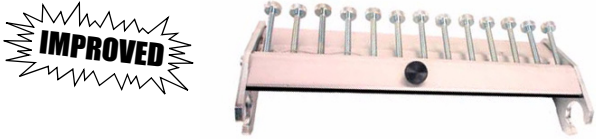
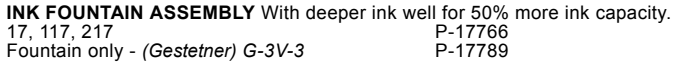


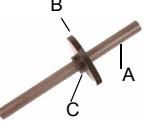




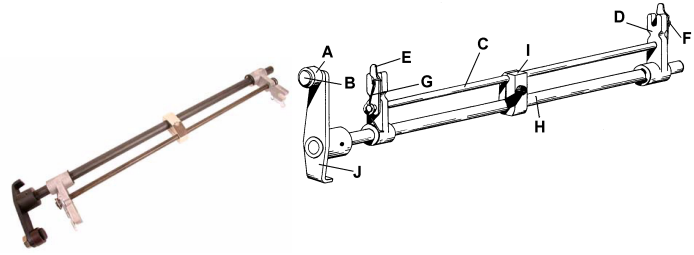
THIS IS JUST A SAMPLE OF OUR TOTAL INVENTORY

126, Super Chief 2000, X-Series • GESTETNER 115/117G, 211, 213, 311, 312, 313

PART #	
	
PAPER DEFLECTOR 15,17,115,117,215,217	P-15241 (Gestetner) G-52R
PAPER DEFLECTOR X-Series, Super Chief	P-255241
SCREW	P-44
<hr/>	
	GRIPPER LEVER ASSEMBLY P-15207 (Gestetner) G-3M & G-E14AØ59
<hr/>	
	GRIPPER FINGER SUPPORT ASSEMBLY P-15187
<hr/>	
	CLAMP LOCK For plate cylinder P-115807
<hr/>	
	
RETAINING BAR (20 point) Master cylinder 15N.S. & 17 O.S./N.S.	P-15746
<hr/>	
	TENSION GUIDE ARM SCREW For plate cylinder P-11468
<hr/>	
	
TAIL CLAMP ASSEMBLY - X-Series & Super Chief 2000	
Complete	P-255367
(A) Clamp bracket	P-255729
(B) Spring	P-255724
(C) Retaining ring (not shown)	P-669
(D) Shaft (not shown)	P-255793
(E) Pin bar clamp	P-255341
(F) Screw	P-836
(G) Pin bar (8 point)	P-255323
(H) Pin bar (10 point)	P-255739
(I) Thumb nut	P-11549
(J) Thumb screw	P-11498
<hr/>	
	DRIVE & PUMP TOGGLE SWITCH 15, 17 O.S. & N.S. P-15305
	DRIVE & PUMP ROCKER SWITCH P-15826
<hr/>	
	RELAY P-4833

PART #	
	
PLATE CYLINDER GEAR 15, 17, (14-1/2° PA)	P-15313 (Gestetner) G-3P
115, 117, 215, 217 (20° PA)	P-115313
<hr/>	
	
BLANKET CYLINDER GEAR 15, 17 (14-1/2° PA)	P-15214 (Gestetner) G-3N
115, 117, 215, 217 (20° PA)	P-115214
115, 117, 215, 217 (20° PA)	P-115191
<hr/>	
	
SPRING ASSEMBLY Impression cylinder arm 15, 17 X-Series & Super Chief 2000	
Complete	P-15205
Clip	P-6088
Spring	P-15213
<hr/>	
	
DRIVE SHAFT 15, 17	P-15583
115, 117, 215, 217	P-115583
<hr/>	
	
INTERMEDIATE DRIVE GEAR 15,17 (14-1/2° PA)	P-15865 (Gestetner) G-64R
115,117,215,217 (20° PA)	P-15457 (Gestetner) G-E14H115,G-58L P-115854
<hr/>	
	
DRIVE GEAR For X-Series	P-255854
<hr/>	
	
CLUTCH PULLEY REPAIR KIT 15, 17, 115, 117, 215, 217	
Complete	P-15564
Pulley cover	P-15617 (Gestetner) G-35E
Shaft	P-15614 (Gestetner) G-33E
Weights (set of 4 only)	P-12593 (Gestetner) G-37E
V-Belt - 44"	P-4912
V-Belt - 37"	P-4906 (Gestetner) G-6C
Spring	P-15591 (Gestetner) G-36E
Bearing (need 2)	P-774 (Gestetner) G-3U
Key	P-550 (Gestetner) G-ØWØ62
<hr/>	
	
WATER CAM ASSEMBLY Complete P-15262 (Gestetner) G-170UA	
Cam	P-15363 (Gestetner) G-9U, G-170U
Water pawl	P-15268 (Gestetner) G-163U
Pawl spring	P-15267 (Gestetner) G-LØØ4058
Ink pawl	P-15355 (Gestetner) G-66V
<hr/>	
	
WATER STOP 15, 17, 115, 117, 215, 217	
X-Series & Super Chief 2000 1st. & 2nd. head	P-30379
(Uses 16)	P-5096

Replacement parts for: CHIEF 15, 115, 215, 17, 117, 217, 20, 22, 25/25 PROF,

PART #		PART #	
	FRICITION BEARING For water fountain roller 15, 17 P-5525 (Gestetner) G-157U		WORM GEAR ASSEMBLY Inker unit P-15446 (Gestetner) G-192V
			INK IDLER GEAR P-15455
			OSCILLATING WORM Ink & water P-15464 (Gestetner) G-134V
			DOG Ink P-15463 (Gestetner) G-138V
			
WATER DUCTOR ASSEMBLY - 15, 115, 215, 17, 117, 217 Complete (A) Shaft (B) Stud (C) Cam roller (D) Arm (E) Yoke shaft (F) Latch (G) L.H. Spring (H) Center pivot (I) Lever arm (J) R.H. Spring	P-15424 (Gestetner) G-443 P-15540 (Gestetner) G-161U-S P-4500 P-1450 P-15607 (Gestetner) G-21U2 P-15340 (Gestetner) G-2Ø42 P-15551 (Gestetner) G-60U, G-91V P-15336 (Gestetner) G-62U, G-93V P-15322 (Gestetner) G-161UP P-15344 (Gestetner) G-83VA P-15331 (Gestetner) G-61U, G-ØU56	*** DESIGNED WITH REPLACEABLE END CAPS. INK FOUNTAIN ASSEMBLY 15, 115, 215 - (Gestetner) G-E31H477 Fountain only - (Gestetner) G-70V	P-15071 P-15072
			INK FOUNTAIN ASSEMBLY With deeper ink well for 50% more ink capacity. 17, 117, 217 Fountain only - (Gestetner) G-3V-3
		THUMB SCREW	P-11474
			
WASH UP BLADE Black rubber 15 O.S. (11" X 11/16") Tan 15, 17, (11-3/8" X 1-1/2") 215, 217 (11 X 2-1/8") XL, Super Chief 1st. head (13-3/4" X 1-1/8") XL, Super Chief 2nd. head (13-3/4" X 2-1/16")	C-2167H-32 C-2171D-524 P-30309 P-30238 P-30217	INK FOUNTAIN BLADE 15, 115, 215 17, 117, 217 Bigger blade for deeper ink well.	P-15079 (Gestetner) G-73V P-17233 (Gestetner) G-11V2
		Note: * Due to the variations of ink fountains it may be necessary to file the side of the blade stamped "O" for a perfect fit.	
	WATER FOUNTAIN SHAFT & RATCHET 15, 17 115, 117, 215, 217 (A) Shaft 15, 17 (A) Shaft 115, 117 215, 217 (B) Ratchet (C) Pin	P-15402 P-115402 P-15371 P-115371 P-15370 P-381	
	SHAFT For water form roller 15, 17, 115, 117, 215, 217	P-15378 (Gestetner) G-15ØU	
	WATER DUCTOR LEVER SPRING P-15549		
	CAM ROLLER Water oscillator arm P-5831 (Gestetner) G-129U		
	TIMING BELT 17, 117 (water) 215, 217 (second water head)	P-1660 (Gestetner) G-5R2 P-1654	
			
		INK DUCTOR ASSEMBLY Complete (A) Cam roller (B) Stud (C) Yoke shaft (D) Arm (E) Latch (F) R.H. Spring (G) L.H. Spring (H) Shaft (I) Center pivot (J) Lever arm	P-15690 P-1431 (Gestetner) G-85V P-8096 (Gestetner) G-86V P-15550 (Gestetner) G-89V P-15572 (Gestetner) G-F14V012 P-15551 (Gestetner) G-60U P-15331 (Gestetner) G-61U P-15336 (Gestetner) G-62U P-15332 P-15322 (Gestetner) G-161UP P-15334 (Gestetner) G-83VA

THIS IS JUST A SAMPLE OF OUR TOTAL INVENTORY

126, Super Chief 2000, X-Series • GESTETNER 115/117G, 211, 213, 311, 312, 313

PART #



CONNECTING LINK BAR For chain delivery
15, 17, 115, 117, 215, 217

P-151596
(Gestetner) G-120CP



ARM EXTENSION ASSEMBLY For chain pile delivery
15, 17, 115, 117, 215, 217

P-151597



DELIVERY ROLL GRIPPER

P-15644
(Gestetner) G-OW138
(Gestetner) G-33Q



BACK STOP STRIPPER For chain delivery
P-152280



GRIPPER SUPPORT

P-15586



GRIPPER CHAINS (set of 2)

15, 17, 115, 117, (Super Chief 2000 & X-Series 1st. head)

P-8945
(Gestetner) G-548C3
G-E1ØA323

215, 217, (X-Series & Super Chief 2nd. head)
22

P-8949
P-8969



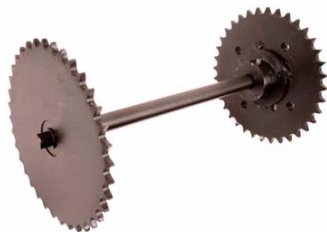
CONNECTING LINK

P-8700



PICK UP CAM ASSEMBLY To open gripper bars

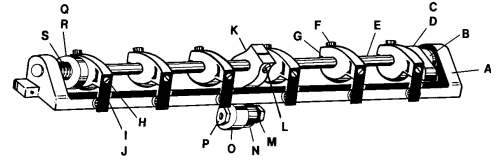
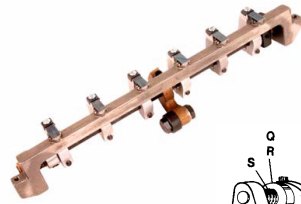
P-151240
(Gestetner) G-511C3



SPROCKET & SHAFT ASSEMBLY Chain delivery
15, 17, 115, 117, 215, 217

P-151160
(Gestetner) G-113CP
G-E1ØA157, G-E1ØA287

PART #



GRIPPER BAR ASSEMBLY

*** Anvil is made of reinforced cast zinc which prevents bowing and lasts longer.

- | | |
|---|-----------------------------------|
| Complete | P-150990
(Gestetner) G-125CP |
| (A) Anvil | P-151090
(Gestetner) G-126CP |
| (B) Retaining ring | P-670 |
| ** Gripper shaft assembly (C) - (E) | P-151010 |
| (C) Stop block | P-151063 |
| (D) Roll pin | P-376 |
| (E) Shaft | P-151060 |
| (F) Cap screw | P-40 |
| (G) Gripper holder | P-151061 |
| (H) Screw | P-187
(Gestetner) G-HS158 |
| (I) Hold down clip | P-151062
(Gestetner) G-HW307 |
| (J) Gripper finger | P-151020
(Gestetner) G-HW306 |
| ** Gripper operating lever assembly (K) - (P) | P-151040 |
| (K) Gripper operating lever | P-151041
(Gestetner) G-E10A173 |
| (L) Cap screw | P-39
(Gestetner) G-CS42U |
| (M) Hex nut | P-479
(Gestetner) G-L0HT051 |
| (N) Lock washer | P-627 |
| (O) Cam roller | P-1424
(Gestetner) G-L0HW309 |
| (P) Shoulder screw | P-8037
(Gestetner) G-L0HS159 |
| (Q) Collar (comes with set screw) | P-98137 |
| (R) Set screw | P-2 |
| (S) Spring | P-151080
(Gestetner) G-L0HU124 |

GRIPPER BAR REPAIR KIT - Super Chief 2000 & X-Series
Consists of (B - D, F - P, Q, & S) P-30736



REPAIR KITS

HAS YOUR PRESS EVER BEEN DOWN DUE TO A SIMPLE PIN OR SPRING?
YOU CAN ELIMINATE COSTLY DOWN TIME IN MINUTES WITH YOUR OWN EMERGENCY KIT DESIGNED TO CONVENIENTLY FIT IN YOUR DESK DRAWER.

EACH KIT COMES IN IT'S OWN MULTI-COMPARTMENT RECLOSABLE BOX FOR QUICK, EASY SELECTION AND STORAGE. PART NUMBERS FOR THE INDIVIDUAL ITEMS ARE ALSO INCLUDED INSIDE.

- | | |
|-------------------|--------------------|
| MASTER KIT | P-1765 - 880 pcs. |
| JUNIOR KIT | P-31136 - 432 pcs. |
| NUT KIT | P-1763 - 60 pcs. |
| WASHER KIT | P-1764 - 68 pcs. |
| SCREW KIT | P-1760 - 376 Pcs. |
| RING KIT | P-1761 - 100 pcs. |
| PIN KIT | P-1762 - 180 pcs. |
| SPRING KIT | P-30326 - 96 pcs. |